

## Excellent Integrated System Limited

Stocking Distributor

Click to view price, real time Inventory, Delivery & Lifecycle Information:

[Molex Connector Corporation](#)  
[0439382202](#)

For any questions, you can email us directly:

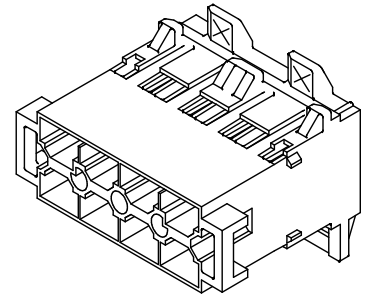
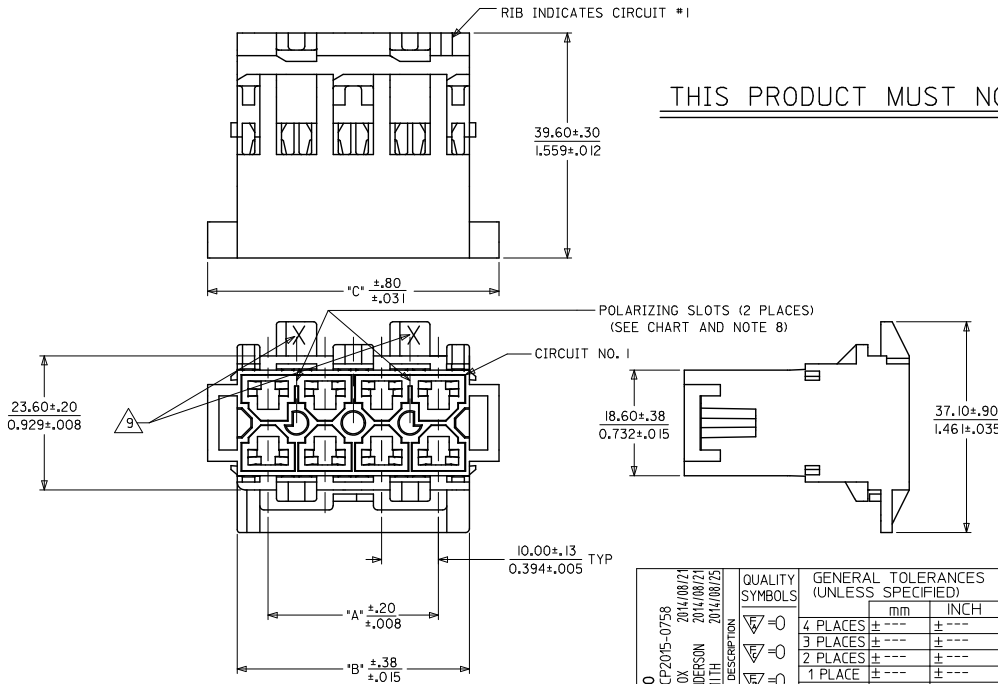
[sales@integrated-circuit.com](mailto:sales@integrated-circuit.com)

MATERIAL NUMBER	POSITION NUMBER	DIM. 'A'	DIM. 'B'	DIM. 'C'	QUANTITY OF POLARIZING SLOTS	PANEL THICKNESS ACCOMMODATED
43938-2201	6	20.00 .787	30.90 1.216	41.30 1.626	1	1.30/1.76 .051/.069
43938-2202	8	30.00 1.181	40.90 1.610	51.30 2.020	2	
43938-2203	10	40.00 1.575	50.90 2.004	61.30 2.413	2	
43938-2204	12	50.00 1.968	60.90 2.398	71.30 2.807	2	
43938-2205	14	60.00 2.362	70.90 2.791	81.30 3.201	2	

**NOTES:**

1. MATERIAL: UNFILLED POLYESTER, U.L. 94V-0, COLOR: BLACK
2. FINISH: NONE
3. PRODUCT SPEC: PS-42815-001
4. THIS PART IS DESIGNED TO USE MALE CRIM PTERMINAL #42817
5. THIS PART IS DESIGNED TO USE T.P.A. #43980
6. THIS PART IS DESIGNED TO MATE WITH RECEPTACLE HOUSING #43914
7. SEE SHEET 2 FOR PANEL CUT-OUT DETAILS
8. POLARIZING SLOTS TO BE LOCATED BETWEEN CIRCUITS ON EITHER END OF HOUSING OF THE CIRCUIT 1 ROW AS SHOWN.  
EXCEPTION: THE 6 CIRCUIT HOUSING WILL HAVE A SINGLE SLOT ON THE CIRCUIT 1 END ONLY
9. AN "X" IS ENGRAVED AS SHOWN TO DESIGNATE THAT THE PART ACCOMMODATES A 1.30/1.76 PANEL THICKNESS
10. PARTS TO BE PACKAGED: 6-10 CKT PER PK-43938-001, 12-14 CKT PER PK-45286-002

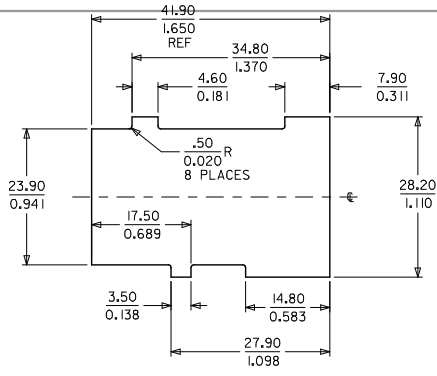
**THIS PRODUCT MUST NOT BE USED WITHOUT THE T.P.A.**



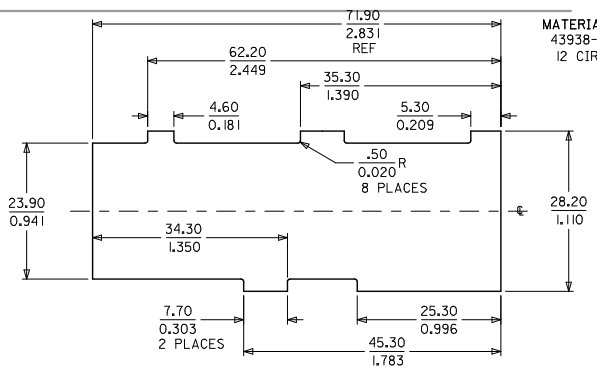
<b>NOTE 10</b> EC NO: UCP2015-0758 DRAWN BY: JDFOX CHKD BY: BANDERSON APPROVED BY: SMITH DATE: 2014/08/21 DATE: 2014/08/21 DATE: 2014/08/25	<b>QUALITY SYMBOLS</b> ∇=0 ∇=0 ∇=0	<b>GENERAL TOLERANCES (UNLESS SPECIFIED)</b>		<b>DIMENSION STYLE</b> IN/MM		SCALE 2:1	DESIGN UNITS INCH	THIRD ANGLE PROJECTION	
		4 PLACES ± --- ± ---	mm	INCH	DRAWN BY	DATE	<b>TITLE</b> DUAL ROW PANEL MOUNT PLUG, 6-14 CIRCUIT, MINI-FIT SR. SERIES 		
		3 PLACES ± --- ± ---	mm	INCH	CHECKED BY	DATE			
		2 PLACES ± --- ± ---	mm	INCH	BANDERSON	2014/08/21			
1 PLACE ± --- ± ---	mm	INCH	APPROVED BY	DATE					
0 PLACE ± --- ± ---	mm	INCH	SMITH	2014/08/25	<b>MATERIAL NO.</b> SEE CHART		<b>DOCUMENT NO.</b> SD-43938-003		
ANGULAR ±1/2° DRAFT WHERE APPLICABLE MUST REMAIN WITHIN DIMENSIONS		SIZE C		THIS DRAWING CONTAINS INFORMATION THAT IS PROPRIETARY TO MOLEX INCORPORATED AND SHOULD NOT BE USED WITHOUT WRITTEN PERMISSION					

13 12 11 10 9 8 7 6 5 4 3 2 1

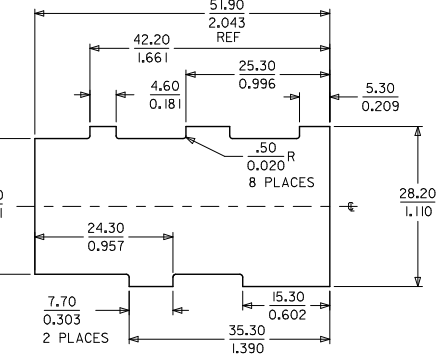
J  
I  
H  
G  
F  
E  
D  
C  
B  
A



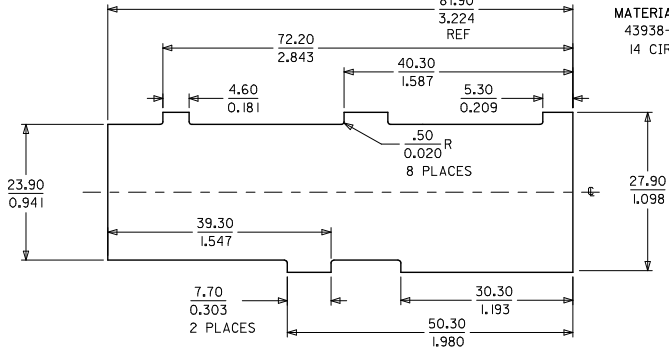
MATERIAL NO.:  
43938-2201  
6 CIRCUIT



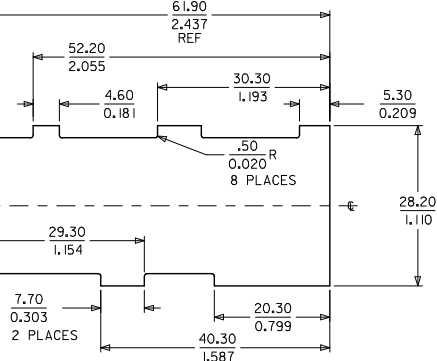
MATERIAL NO.:  
43938-2204  
12 CIRCUIT



MATERIAL NO.:  
43938-1102  
43938-2202  
8 CIRCUIT



MATERIAL NO.:  
43938-2205  
14 CIRCUIT



MATERIAL NO.:  
43938-2203  
10 CIRCUIT

PANEL OPENINGS SHOWN FROM OUTSIDE OF BOX.  
SEE CHART FOR PANEL THICKNESS.

SEE SHEET 1 EC NO: UCP2015-0758 DRAWN BY: JDFOX 2014/08/21 CHECKED BY: CHIKBANDERSON 2014/08/21 APPROVED BY: FSMITH 2014/08/25	QUALITY SYMBOLS	GENERAL TOLERANCES (UNLESS SPECIFIED)	DIMENSION STYLE	SCALE	DESIGN UNITS	THIRD ANGLE PROJECTION	
		mm INCH	IN/MM	2:1	INCH		
		4 PLACES ± --- ± ---	DRAWN BY: JDFOX DATE: 2014/08/21	TITLE	DUAL ROW PANEL MOUNT PLUG, 6-14 CIRCUIT, MINI-FIT SR. SERIES <b>molex</b>		
		3 PLACES ± --- ± ---	CHECKED BY: BANDERSON DATE: 2014/08/21				
	2 PLACES ± --- ± ---	APPROVED BY: FSMITH DATE: 2014/08/25					
	1 PLACE ± --- ± ---						
	0 PLACE ± --- ± ---						
		ANGULAR ±1/2°	MATERIAL NO.	DOCUMENT NO.	SHEET NO.		
		DRAFT WHERE APPLICABLE MUST REMAIN WITHIN DIMENSIONS	SEE CHART	SD-43938-003	2 OF 2		
			THIS DRAWING CONTAINS INFORMATION THAT IS PROPRIETARY TO MOLEX INCORPORATED AND SHOULD NOT BE USED WITHOUT WRITTEN PERMISSION				

12 11 10 9 8 7 6 5 4 3 2 1