

Excellent Integrated System Limited

Stocking Distributor

Click to view price, real time Inventory, Delivery & Lifecycle Information:

[Molex Connector Corporation](#)
[0441570001](#)

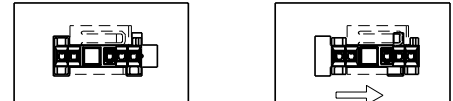
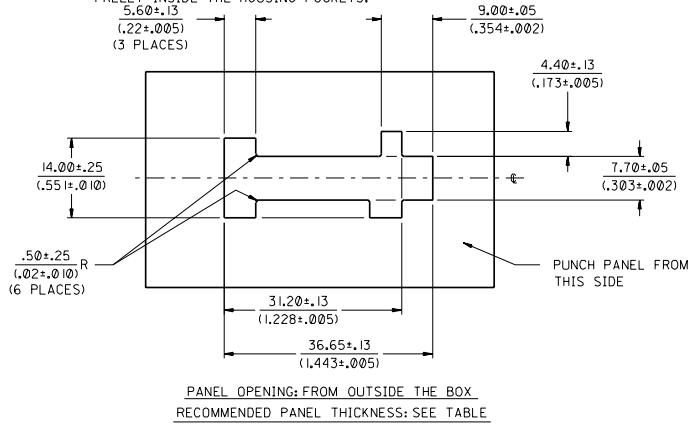
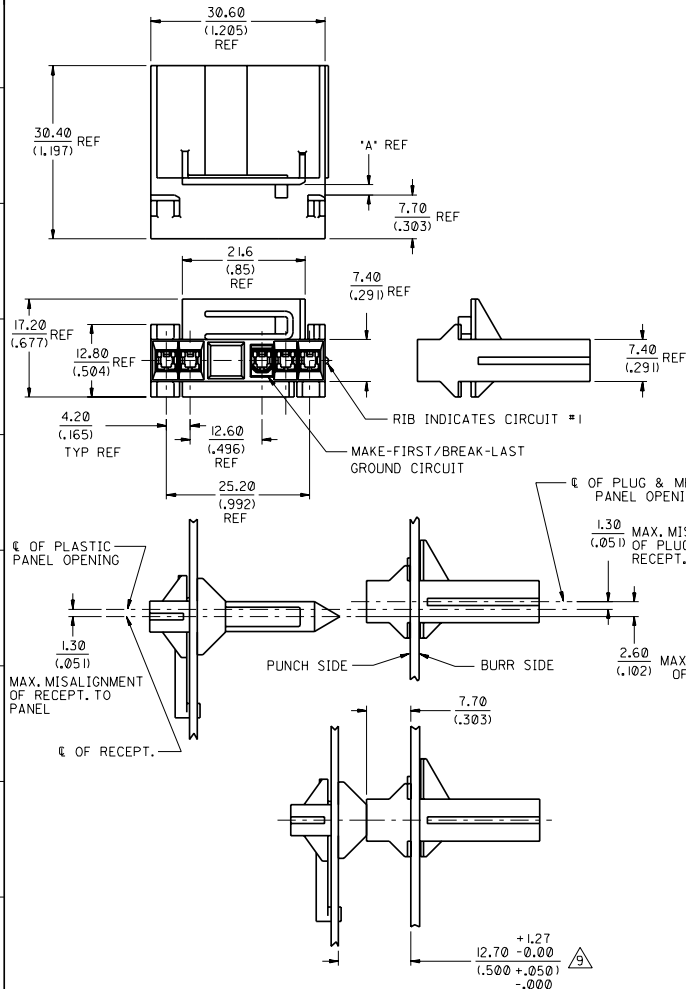
For any questions, you can email us directly:

sales@integrated-circuit.com

MATERIAL NO.	HOUSING VERSION	*A DIMENSION	PANEL THICKNESS	PANEL TYPE
44157-0001	PANEL MOUNT PLUG	1.80/(.071)	1.60±.05 (.063±.002)	SHEET METAL
44157-0002	PANEL MOUNT PLUG	1.40/(.055)	1.20±.03 (.047±.001)	SHEET METAL

NOTES:

- MATERIAL: HOUSINGS: NYLON, UNFILLED, UL 94V-0. COLOR: NATURAL
TERMINAL: HIGH CURRENT COPPER ALLOY.
- FINISH: OVERALL TIN PLATE.
- PRODUCT SPEC.: NONE
- DIMENSIONS GIVEN ACROSS C'S ARE SYMMETRICAL ABOUT THOSE C'S WITHIN HALF THE TOTAL TOLERANCE.
- THIS PLUG IS DESIGNED TO BE USED WITH MALE TERMINAL 44478-2.
- THIS PLUG IS DESIGNED TO MATE WITH FLOATING RECEPTACLE NO. 44156-0001.
- THIS PLUG IS DESIGNED TO BE USED WITH VARIOUS PANEL THICKNESSES.
- ASSEMBLIES ARE NOT TO BE MATED OR UNMATED WHILE CIRCUITS ARE LIVE.
- A MAXIMUM TOLERANCE OF 1.20/(.050) ALLOWS FOR 2 POINTS OF CONTACT. A MAXIMUM TOLERANCE OF .51/(.020) ALLOWS FOR 4 POINTS OF CONTACT.
- WIRES ARE TO BE DRESSED IN SUCH A MANNER TO ALLOW THE TERMINALS TO FLOAT FREELY INSIDE THE HOUSING POCKETS.



- INSERT PLUG THRU POLARIZED SLOTS FROM REAR OF PANEL.
- SLIDE TO RIGHT UNTIL LATCH ENGAGES SLOT IN PANEL.

PANEL MOUNTING INSTRUCTIONS

FULL SCALE

REV	DESCRIPTION	QUALITY SYMBOLS	GENERAL TOLERANCES: (UNLESS SPECIFIED)		SCALE	DESIGN UNITS	THIRD ANGLE PROJECTION	DIMENSIONS:			SHT	REV
			mm	INCH				mm	INCH	mm		
4 PLACES	±0.---	±.---			2	mm	<input checked="" type="checkbox"/>	<input type="checkbox"/>	<input type="checkbox"/>	<input type="checkbox"/>		
3 PLACES	±0.---	±.---										
2 PLACES	±0.---	±.---										
1 PLACE	±0.---	±.---										
			ANGULAR: ± --- °									
DRAFT WHERE APPLICABLE MUST REMAIN WITHIN DIMENSIONS						THIS DRAWING CONTAINS INFORMATION THAT IS PROPRIETARY TO MOLEX INCORPORATED AND SHOULD NOT BE USED WITHOUT WRITTEN PERMISSION.						