

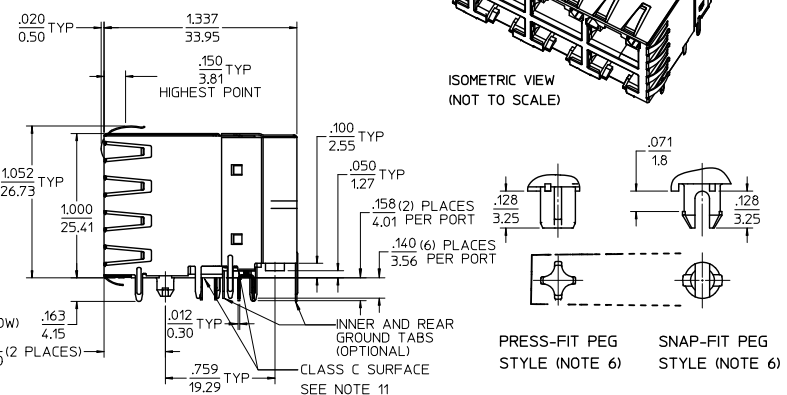
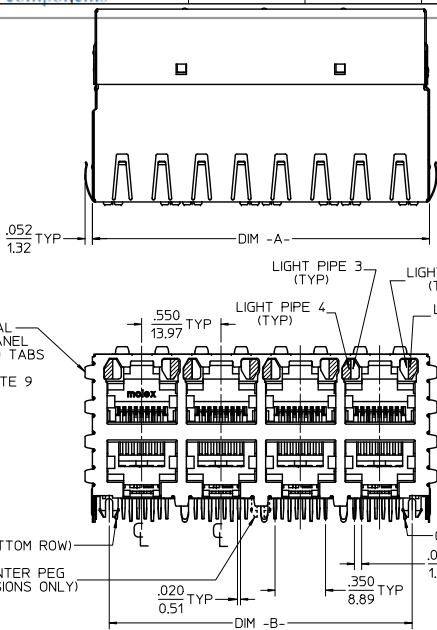
## **Excellent Integrated System Limited**

Stocking Distributor

Click to view price, real time Inventory, Delivery & Lifecycle Information:

[Molex Connector Corporation](#)  
[0441700006](#)

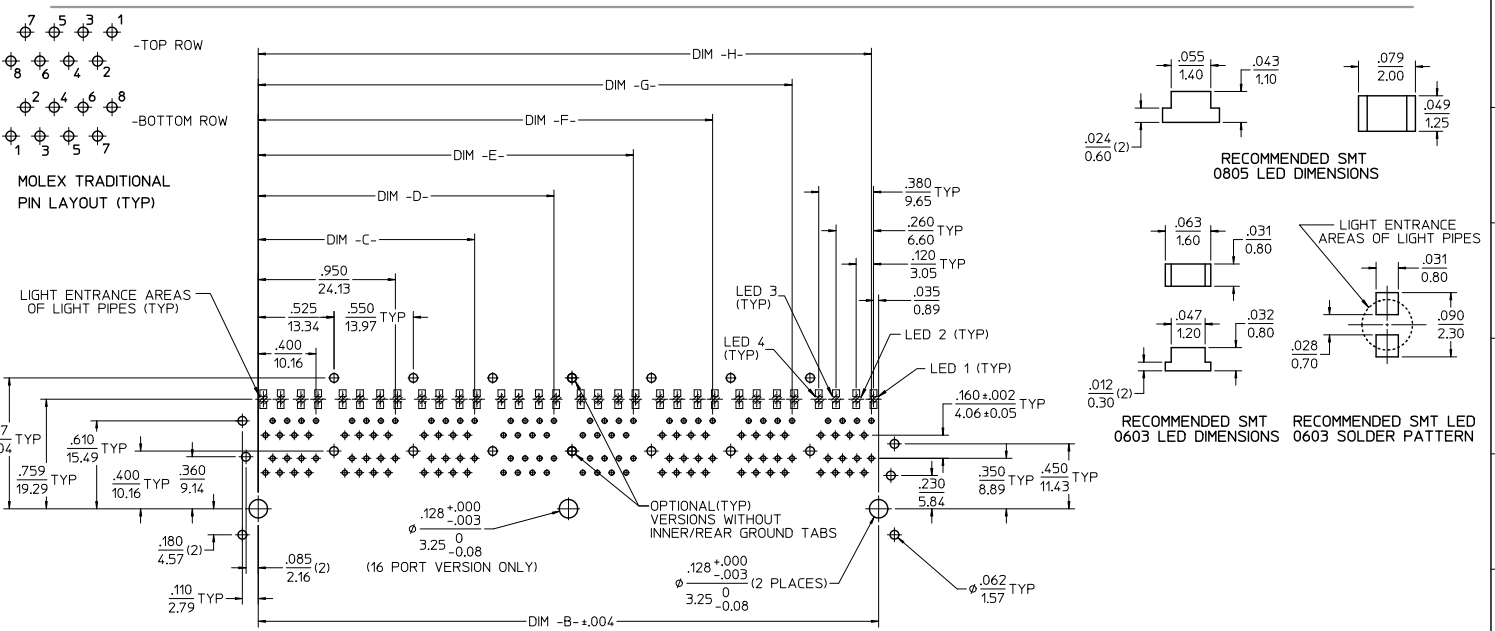
For any questions, you can email us directly:  
[sales@integrated-circuit.com](mailto:sales@integrated-circuit.com)



NOTES:  
 1) MATERIAL:  
 HOUSING: POLYESTER(PBT), GLASS FILLED, UL94V-0, COLOR: BLACK  
 LIGHT PIPES: POLYCARBONATE, UL-94HB, COLOR: CLEAR  
 TERMINALS: PHOSPHOR BRONZE  
 SHIELD: BRASS  
 2) FINISH:  
 TERMINALS:  
 SELECT GOLD IN CONTACT AREA: 50 MICROINCHES / 127 MICROMETERS MIN.  
 SELECT TIN IN PC TAIL AREA: 100 MICROINCHES / 254 MICROMETERS MIN.  
 WITH OVERALL NICKEL UNDERPLATE: 50 MICROINCHES / 127 MICROMETERS MIN.  
 SHIELD:  
 100 MICROINCHES / 254 MICROMETERS NICKEL OVER 50 MICROINCHES / 127 MICROMETERS COPPER UNDERPLATE PCB GROUND TABS DIPPED IN TIN  
 3) PRODUCT SPECIFICATION AND PROCESSING PARAMETERS: PS-44050-003.  
 4) PACKAGING SPECIFICATION: CONNECTOR PACKAGED IN THERMOFORMED TRAYS PER PK-44170-003.  
 5) APPLICATION SPECIFICATION: AS-43860-001  
 6) CONNECTORS AVAILABLE WITH EITHER SNAP-FIT OR PRESS-FIT PEGS.  
 7) CONFORMS TO FCC REGULATION PART 68.5 FOR MODULAR JACKS.  
 8) PCB LAYOUT AND PANEL CUT-OUT SHOWN ON SHEET (2) OF (2).  
 9) AVAILABLE WITH THE (8) PANEL GROUND TABS REMOVED ON EACH SIDE FOR SIDE TO SIDE STACKABILITY.  
 10) TERMINAL LENGTHS MAY BE DIFFERENT FROM TERMINAL TO TERMINAL.  
 11) THIS PART CONFORMS TO CLASS B REQUIREMENTS OF COSMETIC SPECIFICATION PS-45499-002 WITH THE EXCEPTION OF THE SURFACE INDICATED WHICH IS A CLASS C SURFACE.

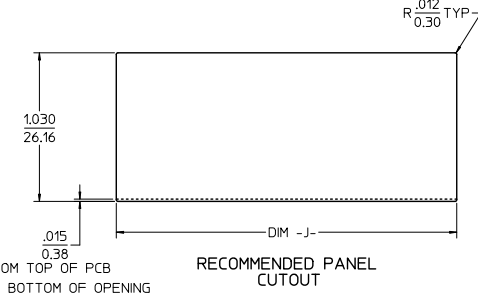
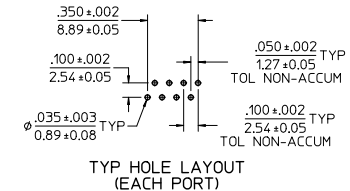
ASSEMBLY MATERIAL NUMBER	NUMBER OF PORTS	PEG STYLE	DIM -A-	DIM -B-	SIDE PANEL GROUND TABS	INNER/REAR GROUND TABS
44170-0001	8 (2 X 4)	SNAP-FIT	2.330/59.18	2.100/53.34	YES	YES
44170-2001	8 (2 X 4)	SNAP-FIT	2.330/59.18	2.100/53.34	NO	YES
44170-3001	8 (2 X 4)	SNAP-FIT	2.330/59.18	2.100/53.34	YES	NO
44170-4001	8 (2 X 4)	SNAP-FIT	2.330/59.18	2.100/53.34	NO	NO
44170-0004	8 (2 X 4)	PRESS-FIT	2.330/59.18	2.100/53.34	YES	YES
44170-2004	8 (2 X 4)	PRESS-FIT	2.330/59.18	2.100/53.34	NO	YES
44170-3004	8 (2 X 4)	PRESS-FIT	2.330/59.18	2.100/53.34	YES	NO
44170-4004	8 (2 X 4)	PRESS-FIT	2.330/59.18	2.100/53.34	NO	NO
44170-0002	12 (2 X 6)	SNAP-FIT	3.430/87.12	3.200/81.28	YES	YES
44170-2002	12 (2 X 6)	SNAP-FIT	3.430/87.12	3.200/81.28	NO	YES
44170-3002	12 (2 X 6)	SNAP-FIT	3.430/87.12	3.200/81.28	YES	NO
44170-4002	12 (2 X 6)	SNAP-FIT	3.430/87.12	3.200/81.28	NO	NO
44170-0005	12 (2 X 6)	PRESS-FIT	3.430/87.12	3.200/81.28	YES	YES
44170-2005	12 (2 X 6)	PRESS-FIT	3.430/87.12	3.200/81.28	NO	YES
44170-3005	12 (2 X 6)	PRESS-FIT	3.430/87.12	3.200/81.28	YES	NO
44170-4005	12 (2 X 6)	PRESS-FIT	3.430/87.12	3.200/81.28	NO	NO
44170-0003	16 (2 X 8)	SNAP-FIT	4.530/115.06	4.300/109.22	YES	YES
44170-2003	16 (2 X 8)	SNAP-FIT	4.530/115.06	4.300/109.22	NO	YES
44170-3003	16 (2 X 8)	SNAP-FIT	4.530/115.06	4.300/109.22	YES	NO
44170-4003	16 (2 X 8)	SNAP-FIT	4.530/115.06	4.300/109.22	NO	NO
44170-0006	16 (2 X 8)	PRESS-FIT	4.530/115.06	4.300/109.22	YES	YES
44170-2006	16 (2 X 8)	PRESS-FIT	4.530/115.06	4.300/109.22	NO	YES
44170-3006	16 (2 X 8)	PRESS-FIT	4.530/115.06	4.300/109.22	YES	NO
44170-4006	16 (2 X 8)	PRESS-FIT	4.530/115.06	4.300/109.22	NO	NO

ADD TOL TO PCB EC NO: UCF2012-1277 DRWINGUIEN 2011/10/18 CHKD:BELL 2011/10/18 APPROV:HTH 2012/02/10	QUALITY SYMBOLS ∇=0 ∇=0 ∇=0	GENERAL TOLERANCES (UNLESS SPECIFIED)		DIMENSION STYLE		SCALE	DESIGN UNITS	THIRD ANGLE PROJECTION	
				IN/MM		2:1	INCH		
		4 PLACES ± --- ± ---	3 PLACES ± --- ± .010	DRAWN BY	DATE	STACKED MODULAR JACK WITH LIGHT PIPES CAT 5 MOLEX INCORPORATED SD-44170-001			
		2 PLACES ± 0.25 ± ---	1 PLACE ± --- ± ---	MARGULIS	98/11/16				
ANGULAR ±1/2°		APPROVED BY		DATE	SHEET NO. 1 OF 2				
DRAFT WHERE APPLICABLE MUST REMAIN WITHIN DIMENSIONS		SEE CHART		ROBERTS	98/11/16	INCORPORATED AND SHOULD NOT BE USED WITHOUT WRITTEN PERMISSION			



PC BOARD LAYOUT: COMPONENT SIDE  
 RECOMMENDED PCB THICKNESS: .062/1.57  
 (16 PORT VERSION SHOWN)  
 ALL DIMENSIONS ARE ±.003/±.08  
 UNLESS SPECIFIED OTHERWISE

NOTES:  
 1. SEE MOLEX WEB SITE FOR CROSS REFERENCE OF RECOMMENDED LED'S.



NUMBER OF PORTS	DIM -B-	DIM -C-	DIM -D-	DIM -E-	DIM -F-	DIM -G-	DIM -H-	DIM -J-
8 (2 X 4)	2,100/53.34	1,500/38.10	2,050/52.07					2,360/59.94
12 (2 X 6)	3,200/81.28	1,500/38.10	2,050/52.07	2,600/66.04	3,150/80.01			3,460/87.88
16 (2 X 8)	4,300/109.22	1,500/38.10	2,050/52.07	2,600/66.04	3,150/80.01	3,700/93.98	4,250/107.95	4,560/115.82

SEE SHEET 1 EC NO: UCP2012-127 2011/10/18 DRAWING/IN/EN CHKD: J.BELL 2011/10/18 APPR: S.MITH 2012/02/10	QUALITY SYMBOLS	GENERAL TOLERANCES (UNLESS SPECIFIED)	DIMENSION STYLE	SCALE	DESIGN UNITS	THIRD ANGLE PROJECTION
	∇=0 ∇=0 ∇=0	mm INCH 4 PLACES ± --- ± --- 3 PLACES ± --- ± .010 2 PLACES ± 0.25 ± --- 1 PLACE ± --- ± --- ANGULAR ± 1/2°	IN/MM	2:1	INCH	DRAWN BY DATE MARGULIS 98/11/16 CHECKED BY DATE ROBERTS 98/11/16 APPROVED BY DATE ROBERTS 98/11/16
	DRAFT WHERE APPLICABLE MUST REMAIN WITHIN DIMENSIONS		SEE CHART	MOLEX INCORPORATED SD-44170-001		SHEET NO. 2 OF 2
	THIS DRAWING CONTAINS INFORMATION THAT IS PROPRIETARY TO MOLEX INCORPORATED AND SHOULD NOT BE USED WITHOUT WRITTEN PERMISSION					