

Excellent Integrated System Limited

Stocking Distributor

Click to view price, real time Inventory, Delivery & Lifecycle Information:

[Molex Connector Corporation](#)
[0442810001](#)

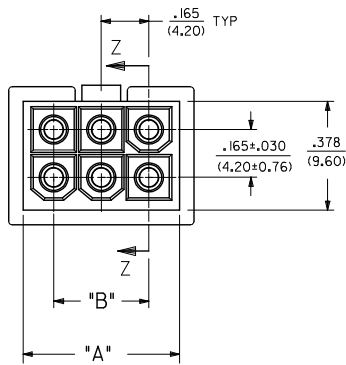
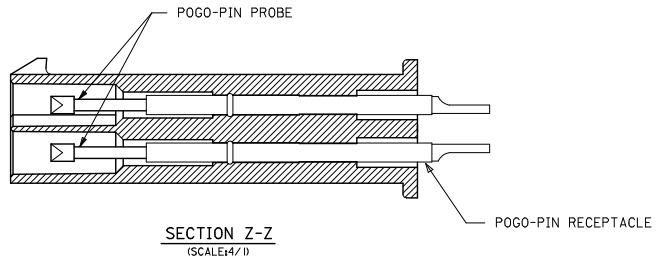
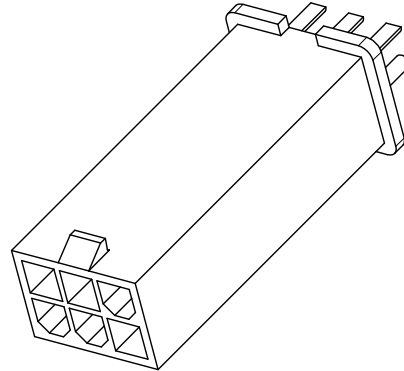
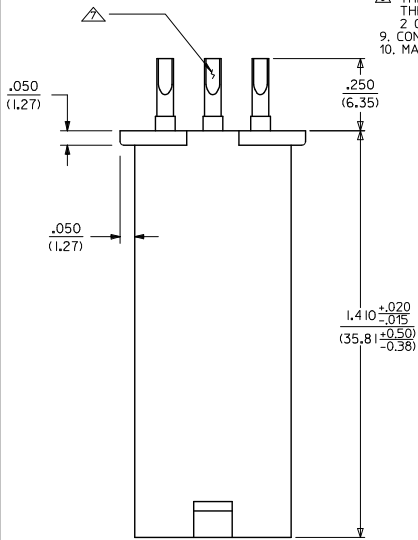
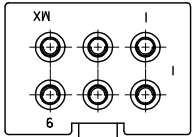
For any questions, you can email us directly:

sales@integrated-circuit.com

NOTES:

1. MATERIAL:
HOUSING: LCP 30% GLASS FILLED, COLOR BLOCK
POGO-PIN PROBE: HEAT TREATED BERYLLIUM COPPER
POGO-PIN RECEPTACLE: WORK-HARDENED NICKEL SILVER.
2. FINISH:
POGO-PIN PROBE: GOLD PLATED OVER HARD NICKEL
POGO-PIN RECEPTACLE: GOLD PLATED OVER HARD NICKEL.
3. PRODUCT SPECIFICATION: PS-44281-001.
4. PACKAGING INFORMATION: PK-44281-001.
5. THIS PART MATES WITH RECEPTACLE 5557, 42474, 44516, AND BMI HEADER, 42385.
6. PRODUCT IS INTENDED FOR LOW LEVEL CONTINUITY TESTING, 2.5 AMPS MAX.
7. SOLDER CUP WILL ACCEPT 22-26 GAUGE WIRE.
8. THE 10 CIRCUIT TEST PLUG CAN BE USED FOR TESTING A 5 CIRCUIT SINGLE ROW CONNECTOR.
THE 4 CIRCUIT TEST PLUG CAN BE USED FOR TESTING A 2 CIRCUIT DUAL ROW CONNECTOR AND 2 CIRCUIT SINGLE ROW CONNECTOR.
9. CONNECTORS ARE NOT TO BE MATED AND UNMATED WHILE CIRCUITS ARE LIVE.
10. MAXIMUM MATING CYCLES OF TEST PLUG IS 10,000 CYCLES.

| MATERIAL NUMBER | CIRCUIT NUMBER | DIM. 'A' | DIM. 'B' |
|-----------------|----------------|---------------|---------------|
| 44281-0001 | 4 | .378/(9.60) | .165/(4.20) |
| 44281-0002 | 6 | .543/(13.80) | .331/(8.40) |
| 44281-0003 | 8 | .709/(18.00) | .496/(12.60) |
| 44281-0004 | 10 | .874/(22.20) | .661/(16.80) |
| 44281-0005 | 12 | 1.039/(26.40) | .827/(21.00) |
| 44281-0006 | 14 | 1.205/(30.60) | .992/(25.20) |
| 44281-0007 | 16 | 1.370/(34.80) | 1.157/(29.40) |
| 44281-0008 | 18 | 1.535/(39.00) | 1.323/(33.60) |
| 44281-0009 | 20 | 1.701/(43.20) | 1.488/(37.80) |



| | | | | | | |
|---|--------------------------------------|---------------------------------------|-------------------|---|--|------------------------|
| CORRECT NOTE 1 & 2 REPLACE PARTS EC NO. UF-2016-1587 DRAWINGS 2015/10/13 CHKD: BELL 2015/10/14 APPROVED: TH 2015/10/27 | QUALITY SYMBOLS ▽=0 ▽=0 ▽=0 | GENERAL TOLERANCES (UNLESS SPECIFIED) | DIMENSION STYLE | SCALE | DESIGN UNITS | THIRD ANGLE PROJECTION |
| | | mm INCH | IN/MM | 4:1 | METRIC | |
| REV | DESCRIPTION | 4 PLACES ± .10 | DRAWN BY A. GUZIK | DATE 98/11/02 | MINI-FIT 4-20 CIRCUIT TEST PLUG ASSEMBLY molex | |
| | | 3 PLACES ± .10 | CHECKED BY | DATE | | |
| | | 2 PLACES ± 0.25 | APPROVED BY | DATE 98/11/03 | SD-44281-001 | |
| | | 1 PLACE ± 0.35 | DATE 2015/10/27 | | | |
| | | 0 PLACE ± .10 | MATERIAL NO. | DOCUMENT NO. | SHEET NO. 1 OF 1 | |
| DRAFT WHERE APPLICABLE MUST REMAIN WITHIN DIMENSIONS | | ANGULAR ±1/2° | SEE CHART | THIS DRAWING CONTAINS INFORMATION THAT IS PROPRIETARY TO MOLEX INCORPORATED AND SHOULD NOT BE USED WITHOUT WRITTEN PERMISSION | | |