

Excellent Integrated System Limited

Stocking Distributor

Click to view price, real time Inventory, Delivery & Lifecycle Information:

[Molex Connector Corporation](#)
[0442810013](#)

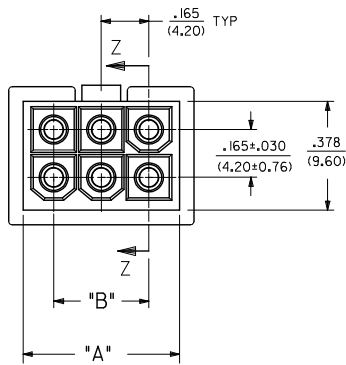
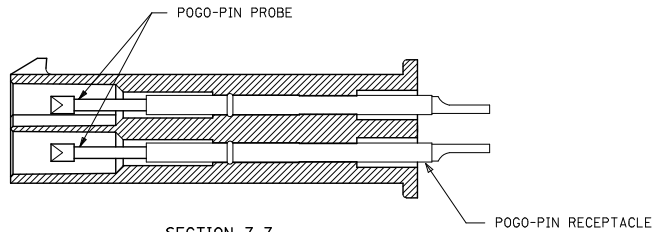
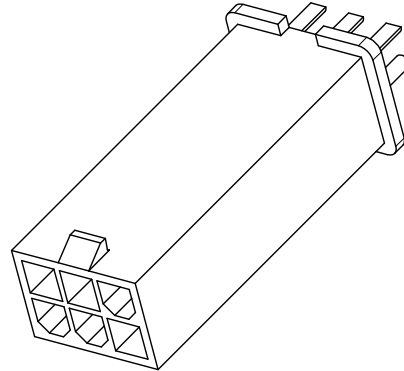
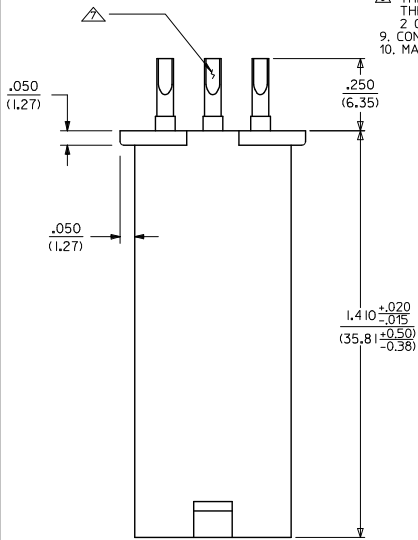
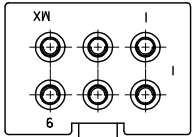
For any questions, you can email us directly:

sales@integrated-circuit.com

NOTES:

1. MATERIAL:
HOUSING LCP 30% GLASS FILLED, COLOR BLOCK
POGO-PIN PROBE: HEAT TREATED BERYLLIUM COPPER,
POGO-PIN RECEPTACLE: WORK-HARDENED NICKEL SILVER.
2. FINISH:
POGO-PIN PROBE: GOLD PLATED OVER HARD NICKEL,
POGO-PIN RECEPTACLE: GOLD PLATED OVER HARD NICKEL.
3. PRODUCT SPECIFICATION: PS-44281-001.
4. PACKAGING INFORMATION: PK-44281-001.
5. THIS PART MATES WITH RECEPTACLE 5557, 42474, 44516, AND BMI HEADER, 42385.
6. PRODUCT IS INTENDED FOR LOW LEVEL CONTINUITY TESTING, 2.5 AMPS MAX.
7. SOLDER CUP WILL ACCEPT 22-26 GAUGE WIRE.
8. THE 10 CIRCUIT TEST PLUG CAN BE USED FOR TESTING A 5 CIRCUIT SINGLE ROW CONNECTOR,
THE 4 CIRCUIT TEST PLUG CAN BE USED FOR TESTING A 2 CIRCUIT DUAL ROW CONNECTOR AND
2 CIRCUIT SINGLE ROW CONNECTOR.
9. CONNECTORS ARE NOT TO BE MATED AND UNMATED WHILE CIRCUITS ARE LIVE.
10. MAXIMUM MATING CYCLES OF TEST PLUG IS 10,000 CYCLES.

MATERIAL NUMBER	CIRCUIT NUMBER	DIM. 'A'	DIM. 'B'
44281-0001	4	.378/(9.60)	.165/(4.20)
44281-0002	6	.543/(13.80)	.331/(8.40)
44281-0003	8	.709/(18.00)	.496/(12.60)
44281-0004	10	.874/(22.20)	.661/(16.80)
44281-0005	12	1.039/(26.40)	.827/(21.00)
44281-0006	14	1.205/(30.60)	.992/(25.20)
44281-0007	16	1.370/(34.80)	1.157/(29.40)
44281-0008	18	1.535/(39.00)	1.323/(33.60)
44281-0009	20	1.701/(43.20)	1.488/(37.80)



CORRECT NOTE 1 & 2 OF PARTS EC NO: UFP-2016-1587 DRAWING NO: 2015/10/13 CHKD: BELL 2015/10/14 APPR: SMITH 2015/10/27 B3	QUALITY SYMBOLS ∇=0 ∇=0 ∇=0	GENERAL TOLERANCES (UNLESS SPECIFIED)		DIMENSION STYLE		SCALE	DESIGN UNITS	THIRD ANGLE PROJECTION	
				IN/MM		4:1	METRIC		
				DRAWN BY A. GUZIK DATE 98/11/02		TITLE			
				CHECKED BY EDGLEY DATE 98/11/03		MINI-FIT 4-20 CIRCUIT TEST PLUG ASSEMBLY 			
		APPROVED BY F. SMITH DATE 2015/10/27							
		ANGULAR ±1/2°		MATERIAL NO.	DOCUMENT NO.	SHEET NO.			
		DRAFT WHERE APPLICABLE MUST REMAIN WITHIN DIMENSIONS		SEE CHART		SD-44281-001			
		THIS DRAWING CONTAINS INFORMATION THAT IS PROPRIETARY TO MOLEX INCORPORATED AND SHOULD NOT BE USED WITHOUT WRITTEN PERMISSION							