

Excellent Integrated System Limited

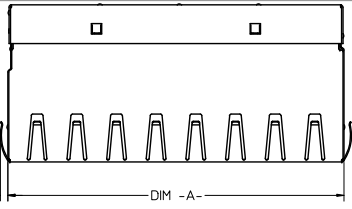
Stocking Distributor

Click to view price, real time Inventory, Delivery & Lifecycle Information:

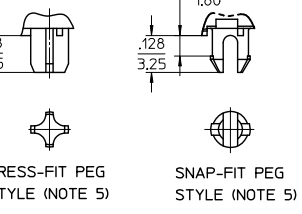
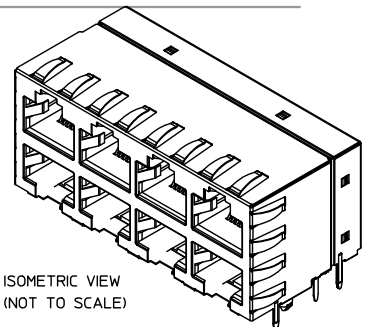
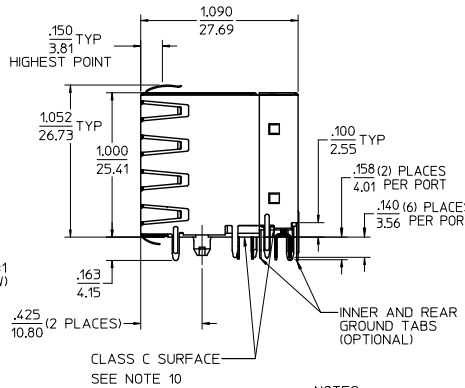
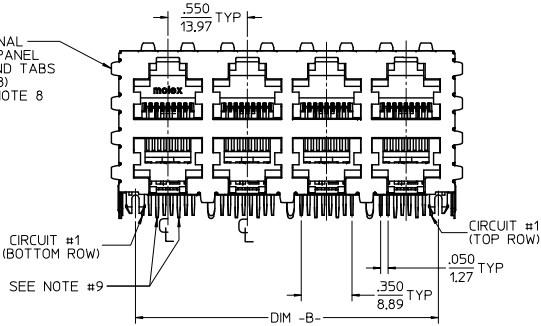
[Molex Connector Corporation](#)
[0445200001](#)

For any questions, you can email us directly:

sales@integrated-circuit.com



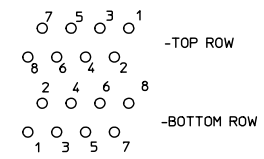
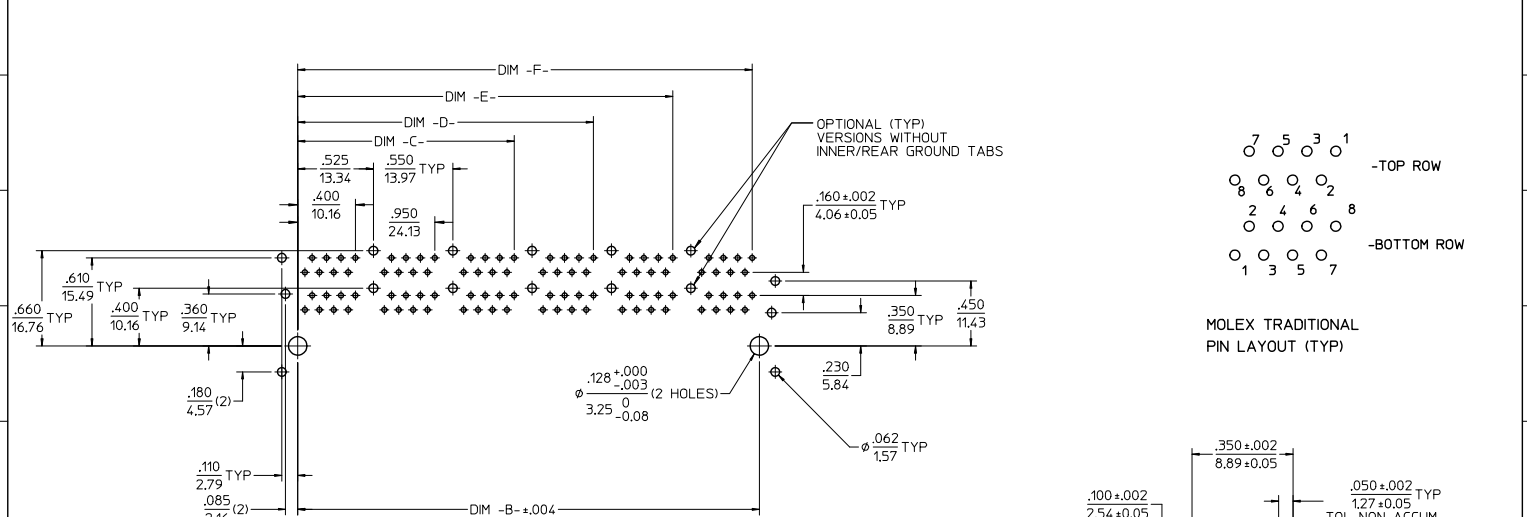
OPTIONAL SIDE PANEL GROUND TABS TYP (8) SEE NOTE 8



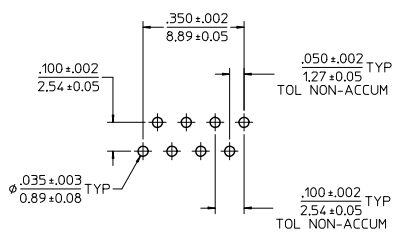
- NOTES:
- 1) MATERIAL: HOUSING: POLYESTER(PBT), GLASS FILLED, UL94V-0, COLOR: BLACK
TERMINALS: PHOSPHOR BRONZE
SHIELD: BRASS
 - 2) FINISH: TERMINALS: SELECT GOLD IN CONTACT AREA: 50 MICROINCHES MIN., SELECT TIN IN PC TAIL AREA: 100 MICROINCHES MIN., WITH OVERALL NICKEL UNDERPLATE: 50 MICROINCHES MIN.
SHIELD: 100 MICROINCHES NICKEL OVER 50 MICROINCHES COPPER UNDERPLATE PCB GROUND TABS DIPPED IN TIN
 - 3) PRODUCT SPECIFICATION: PS-44050-003.
 - 4) PACKAGING SPECIFICATION: CONNECTOR PACKAGED IN THERMOFORMED TRAYS PER PK-44520-003.
 - 5) CONNECTORS AVAILABLE WITH EITHER SNAP-FIT OR PRESS-FIT PEGS.
 - 6) CONFORMS TO FCC REGULATION PART 68.5 FOR MODULAR JACKS.
 - 7) PCB LAYOUT AND PANEL CUT-OUT SHOWN ON SHEET (2) OF (2).
 - 8) AVAILABLE WITH THE (8) PANEL GROUND TABS REMOVED ON EACH SIDE FOR SIDE TO SIDE STACKABILITY.
 - 9) TERMINAL LENGTHS MAY BE DIFFERENT FROM TERMINAL TO TERMINAL.
 - 10) THIS PART CONFORMS TO CLASS B REQUIREMENTS OF COSMETIC SPECIFICATION PS-45499-002 WITH THE EXCEPTION OF THE INDICATED SURFACE WHICH IS A CLASS C SURFACE.

ASSEMBLY MATERIAL NUMBER	NUMBER OF PORTS	PEG STYLE	DIM -A-	DIM -B-	SIDE PANEL GROUND TABS	INNER/REAR GROUND TABS
44520-0001	8 (2 X 4)	SNAP-FIT	2,330/59.18	2,100/53.34	YES	YES
44520-2001	8 (2 X 4)	SNAP-FIT	2,330/59.18	2,100/53.34	NO	YES
44520-3001	8 (2 X 4)	SNAP-FIT	2,330/59.18	2,100/53.34	YES	NO
44520-4001	8 (2 X 4)	SNAP-FIT	2,330/59.18	2,100/53.34	NO	NO
44520-0004	8 (2 X 4)	PRESS-FIT	2,330/59.18	2,100/53.34	YES	YES
44520-2004	8 (2 X 4)	PRESS-FIT	2,330/59.18	2,100/53.34	NO	YES
44520-3004	8 (2 X 4)	PRESS-FIT	2,330/59.18	2,100/53.34	YES	NO
44520-4004	8 (2 X 4)	PRESS-FIT	2,330/59.18	2,100/53.34	NO	NO
44520-0002	12 (2 X 6)	SNAP-FIT	3,430/87.12	3,200/81.28	YES	YES
44520-2002	12 (2 X 6)	SNAP-FIT	3,430/87.12	3,200/81.28	NO	YES
44520-3002	12 (2 X 6)	SNAP-FIT	3,430/87.12	3,200/81.28	YES	NO
44520-4002	12 (2 X 6)	SNAP-FIT	3,430/87.12	3,200/81.28	NO	NO
44520-0005	12 (2 X 6)	PRESS-FIT	3,430/87.12	3,200/81.28	YES	YES
44520-2005	12 (2 X 6)	PRESS-FIT	3,430/87.12	3,200/81.28	NO	YES
44520-3005	12 (2 X 6)	PRESS-FIT	3,430/87.12	3,200/81.28	YES	NO
44520-4005	12 (2 X 6)	PRESS-FIT	3,430/87.12	3,200/81.28	NO	NO

OBsolete 16 PORT EC NO: UCP2014-5436 DRAWING NO: 2014/06/28 CHK'D: BELL APPROVE: SMITH DATE: 2014/07/17	QUALITY SYMBOLS 	GENERAL TOLERANCES (UNLESS SPECIFIED)		DIMENSION STYLE IN/MM		SCALE 2:1	DESIGN UNITS INCH	THIRD ANGLE PROJECTION	
		4 PLACES ± --- ± ---	3 PLACES ± --- ± 0.10	DRAWN BY MARGULIS CHECKED BY ROBERTS	DATE 99/04/16 DATE 99/04/18	STACKED MODULAR JACK CATEGORY 5			
		2 PLACES ± 0.25 ± ---	1 PLACE ± --- ± ---	APPROVED BY ROBERTS	DATE 99/04/18				
		0 PLACE ± ±	ANGULAR ± 1/2°	DRAFT WHERE APPLICABLE MUST REMAIN WITHIN DIMENSIONS		SEE CHART	MATERIAL NO. SD-44520-001	DOCUMENT NO.	SHEET NO. 1 OF 2

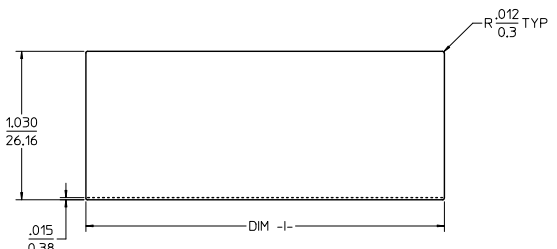


MOLEX TRADITIONAL PIN LAYOUT (TYP)



TYP HOLE LAYOUT (EACH PORT)

PC BOARD LAYOUT: COMPONENT SIDE
 RECOMMENDED PCB THICKNESS: .062/1.57
 (12 PORT VERSION SHOWN)
 ALL DIMENSION TOLERANCES ARE +.003/+0.08
 UNLESS SPECIFIED OTHERWISE



RECOMMENDED PANEL CUTOUT

NUMBER OF PORTS	DIM -B-	DIM -C-	DIM -D-	DIM -E-	DIM -F-	DIM -I-
8 (2 X 4)	2.100/53.34	1.500/38.10	2.050/52.07			2.360/59.94
12 (2 X 6)	3.200/81.28	1.500/38.10	2.050/52.07	2.600/66.04	3.150/80.01	3.460/87.88

GENERAL TOLERANCES (UNLESS SPECIFIED)	mm	INCH	DRAWN BY DATE	TITLE	
	± .010	± .0004			MARGULIS 99/04/16
4 PLACES ± .010			CHECKED BY DATE	THIRD ANGLE PROJECTION	
3 PLACES ± .010			ROBERTS 99/04/18		
2 PLACES ± .025			APPROVED BY DATE	molex	
1 PLACE ± .025			ROBERTS 99/04/18		
0 PLACE ± .025					
ANGULAR ±1/2°		MATERIAL NO.		DOCUMENT NO.	SHEET NO.
DRAFT WHERE APPLICABLE MUST REMAIN WITHIN DIMENSIONS		SEE CHART		SD-44520-001	2 OF 2
THIS DRAWING CONTAINS INFORMATION THAT IS PROPRIETARY TO MOLEX INCORPORATED AND SHOULD NOT BE USED WITHOUT WRITTEN PERMISSION					