

## Excellent Integrated System Limited

Stocking Distributor

Click to view price, real time Inventory, Delivery & Lifecycle Information:

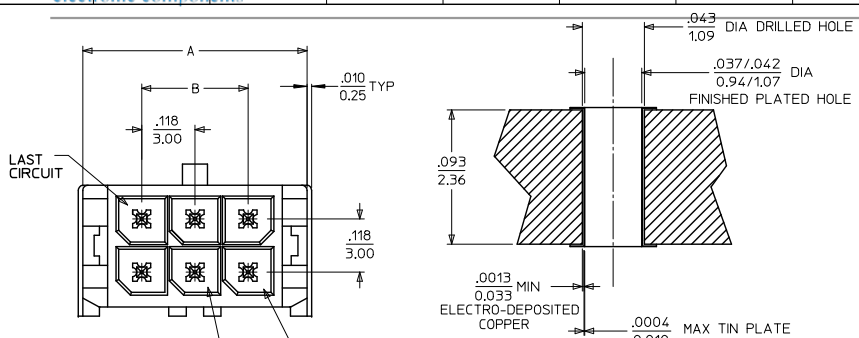
[Molex Connector Corporation](#)  
[0449140202](#)

For any questions, you can email us directly:

[sales@integrated-circuit.com](mailto:sales@integrated-circuit.com)

13 12 11 10 9 8 7 6 5 4 3 2 1

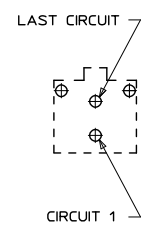
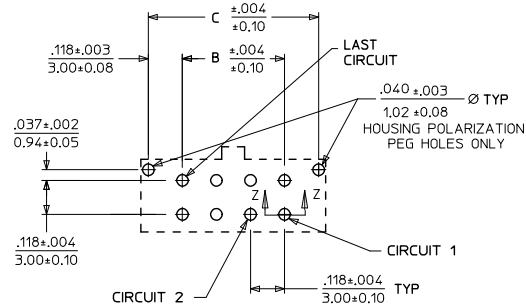
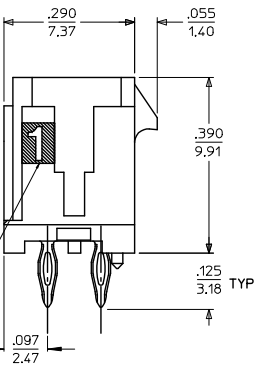
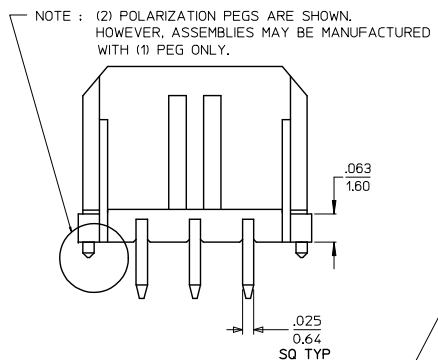
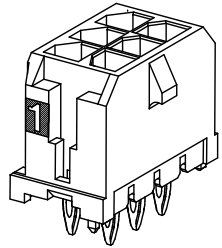
2 1



CKTS	FINISH: A			FINISH: B			FINISH: C		
	MATERIAL NO:	MATERIAL NO:	MATERIAL NO:	MATERIAL NO:	MATERIAL NO:	MATERIAL NO:	MATERIAL NO:	MATERIAL NO:	
02	44914-0201	44914-0202	44914-0203	44914-0201	44914-0202	44914-0203	44914-0201	44914-0202	
04	44914-0401	44914-0402	44914-0403	44914-0401	44914-0402	44914-0403	44914-0401	44914-0402	
06	44914-0601	44914-0602	44914-0603	44914-0601	44914-0602	44914-0603	44914-0601	44914-0602	
08	44914-0801	44914-0802	44914-0803	44914-0801	44914-0802	44914-0803	44914-0801	44914-0802	
10	44914-1001	44914-1002	44914-1003	44914-1001	44914-1002	44914-1003	44914-1001	44914-1002	
12	44914-1201	44914-1202	44914-1203	44914-1201	44914-1202	44914-1203	44914-1201	44914-1202	
14	44914-1401	44914-1402	44914-1403	44914-1401	44914-1402	44914-1403	44914-1401	44914-1402	
16	44914-1601	44914-1602	44914-1603	44914-1601	44914-1602	44914-1603	44914-1601	44914-1602	
18	44914-1801	44914-1802	44914-1803	44914-1801	44914-1802	44914-1803	44914-1801	44914-1802	
20	44914-2001	44914-2002	44914-2003	44914-2001	44914-2002	44914-2003	44914-2001	44914-2002	
22	44914-2201	44914-2202	44914-2203	44914-2201	44914-2202	44914-2203	44914-2201	44914-2202	
24	44914-2401	44914-2402	44914-2403	44914-2401	44914-2402	44914-2403	44914-2401	44914-2402	

CKTS	A			B			C		
	W	H	D	W	H	D	W	H	D
02	.262	.665	6.00	NA	.236	6.00	.236	.665	6.00
04	.380	.965	9.00	.118	.354	9.00	.118	.354	9.00
06	.498	12.65	12.00	.236	.616	12.00	.236	.616	12.00
08	.591	15.65	15.00	.354	.852	15.00	.354	.852	15.00
10	.709	18.65	18.00	.472	1.181	18.00	.472	1.181	18.00
12	.827	21.65	21.00	.591	1.443	21.00	.591	1.443	21.00
14	.945	24.65	24.00	.709	1.734	24.00	.709	1.734	24.00
16	1.063	27.65	27.00	.827	2.025	27.00	.827	2.025	27.00
18	1.181	30.65	30.00	.945	2.316	30.00	.945	2.316	30.00
20	1.299	33.65	33.00	1.063	2.607	33.00	1.063	2.607	33.00
22	1.417	36.65	36.00	1.181	2.898	36.00	1.181	2.898	36.00
24	1.535	39.65	39.00	1.299	3.189	39.00	1.299	3.189	39.00

SECTION Z-Z  
SCALE: 20/1



- NOTES:**
- HOUSING MATERIAL: GLASS FILLED LIQUID CRYSTAL POLYMER, UL94V-0, COLOR: BLACK  
TERMINAL MATERIAL: MODIFIED TIN/BRASS ALLOY
  - FINISH: A = .000200/(0.0051) MIN. TIN OVER .000050/(0.0013) MIN. NICKEL PLATE.  
B = (OBSOLETE AS OF 10-1-2012)  
.000015/(0.00038) MINIMUM GOLD IN SELECTIVE AREA,  
.000060/(0.00152) MINIMUM TIN/LEAD (90/10) ON PCB TAILS,  
BOTH OVER .000050/(0.00127) MINIMUM NICKEL PLATE.  
C = (OBSOLETE AS OF 10-1-2012)  
.000030/(0.00076) MINIMUM GOLD IN SELECTIVE AREA,  
.000060/(0.00152) MINIMUM TIN/LEAD (90/10) ON PCB TAILS,  
BOTH OVER .000050/(0.00127) MINIMUM NICKEL PLATE.
  - PRODUCT SPECIFICATION: PS-43045
  - TRAY PACKAGED: SEE MOLEX DRAWING PK-70873-0314
  - MATES WITH MICRO FIT (3.0) RECEPTACLE SERIES 43025
  - HEADER INSTALLATION REQUIRES A MINIMUM FORCE OF 24LBS/(107 N) PER CIRCUIT DISTRIBUTED EQUALLY ACROSS THE ENTIRE HOUSING SURFACE.
  - THIS PART CONFORMS TO CLASS B REQUIREMENTS OF COSMETIC SPECIFICATION PS-45499-002.

PCB LAYOUT: COMPONENT SIDE  
RECOMMEND PCB THICKNESS: .093/2.36

PCB LAYOUT: 2 CKT HEADER

OBS TIN LEAD P/NS	QUALITY SYMBOLS	GENERAL TOLERANCES (UNLESS SPECIFIED)		DIMENSION STYLE		SCALE	DESIGN UNITS	THIRD ANGLE PROJECTION
		mm	INCH	IN/MM	DATE			
IEC NO: UCP2015-1264 DRAWING NO: 2017/09/28 CHK'D: SUSEK APPR'D: SMITH DATE: 2017/10/12	□=0 ▽=0 ○=0	4 PLACES ±---	±---	BURLESON	2001/08/30	---	METRIC	MICRO FIT HEADER VERTICAL COMPLIANT PIN TRAY PACKED <b>molex</b>
		3 PLACES ±---	±.010	CHECKED BY	DATE			
		2 PLACES ±0.25	±.014	MUELLER	2001/08/30			
		1 PLACE ±0.36	±---	APPROVED BY	DATE			
0 PLACE ±	±	MARGULIS	2001/08/30	MATERIAL NO.		DOCUMENT NO.	SHEET NO.	
DRAFT WHERE APPLICABLE MUST REMAIN WITHIN DIMENSIONS		ANGULAR ±1/2°		SEE CHART		SD-44914-001		1 OF 1
THIS DRAWING CONTAINS INFORMATION THAT IS PROPRIETARY TO MOLEX INCORPORATED AND SHOULD NOT BE USED WITHOUT WRITTEN PERMISSION								

12 11 10 9 8 7 6 5 4 3 2 1