

Excellent Integrated System Limited

Stocking Distributor

Click to view price, real time Inventory, Delivery & Lifecycle Information:

[Molex Connector Corporation](#)
[0457730001](#)

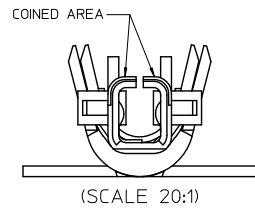
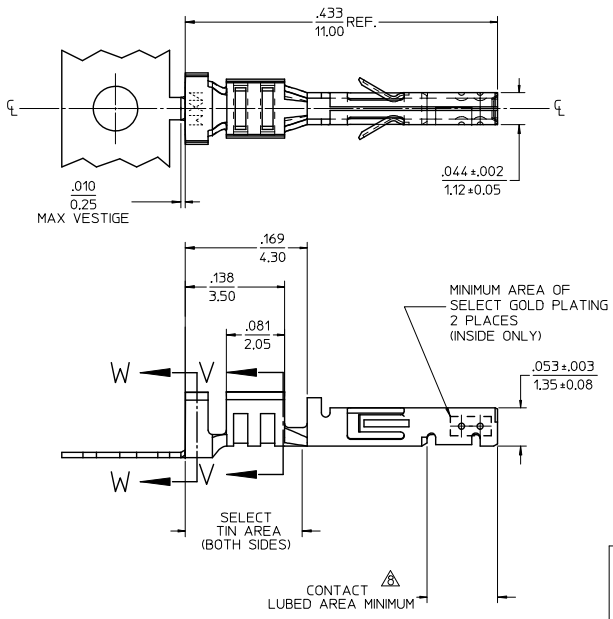
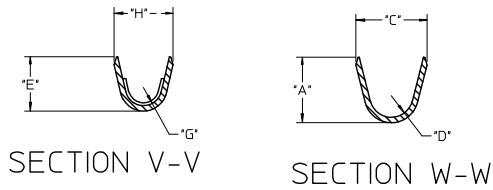
For any questions, you can email us directly:

sales@integrated-circuit.com

13	12	11	10	9	8	7	6	5	4	3	2	1
----	----	----	----	---	---	---	---	---	---	---	---	---

WIRE SIZE	MAX INSULATION	"A" ±.012 +0.30	"C" ±.012 +0.30	"D" ±.005 +0.13	"E" ±.012 +0.30	"G" ±.005 +0.13	"H" ±.012 +0.30
20-24	.073/1.85	.090/2.29	.100/2.54	.030/0.76	.075/1.91	.025/0.64	.082/2.08
26-30	.050/1.27	.075/1.91	.083/2.10	.025/0.64	.058/1.47	.020/0.51	0.65/1.65

MATERIAL NUMBER	PLATING	WIRE SIZE	FORM
45773-0001	A	20-24	CHAIN
45773-0002	B	20-24	CHAIN
45773-0003	C	20-24	CHAIN
45773-0004	A	26-30	CHAIN
45773-0005	B	26-30	CHAIN
45773-0006	C	26-30	CHAIN



- NOTES
- 1) MATERIAL: PHOSPHOR BRONZE ALLOY
 - 2) TERMINAL PLATING:
 "A" - HOT TIN DIP: .000040/0.00102 MIN.
 "B" - .000015/0.00038 MIN. SELECT GOLD
 .000100/0.00254 MIN. SELECT TIN
 ALL OVER .000050/0.00127 MIN. NICKEL OVERALL.
 "C" - .000030/0.00076 MIN. SELECT GOLD
 .000100/0.00254 MIN. SELECT TIN
 ALL OVER .000050/0.00127 MIN. NICKEL OVERALL.
 MATERIAL NUMBERS WITH SELECT PLATING ARE POST-PLATED.
 - 3) PRODUCT SPECIFICATION: PS-43045, PS-43650, PS-44300-001.
 - 4) PACKAGING SPECIFICATION: PK-45773-001
 - 5) TERMINAL FOR USE IN MICRO FIT RECEPTACLE SERIES DESIGNED FOR USING THE 43030-**** FEMALE CRIMP TERMINAL.
 - 6) FOR TERMINAL ORIENTATION IN RECEPTACLE SEE DRAWING SDA-43025-**** OR SDA-43645-****.
 - 7) THIS TERMINAL IS DESIGNED IN METRIC.
 - 8) MOLEX PROPRIETARY CONTACT LUBRICATION EB-1 IS APPLIED IN THE CONTACT AREA BY THE FACTORY.
 - 9) MOLEX RECOMMENDS THE USE OF MICRO-FIT TEST PLUG (SERIES 44242) WHENEVER CONTINUITY TESTING IS PERFORMED. TEST PLUGS MUST NOT BE USED TO MAKE OR BREAK UNDER LOAD. MOLEX DOES NOT RECOMMEND USING STANDARD MATING COMPONENTS (SERIES 43020, 43045, 43640, 43650, OR 43031) FOR HARNESS TESTING PURPOSES.

ADD. MXN	EC. NO.	DRAWN BY	CHKD BY	APPROVED BY	DESCRIPTION	QUALITY SYMBOLS	GENERAL TOLERANCES (UNLESS SPECIFIED)		DIMENSION STYLE		SCALE	DESIGN UNITS	THIRD ANGLE PROJECTION
							mm	INCH	IN/MM	IN/MM			
	1997	2014/10/02	2014/10/02	2015/07/01			4 PLACES ±---	±---	DRAWN BY	DATE	10:1	METRIC	MICRO-FIT (3.0) FEMALE CRIMP TERMINAL W/ LUBRICANT
							3 PLACES ±---	±.010	DPETERSON	2006/01/25			
							2 PLACES ±0.25	±.014	SSOUSEK	2006/01/25			
							1 PLACE ±0.35	±---	APPROVED BY	DATE			
							0 PLACE ±	±	F SMITH	2006/01/25			molex
							ANGULAR ±1/2°		MATERIAL NO.	DOCUMENT NO.			SHEET NO.
							DRAFT WHERE APPLICABLE MUST REMAIN WITHIN DIMENSIONS		SEE CHART	SD-45773-001			1 OF 1
							THIS DRAWING CONTAINS INFORMATION THAT IS PROPRIETARY TO MOLEX INCORPORATED AND SHOULD NOT BE USED WITHOUT WRITTEN PERMISSION						

1b_frame_C_P_AM_T Rev. G 2012/01/11	12	11	10	9	8	7	6	5	4	3	2	1
-------------------------------------	----	----	----	---	---	---	---	---	---	---	---	---