

Excellent Integrated System Limited

Stocking Distributor

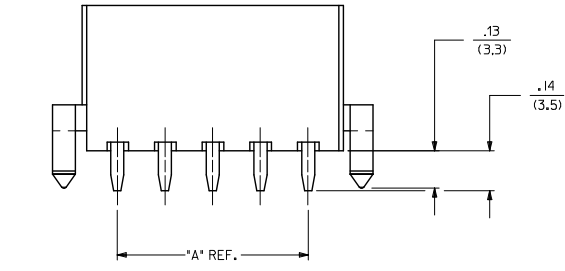
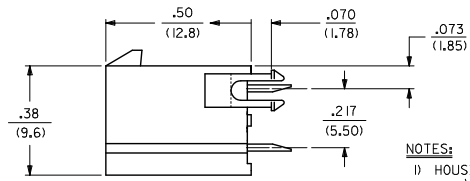
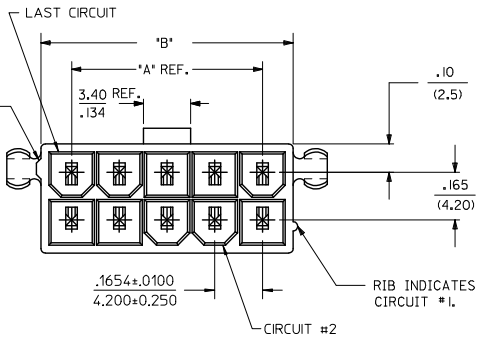
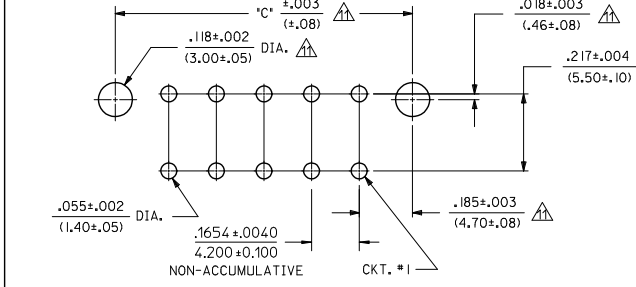
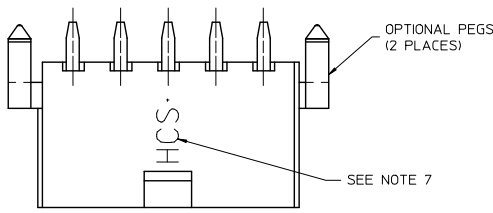
Click to view price, real time Inventory, Delivery & Lifecycle Information:

[Molex Connector Corporation](#)
[0460150207](#)

For any questions, you can email us directly:

sales@integrated-circuit.com

CIRCUIT SIZE	DIM. 'A'	DIM. 'B'	DIM. 'C'
2	—	.21 (5.4)	.370 (9.40)
4	.17 (4.2)	.38 (9.6)	.535 (13.60)
6	.33 (8.4)	.54 (13.8)	.701 (17.80)
8	.50 (12.6)	.71 (18.0)	.866 (22.00)
10	.66 (16.8)	.87 (22.2)	1.031 (26.20)
12	.83 (21.0)	1.04 (26.4)	1.197 (30.40)
14	.99 (25.2)	1.20 (30.6)	1.362 (34.60)
16	1.16 (29.4)	1.37 (34.8)	1.528 (38.80)
18	1.32 (33.6)	1.54 (39.0)	1.693 (43.00)
20	1.49 (37.8)	1.70 (43.2)	1.858 (47.20)
22	1.65 (42.0)	1.87 (47.4)	2.024 (51.40)
24	1.82 (46.2)	2.03 (51.6)	2.189 (55.60)



- NOTES:**
- HOUSING MATERIAL:
V-2 = NYLON 6/6, UNFILLED U.L. 94V-2, COLOR: NATURAL.
V-0 = NYLON 6/6, UNFILLED U.L. 94V-0, COLOR: NATURAL.
GW V-0 = NYLON UL94V-0, COLOR: BLACK
IEC 60335-1 4TH EDITION GLOW WIRE CAPABLE
TERMINAL MATERIAL: COPPER ALLOY.
 - TERMINAL PLATING:
TIN = .000100/(.00254) MIN. MATTE TIN OVER .000050/(.00127) MIN. NICKEL OVERALL
GOLD = .000030/(.00080) MIN. SELECT GOLD, .000100/(.00254) MIN. MATTE TIN OVER .000050/(.00127) MIN. NICKEL OVERALL
 - PRODUCT SPECIFICATION: PS-45750-001
 - PACKAGING SPECIFICATION: PK-5566-001.
 - PART MATES WITH MINI-FIT JR. RECEPTACLE NO. 5557.
 - PART ARE NOT TO BE MATED OR UN-MATED WHILE CIRCUITS ARE LIVE.
 - PARTS TO HAVE "HCS" MARKING
 - PART CONFORMS TO CLASS B OF COSMETIC SPECIFICATION PS-45499-002 WITH THE EXCEPTION OF DISCOLORATION, FLASH, AND SINK MEET CLASS "C" REQUIREMENTS.
 - PART IS NOT DESIGNED FOR CURRENT SHARING.
 - ANTI-SHINGLING RIB MAY OR MAY NOT APPEAR ON HOUSINGS.
- ▲ LOCATION OF .118/3.00 DIAMETER HOLES ON P.C. BOARD IS FOR OPTIONAL PEGS.

ADD NOTE #11 EC NO: UCP2014-4789 DRAWN: JBOX CHKD: BELL APPR: SMITH	QUALITY SYMBOLS	GENERAL TOLERANCES (UNLESS SPECIFIED)		DIMENSION STYLE		SCALE	DESIGN UNITS	THIRD ANGLE PROJECTION	
		mm	INCH	IN/MM		4:1	METRIC	☉	
REV C4	▽=0	4 PLACES ±---	±---	DRAWN BY	DATE	TITLE VERTICAL HEADER ASSEMBLY DUAL ROW MINI-FIT PLUS HCS SERIES molex DOCUMENT NO. SD-46015-001 SHEET NO. 1 OF 2			
	▽=0	3 PLACES ±---	±.010	T GREGOR I	2006/04/27				
	▽=0	2 PLACES ±0.25	±.020	CHECKED BY	DATE				
	▽=0	1 PLACE ±0.50	±---	JCOMERC I	DATE				
		0 PLACE ±---	±---	APPROVED BY	DATE				
			ANGULAR ±1/2°	SMITH	2010/04/09				
			DRAFT WHERE APPLICABLE MUST REMAIN WITHIN DIMENSIONS	SEE TABLE					
				THIS DRAWING CONTAINS INFORMATION THAT IS PROPRIETARY TO MOLEX INCORPORATED AND SHOULD NOT BE USED WITHOUT WRITTEN PERMISSION					



Distributor of Molex Connector Corporation: Excellent Integrated System Limited

Datasheet of 0460150207 - MF+ HCS VERT HDR DR 2CKT V-2

Contact us: sales@integrated-circuit.com Website: www.integrated-circuit.com

ITEM NO.	CKT SIZE	HOUSING MATERIAL	PEGS	PLATING	ITEM NO.	CKT SIZE	HOUSING MATERIAL	PEGS	PLATING
46015-0202	2	V-0	NO	TIN	46015-1402	14	V-0	NO	TIN
46015-0203		YES	YES		46015-1403		YES	YES	
46015-0206		V-2	NO		46015-1406		NO	NO	
46015-0207		YES	YES		46015-1407		YES	YES	
46015-0211		GW V-0	YES		46015-1409		YES	YES	
46015-0209		V-0	YES		46015-1412		NO	NO	
46015-0210		GW V-0	YES		46015-1602		NO	NO	
46015-0212		V-0	NO		46015-1603		YES	YES	
46015-0402		V-0	NO		46015-1606		NO	NO	
46015-0403		YES	YES		46015-1607		YES	YES	
46015-0406	V-2	NO	46015-1609	YES	YES				
46015-0407	YES	YES	46015-1612	NO	NO				
46015-0411	GW V-0	YES	46015-1802	NO	NO				
46015-0409	V-0	YES	46015-1803	YES	YES				
46015-0410	GW V-0	YES	46015-1806	NO	NO				
46015-0412	V-0	NO	46015-1807	YES	YES				
46015-0602	V-0	NO	46015-1809	YES	YES				
46015-0603	YES	YES	46015-1812	NO	NO				
46015-0606	V-2	NO	46015-2002	V-0	NO				
46015-0607	YES	YES	46015-2003	YES	YES				
46015-0611	GW V-0	YES	46015-2006	NO	NO				
46015-0609	V-0	YES	46015-2007	V-2	YES				
46015-0610	GW V-0	YES	46015-2009	YES	YES				
46015-0612	V-0	NO	46015-2012	V-0	NO				
46015-0802	V-0	NO	46015-2202	V-0	NO				
46015-0803	YES	YES	46015-2203	YES	YES				
46015-0806	V-2	NO	46015-2206	NO	NO				
46015-0807	YES	YES	46015-2207	V-2	YES				
46015-0811	GW V-0	YES	46015-2209	YES	YES				
46015-0809	V-0	YES	46015-2212	V-0	NO				
46015-0810	GW V-0	YES	46015-2402	V-0	NO				
46015-0812	V-0	NO	46015-2403	YES	YES				
46015-1002	V-0	NO	46015-2406	NO	NO				
46015-1003	YES	YES	46015-2407	YES	YES				
46015-1006	V-2	NO	46015-2409	YES	YES				
46015-1007	YES	YES	46015-2412	V-0	NO				
46015-1011	GW V-0	YES							
46015-1009	V-0	YES							
46015-1010	GW V-0	YES							
46015-1012	V-0	NO							
46015-1202	V-0	NO							
46015-1203	YES	YES							
46015-1206	V-2	NO							
46015-1207	YES	YES							
46015-1211	GW V-0	YES							
46015-1209	V-0	YES							
46015-1210	GW V-0	YES							
46015-1212	V-0	NO							

SEE SHEET 1 EC NO: UCP2014-4789 DRAWN: JFOX 2014/06/02 CHKD: BELL 2014/06/02 APPR: SMITH 2014/06/23	QUALITY SYMBOLS	GENERAL TOLERANCES (UNLESS SPECIFIED)	DIMENSION STYLE	SCALE	DESIGN UNITS	THIRD ANGLE PROJECTION
	▽=0	mm INCH	IN/MM	1:1	METRIC	
	▽=0	4 PLACES ± --- ± ---	DRAWN BY DATE	VERTICAL HEADER ASSEMBLY DUAL ROW MINI-FIT PLUS HCS SERIES molex		
	▽=0	3 PLACES ± --- ± .010	T GREGOR I 2006/04/27			
	2 PLACES ± 0.25 ± .020	CHECKED BY DATE	SD-46015-001 SHEET NO. 2 OF 2			
	1 PLACE ± 0.50 ± ---	JCOMERC I				
	0 PLACE ± --- ± ---	APPROVED BY DATE	THIS DRAWING CONTAINS INFORMATION THAT IS PROPRIETARY TO MOLEX INCORPORATED AND SHOULD NOT BE USED WITHOUT WRITTEN PERMISSION			
	ANGULAR ±1/2°	SMITH 2010/04/09				
	DRAFT WHERE APPLICABLE MUST REMAIN WITHIN DIMENSIONS	MATERIAL NO.	SEE CHART	DOCUMENT NO.		