

Excellent Integrated System Limited

Stocking Distributor

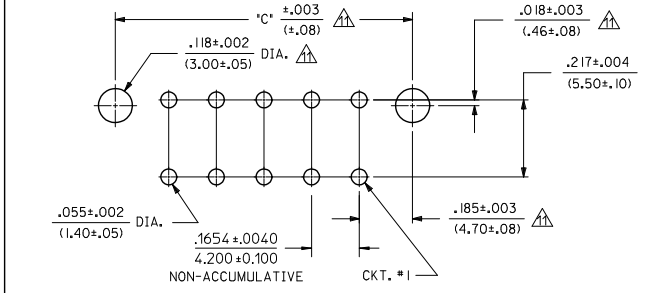
Click to view price, real time Inventory, Delivery & Lifecycle Information:

[Molex Connector Corporation](#)
[0460150402](#)

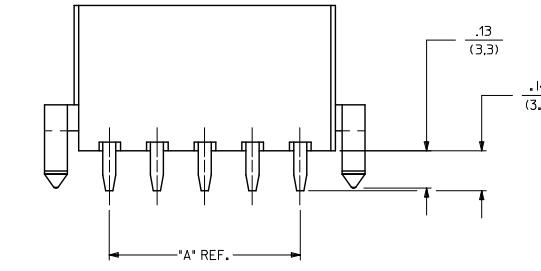
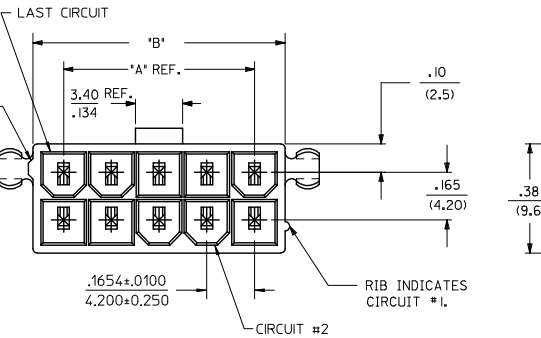
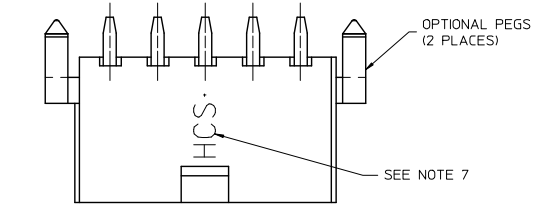
For any questions, you can email us directly:

sales@integrated-circuit.com

CIRCUIT SIZE	DIM. 'A'	DIM. 'B'	DIM. 'C'
2	—	.21 (5.4)	.370 (9.40)
4	.17 (4.2)	.38 (9.6)	.535 (13.60)
6	.33 (8.4)	.54 (13.8)	.701 (17.80)
8	.50 (12.6)	.71 (18.0)	.866 (22.00)
10	.66 (16.8)	.87 (22.2)	1.031 (26.20)
12	.83 (21.0)	1.04 (26.4)	1.197 (30.40)
14	.99 (25.2)	1.20 (30.6)	1.362 (34.60)
16	1.16 (29.4)	1.37 (34.8)	1.528 (38.80)
18	1.32 (33.6)	1.54 (39.0)	1.693 (43.00)
20	1.49 (37.8)	1.70 (43.2)	1.858 (47.20)
22	1.65 (42.0)	1.87 (47.4)	2.024 (51.40)
24	1.82 (46.2)	2.03 (51.6)	2.189 (55.60)



RECOMMENDED HOLE LAYOUT FOR .070/(1.78) MAX. THICK P. C. BOARD



- NOTES:**
- HOUSING MATERIAL:
V-2 = NYLON 6/6, UNFILLED U.L. 94V-2, COLOR: NATURAL.
V-0 = NYLON 6/6, UNFILLED U.L. 94V-0, COLOR: NATURAL.
GW V-0 = NYLON UL94V-0, COLOR: BLACK
IEC 60335-1 4TH EDITION GLOW WIRE CAPABLE
TERMINAL MATERIAL: COPPER ALLOY.
 - TERMINAL PLATING:
TIN = .000100/(.00254) MIN. MATTE TIN OVER .000050/(.00127) MIN. NICKEL OVERALL
GOLD = .000030/(.00080) MIN. SELECT GOLD, .000100/(.00254) MIN. MATTE TIN OVER .000050/(.00127) MIN. NICKEL OVERALL
 - PRODUCT SPECIFICATION: PS-45750-001
 - PACKAGING SPECIFICATION: PK-5566-001.
 - PART MATES WITH MINI-FIT JR. RECEPTACLE NO. 5557.
 - PART ARE NOT TO BE MATED OR UN-MATED WHILE CIRCUITS ARE LIVE.
 - PARTS TO HAVE "HCS" MARKING
 - PART CONFORMS TO CLASS B OF COSMETIC SPECIFICATION PS-45499-002 WITH THE EXCEPTION OF DISCOLORATION, FLASH, AND SINK MEET CLASS "C" REQUIREMENTS.
 - PART IS NOT DESIGNED FOR CURRENT SHARING.
 - ANTI-SHINGLING RIB MAY OR MAY NOT APPEAR ON HOUSINGS.
- ▲ LOCATION OF .118/3.00 DIAMETER HOLES ON P.C. BOARD IS FOR OPTIONAL PEGS.

ADD NOTE 11 EC NO: UCP2014-4789 DRAWN: JBOX 2014/06/02 CHKD: BELL 2014/06/02 APPR: SMITH 2014/06/23	QUALITY SYMBOLS	GENERAL TOLERANCES (UNLESS SPECIFIED)		DIMENSION STYLE		SCALE	DESIGN UNITS	THIRD ANGLE PROJECTION
		mm	INCH	IN/MM		4:1	METRIC	☉
REV C4	▽=0	4 PLACES	±---	±---	DRAWN BY	DATE	TITLE VERTICAL HEADER ASSEMBLY DUAL ROW MINI-FIT PLUS HCS SERIES molex DOCUMENT NO. SD-46015-001 SHEET NO. 1 OF 2	
	▽=0	3 PLACES	±---	±.010	T GREGOR I	2006/04/27		
	▽=0	2 PLACES	±0.25	±.020	CHECKED BY	DATE		
	▽=0	1 PLACE	±0.50	±---	JCOMERC I	DATE		
	▽=0	0 PLACE	±---	±---	APPROVED BY	DATE		
		ANGULAR ±1/2°		MATERIAL NO.	DOCUMENT NO.			
		DRAFT WHERE APPLICABLE MUST REMAIN WITHIN DIMENSIONS		SEE TABLE				



Distributor of Molex Connector Corporation: Excellent Integrated System Limited

Datasheet of 0460150402 - MF+ HCS VERT HDR DR 4CKT V-0 TIN

Contact us: sales@integrated-circuit.com Website: www.integrated-circuit.com

ITEM NO.	CKT SIZE	HOUSING MATERIAL	PEGS	PLATING	ITEM NO.	CKT SIZE	HOUSING MATERIAL	PEGS	PLATING
46015-0202	2	V-0	NO	TIN	46015-1402	14	V-0	NO	TIN
46015-0203		V-0	YES		46015-1403		V-0	YES	
46015-0206		V-2	NO		46015-1406		V-2	NO	
46015-0207		V-2	YES		46015-1407		V-2	YES	
46015-0211		GW V-0	YES		46015-1409		V-0	YES	
46015-0209		V-0	YES		46015-1412		V-0	NO	
46015-0210		GW V-0	YES		46015-1602		V-0	NO	
46015-0212		V-0	NO		46015-1603		V-0	YES	
46015-0402		V-0	NO		46015-1606		V-2	NO	
46015-0403		V-0	YES		46015-1607		V-2	YES	
46015-0406	V-2	NO	46015-1609	V-0	YES				
46015-0407	V-2	YES	46015-1612	V-0	NO				
46015-0411	GW V-0	YES	46015-1802	V-0	NO				
46015-0409	V-0	YES	46015-1803	V-0	YES				
46015-0410	GW V-0	YES	46015-1806	V-2	NO				
46015-0412	V-0	NO	46015-1807	V-2	YES				
46015-0602	V-0	NO	46015-1809	V-0	YES				
46015-0603	V-0	YES	46015-1812	V-0	NO				
46015-0606	V-2	NO	46015-2002	V-0	NO				
46015-0607	V-2	YES	46015-2003	V-0	YES				
46015-0611	GW V-0	YES	46015-2006	V-2	NO				
46015-0609	V-0	YES	46015-2007	V-2	YES				
46015-0610	GW V-0	YES	46015-2009	V-0	YES				
46015-0612	V-0	NO	46015-2012	V-0	NO				
46015-0802	V-0	NO	46015-2202	V-0	NO				
46015-0803	V-0	YES	46015-2203	V-0	YES				
46015-0806	V-2	NO	46015-2206	V-2	NO				
46015-0807	V-2	YES	46015-2207	V-2	YES				
46015-0811	GW V-0	YES	46015-2209	V-0	YES				
46015-0809	V-0	YES	46015-2212	V-0	NO				
46015-0810	GW V-0	YES	46015-2402	V-0	NO				
46015-0812	V-0	NO	46015-2403	V-0	YES				
46015-1002	V-0	NO	46015-2406	V-2	NO				
46015-1003	V-0	YES	46015-2407	V-2	YES				
46015-1006	V-2	NO	46015-2409	V-0	YES				
46015-1007	V-2	YES	46015-2412	V-0	NO				
46015-1011	GW V-0	YES							
46015-1009	V-0	YES							
46015-1010	GW V-0	YES							
46015-1012	V-0	NO							
46015-1202	V-0	NO							
46015-1203	V-0	YES							
46015-1206	V-2	NO							
46015-1207	V-2	YES							
46015-1211	GW V-0	YES							
46015-1209	V-0	YES							
46015-1210	GW V-0	YES							
46015-1212	V-0	NO							

SEE SHEET 1 EC NO: UCP2014-4789 DRAWN: JFOX 2014/06/02 CHKD: BELL 2014/06/02 APPR: SMITH 2014/06/23	QUALITY SYMBOLS 	GENERAL TOLERANCES (UNLESS SPECIFIED)		DIMENSION STYLE		SCALE	DESIGN UNITS	THIRD ANGLE PROJECTION		
				IN/MM		1:1	METRIC			
		4 PLACES	± ---	± ---	DRAWN BY	DATE	VERTICAL HEADER ASSEMBLY DUAL ROW MINI-FIT PLUS HCS SERIES 			
		3 PLACES	± ---	± .010	TGREGOR I	2006/04/27				
2 PLACES	± 0.25	± .020	CHECKED BY	DATE	SD-46015-001 SHEET NO. 2 OF 2					
1 PLACE	± 0.50	± ---	JCOMERC I	DATE						
0 PLACE	± ---	± ---	APPROVED BY	DATE	THIS DRAWING CONTAINS INFORMATION THAT IS PROPRIETARY TO MOLEX INCORPORATED AND SHOULD NOT BE USED WITHOUT WRITTEN PERMISSION					
ANGULAR ±1/2°		MATERIAL NO.		DOCUMENT NO.						
DRAFT WHERE APPLICABLE MUST REMAIN WITHIN DIMENSIONS		SEE CHART								