

## Excellent Integrated System Limited

Stocking Distributor

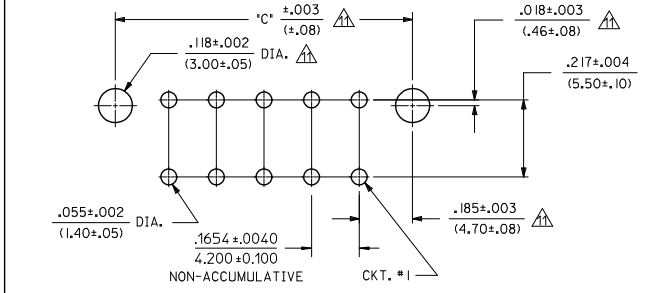
Click to view price, real time Inventory, Delivery & Lifecycle Information:

[Molex Connector Corporation](#)  
[0460151206](#)

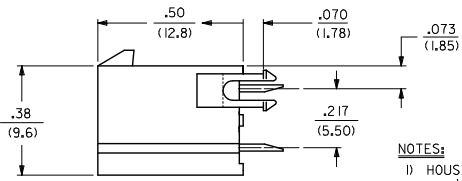
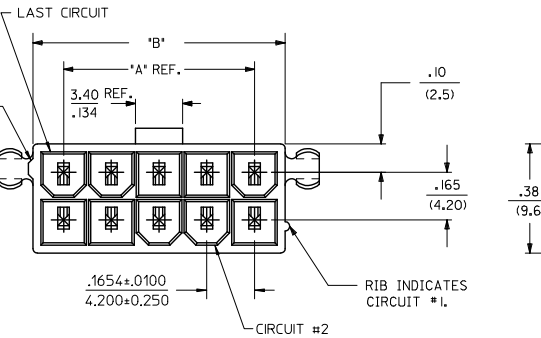
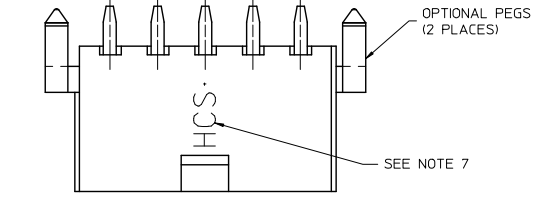
For any questions, you can email us directly:

[sales@integrated-circuit.com](mailto:sales@integrated-circuit.com)

CIRCUIT SIZE	DIM. 'A'	DIM. 'B'	DIM. 'C'
2	—	.21 (5.4)	.370 (9.40)
4	.17 (4.2)	.38 (9.6)	.535 (13.60)
6	.33 (8.4)	.54 (13.8)	.701 (17.80)
8	.50 (12.6)	.71 (18.0)	.866 (22.00)
10	.66 (16.8)	.87 (22.2)	1.031 (26.20)
12	.83 (21.0)	1.04 (26.4)	1.197 (30.40)
14	.99 (25.2)	1.20 (30.6)	1.362 (34.60)
16	1.16 (29.4)	1.37 (34.8)	1.528 (38.80)
18	1.32 (33.6)	1.54 (39.0)	1.693 (43.00)
20	1.49 (37.8)	1.70 (43.2)	1.858 (47.20)
22	1.65 (42.0)	1.87 (47.4)	2.024 (51.40)
24	1.82 (46.2)	2.03 (51.6)	2.189 (55.60)



RECOMMENDED HOLE LAYOUT FOR .070/(1.78) MAX. THICK P. C. BOARD



- NOTES:**
- HOUSING MATERIAL:  
V-2 = NYLON 6/6, UNFILLED U.L. 94V-2, COLOR: NATURAL.  
V-0 = NYLON 6/6, UNFILLED U.L. 94V-0, COLOR: NATURAL.  
GW V-0 = NYLON UL94V-0, COLOR: BLACK  
IEC 60335-1 4TH EDITION GLOW WIRE CAPABLE  
TERMINAL MATERIAL: COPPER ALLOY.
  - TERMINAL PLATING:  
TIN = .000100/(.00254) MIN. MATTE TIN OVER .000050/(.00127) MIN. NICKEL OVERALL  
GOLD = .000030/(.00080) MIN. SELECT GOLD, .000100/(.00254) MIN. MATTE TIN OVER .000050/(.00127) MIN. NICKEL OVERALL
  - PRODUCT SPECIFICATION: PS-45750-001
  - PACKAGING SPECIFICATION: PK-5566-001.
  - PART MATES WITH MINI-FIT JR. RECEPTACLE NO. 5557.
  - PART ARE NOT TO BE MATED OR UN-MATED WHILE CIRCUITS ARE LIVE.
  - PARTS TO HAVE "HCS" MARKING
  - PART CONFORMS TO CLASS B OF COSMETIC SPECIFICATION PS-45499-002 WITH THE EXCEPTION OF DISCOLORATION, FLASH, AND SINK MEET CLASS "C" REQUIREMENTS.
  - PART IS NOT DESIGNED FOR CURRENT SHARING.
  - ANTI-SHINGLING RIB MAY OR MAY NOT APPEAR ON HOUSINGS.
- ▲ LOCATION OF .118/3.00 DIAMETER HOLES ON P.C. BOARD IS FOR OPTIONAL PEGS.

ADD NOTE 11 EC NO: UCP2014-4789 2014/06/02 DRAWN: JBOX CHKD: BELL APPR: SMITH 2014/06/23	QUALITY SYMBOLS ▽=0 ▽=0 ▽=0	GENERAL TOLERANCES (UNLESS SPECIFIED)		DIMENSION STYLE IN/MM		SCALE 4:1	DESIGN UNITS METRIC	THIRD ANGLE PROJECTION
		mm	INCH	DRAWN BY T GREGORI	DATE 2006/04/27	TITLE VERTICAL HEADER ASSEMBLY DUAL ROW MINI-FIT PLUS HCS SERIES		
REV C4	4 PLACES ±---	±---	±---	CHECKED BY JCOMERC I	DATE	DOCUMENT NO. SD-46015-001		
	3 PLACES ±---	±.010	±.020	APPROVED BY F SMITH	DATE 2010/04/09			
ANGULAR ±1/2°		DRAFT WHERE APPLICABLE MUST REMAIN WITHIN DIMENSIONS		SEE TABLE		THIS DRAWING CONTAINS INFORMATION THAT IS PROPRIETARY TO MOLEX INCORPORATED AND SHOULD NOT BE USED WITHOUT WRITTEN PERMISSION		



Distributor of Molex Connector Corporation: Excellent Integrated System Limited

Datasheet of 0460151206 - MF+ HCS VERT HDR DR 12CKT V-2

Contact us: sales@integrated-circuit.com Website: www.integrated-circuit.com

ITEM NO.	CKT SIZE	HOUSING MATERIAL	PEGS	PLATING	ITEM NO.	CKT SIZE	HOUSING MATERIAL	PEGS	PLATING																																									
46015-0202	2	V-0	NO	TIN	46015-1402	14	V-0	NO	TIN																																									
46015-0203			YES		46015-1403			YES																																										
46015-0206		V-2	NO		GOLD		46015-1406	16		V-2	NO	GOLD																																						
46015-0207			YES				46015-1407				YES																																							
46015-0211		GW V-0	YES				TIN			46015-1409	18		V-0	YES	TIN																																			
46015-0209			V-0							YES				46015-1412		NO																																		
46015-0210		GW V-0	YES							GOLD			46015-1602	20		V-0	NO	GOLD																																
46015-0212			V-0										NO				46015-1603		YES																															
46015-0402		V-0	NO										TIN			46015-1606	22		V-2	NO	TIN																													
46015-0403			YES													46015-1607				YES																														
46015-0406	V-2	NO	GOLD	46015-1609		24			V-0							YES			GOLD																															
46015-0407		YES		46015-1612												NO																																		
46015-0411	GW V-0	YES		TIN	46015-1802			26	V-0			NO				TIN																																		
46015-0409		V-0			YES							46015-1803								YES																														
46015-0410	GW V-0	YES			GOLD		46015-1806		28		V-2	NO			GOLD																																			
46015-0412		V-0					NO					46015-1807								YES																														
46015-0602	V-0	NO					TIN			46015-1809	30	V-0		YES				GOLD																																
46015-0603		YES								46015-1812				NO																																				
46015-0606	V-2	NO								GOLD		46015-2002	32	V-0			NO			GOLD																														
46015-0607		YES										46015-2003					YES																																	
46015-0611	GW V-0	YES	TIN			46015-2006						34		V-2			NO		TIN																															
46015-0609		V-0				YES											46015-2007				YES																													
46015-0610	GW V-0	YES		GOLD		46015-2009		36						V-0		YES	GOLD																																	
46015-0612		V-0				NO										46015-2012					NO																													
46015-0802	V-0	NO			TIN	46015-2202			38					V-0	NO	TIN																																		
46015-0803		YES				46015-2203									YES																																			
46015-0806	V-2	NO				GOLD	46015-2206				40			V-2	NO			GOLD																																
46015-0807		YES					46015-2207								YES																																			
46015-0811	GW V-0	YES					TIN			46015-2209			42	V-0	YES					TIN																														
46015-0809		V-0								YES					46015-2212						NO																													
46015-0810	GW V-0	YES	GOLD							46015-2402		44		V-0	NO				GOLD																															
46015-0812		V-0								NO					46015-2403						YES																													
46015-1002	V-0	NO		TIN				46015-2406		46				V-2	NO		GOLD																																	
46015-1003		YES						46015-2407							YES																																			
46015-1006	V-2	NO			GOLD			46015-2409	48					V-0	YES	GOLD																																		
46015-1007		YES						46015-2412							NO																																			
46015-1011	GW V-0	YES				TIN		<table border="1"> <tr> <td>4 PLACES</td> <td>±</td> <td>---</td> <td>±</td> <td>---</td> </tr> <tr> <td>3 PLACES</td> <td>±</td> <td>---</td> <td>±</td> <td>.010</td> </tr> <tr> <td>2 PLACES</td> <td>±</td> <td>0.25</td> <td>±</td> <td>.020</td> </tr> <tr> <td>1 PLACE</td> <td>±</td> <td>0.50</td> <td>±</td> <td>---</td> </tr> <tr> <td>0 PLACE</td> <td>±</td> <td>---</td> <td>±</td> <td>---</td> </tr> </table>						4 PLACES	±			---			±	---	3 PLACES	±	---	±	.010	2 PLACES	±	0.25	±	.020	1 PLACE	±	0.50	±	---	0 PLACE	±	---	±	---								
4 PLACES		±												---	±			---																																
3 PLACES	±	---					±						.010																																					
2 PLACES	±	0.25					±						.020																																					
1 PLACE	±	0.50	±				---																																											
0 PLACE	±	---	±				---																																											
46015-1009	V-0	YES	GOLD	<table border="1"> <tr> <td>ANGULAR</td> <td>±</td> <td>1/2°</td> </tr> </table>									ANGULAR	±	1/2°																																			
ANGULAR	±	1/2°																																																
46015-1010	GW V-0	YES											TIN	<table border="1"> <tr> <td>DRAFT WHERE APPLICABLE</td> <td>SIZE</td> <td>SEE CHART</td> </tr> </table>					DRAFT WHERE APPLICABLE	SIZE	SEE CHART																													
DRAFT WHERE APPLICABLE		SIZE																	SEE CHART																															
46015-1012	V-0	NO							<table border="1"> <tr> <td>THIS DRAWING CONTAINS INFORMATION THAT IS PROPRIETARY TO MOLEX</td> <td>INCORPORATED AND SHOULD NOT BE USED WITHOUT WRITTEN PERMISSION</td> </tr> </table>										THIS DRAWING CONTAINS INFORMATION THAT IS PROPRIETARY TO MOLEX	INCORPORATED AND SHOULD NOT BE USED WITHOUT WRITTEN PERMISSION																														
THIS DRAWING CONTAINS INFORMATION THAT IS PROPRIETARY TO MOLEX	INCORPORATED AND SHOULD NOT BE USED WITHOUT WRITTEN PERMISSION																																																	
46015-1202	V-0	NO																	GOLD	<table border="1"> <tr> <td>4 PLACES</td> <td>±</td> <td>---</td> <td>±</td> <td>---</td> </tr> <tr> <td>3 PLACES</td> <td>±</td> <td>---</td> <td>±</td> <td>.010</td> </tr> <tr> <td>2 PLACES</td> <td>±</td> <td>0.25</td> <td>±</td> <td>.020</td> </tr> <tr> <td>1 PLACE</td> <td>±</td> <td>0.50</td> <td>±</td> <td>---</td> </tr> <tr> <td>0 PLACE</td> <td>±</td> <td>---</td> <td>±</td> <td>---</td> </tr> </table>					4 PLACES	±	---	±	---	3 PLACES	±	---	±	.010	2 PLACES	±	0.25	±	.020	1 PLACE	±	0.50	±	---	0 PLACE	±	---	±	---	
4 PLACES		±																							---	±	---																							
3 PLACES	±	---																							±	.010																								
2 PLACES	±	0.25																							±	.020																								
1 PLACE	±	0.50	±	---																																														
0 PLACE	±	---	±	---																																														
46015-1203	YES	TIN	<table border="1"> <tr> <td>ANGULAR</td> <td>±</td> <td>1/2°</td> </tr> </table>					ANGULAR						±	1/2°																																			
ANGULAR	±							1/2°																																										
46015-1206	V-2							NO	GOLD	<table border="1"> <tr> <td>DRAFT WHERE APPLICABLE</td> <td>SIZE</td> <td>SEE CHART</td> </tr> </table>					DRAFT WHERE APPLICABLE	SIZE	SEE CHART																																	
DRAFT WHERE APPLICABLE								SIZE							SEE CHART																																			
46015-1207	YES							<table border="1"> <tr> <td>THIS DRAWING CONTAINS INFORMATION THAT IS PROPRIETARY TO MOLEX</td> <td>INCORPORATED AND SHOULD NOT BE USED WITHOUT WRITTEN PERMISSION</td> </tr> </table>							THIS DRAWING CONTAINS INFORMATION THAT IS PROPRIETARY TO MOLEX	INCORPORATED AND SHOULD NOT BE USED WITHOUT WRITTEN PERMISSION																																		
THIS DRAWING CONTAINS INFORMATION THAT IS PROPRIETARY TO MOLEX	INCORPORATED AND SHOULD NOT BE USED WITHOUT WRITTEN PERMISSION																																																	
46015-1211	GW V-0														YES	TIN	<table border="1"> <tr> <td>4 PLACES</td> <td>±</td> <td>---</td> <td>±</td> <td>---</td> </tr> <tr> <td>3 PLACES</td> <td>±</td> <td>---</td> <td>±</td> <td>.010</td> </tr> <tr> <td>2 PLACES</td> <td>±</td> <td>0.25</td> <td>±</td> <td>.020</td> </tr> <tr> <td>1 PLACE</td> <td>±</td> <td>0.50</td> <td>±</td> <td>---</td> </tr> <tr> <td>0 PLACE</td> <td>±</td> <td>---</td> <td>±</td> <td>---</td> </tr> </table>					4 PLACES	±	---	±	---	3 PLACES	±	---	±	.010	2 PLACES	±	0.25	±	.020	1 PLACE	±	0.50	±	---	0 PLACE	±	---	±	---				
4 PLACES															±							---	±	---																										
3 PLACES	±														---							±	.010																											
2 PLACES	±														0.25							±	.020																											
1 PLACE	±	0.50	±	---																																														
0 PLACE	±	---	±	---																																														
46015-1209	V-0	YES	GOLD	<table border="1"> <tr> <td>ANGULAR</td> <td>±</td> <td>1/2°</td> </tr> </table>									ANGULAR	±	1/2°																																			
ANGULAR	±	1/2°																																																
46015-1210	GW V-0	YES							TIN	<table border="1"> <tr> <td>DRAFT WHERE APPLICABLE</td> <td>SIZE</td> <td>SEE CHART</td> </tr> </table>					DRAFT WHERE APPLICABLE							SIZE	SEE CHART																											
DRAFT WHERE APPLICABLE		SIZE													SEE CHART																																			
46015-1212	V-0	NO													<table border="1"> <tr> <td>THIS DRAWING CONTAINS INFORMATION THAT IS PROPRIETARY TO MOLEX</td> <td>INCORPORATED AND SHOULD NOT BE USED WITHOUT WRITTEN PERMISSION</td> </tr> </table>					THIS DRAWING CONTAINS INFORMATION THAT IS PROPRIETARY TO MOLEX	INCORPORATED AND SHOULD NOT BE USED WITHOUT WRITTEN PERMISSION																													
THIS DRAWING CONTAINS INFORMATION THAT IS PROPRIETARY TO MOLEX	INCORPORATED AND SHOULD NOT BE USED WITHOUT WRITTEN PERMISSION																																																	

SEE SHEET 1 EC NO: UCP2014-4789 DRAWN: JFOX 2014/06/02 CHKD: BELL 2014/06/02 APPR: SMITH 2014/06/23	QUALITY SYMBOLS 	GENERAL TOLERANCES (UNLESS SPECIFIED)		DIMENSION STYLE		SCALE	DESIGN UNITS	THIRD ANGLE PROJECTION		
				IN/MM		1:1	METRIC			
				DRAWN BY DATE		DATE		TITLE		
				GREGORI 2006/04/27		DATE		VERTICAL HEADER ASSEMBLY DUAL ROW MINI-FIT PLUS HCS SERIES		
		CHECKED BY DATE		DATE		molex				
		JCOMERC I		DATE		SD-46015-001		SHEET NO.		
		APPROVED BY DATE		DATE				2 OF 2		
		SMITH 2010/04/09		DATE						
		MATERIAL NO.		DOCUMENT NO.						
		SEE CHART		SD-46015-001						
		DRAFT WHERE APPLICABLE MUST REMAIN WITHIN DIMENSIONS		THIS DRAWING CONTAINS INFORMATION THAT IS PROPRIETARY TO MOLEX INCORPORATED AND SHOULD NOT BE USED WITHOUT WRITTEN PERMISSION						