

Excellent Integrated System Limited

Stocking Distributor

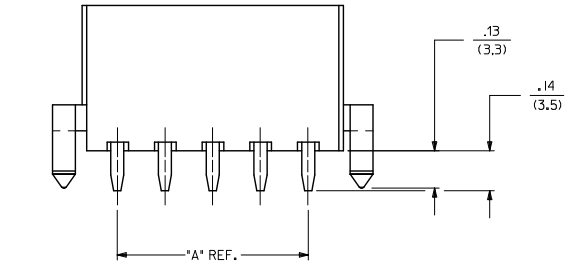
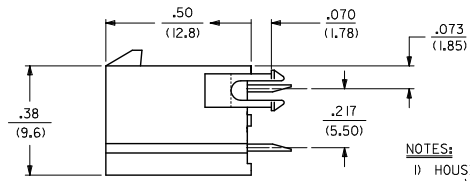
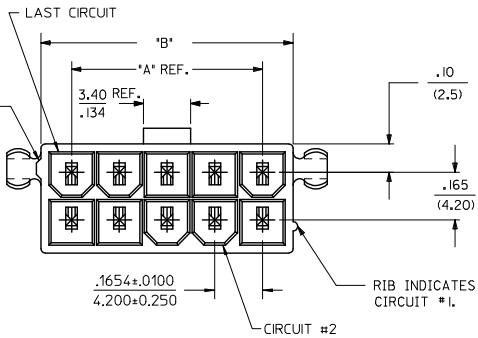
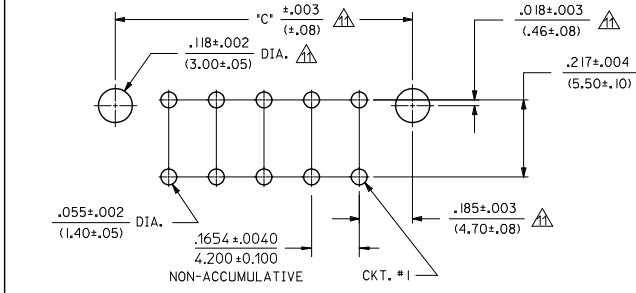
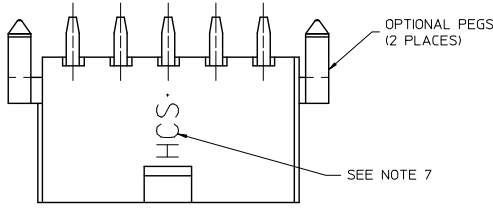
Click to view price, real time Inventory, Delivery & Lifecycle Information:

[Molex Connector Corporation](#)
[0460151402](#)

For any questions, you can email us directly:

sales@integrated-circuit.com

CIRCUIT SIZE	DIM. 'A'	DIM. 'B'	DIM. 'C'
2	—	.21 (5.4)	.370 (9.40)
4	.17 (4.2)	.38 (9.6)	.535 (13.60)
6	.33 (8.4)	.54 (13.8)	.701 (17.80)
8	.50 (12.6)	.71 (18.0)	.866 (22.00)
10	.66 (16.8)	.87 (22.2)	1.031 (26.20)
12	.83 (21.0)	1.04 (26.4)	1.197 (30.40)
14	.99 (25.2)	1.20 (30.6)	1.362 (34.60)
16	1.16 (29.4)	1.37 (34.8)	1.528 (38.80)
18	1.32 (33.6)	1.54 (39.0)	1.693 (43.00)
20	1.49 (37.8)	1.70 (43.2)	1.858 (47.20)
22	1.65 (42.0)	1.87 (47.4)	2.024 (51.40)
24	1.82 (46.2)	2.03 (51.6)	2.189 (55.60)



- NOTES:**
- HOUSING MATERIAL:
 - V-2 = NYLON 6/6, UNFILLED U.L. 94V-2, COLOR: NATURAL.
 - V-0 = NYLON 6/6, UNFILLED U.L. 94V-0, COLOR: NATURAL.
 - GW V-0 = NYLON UL94V-0, COLOR: BLACK IEC 60335-1 4TH EDITION GLOW WIRE CAPABLE
 - TERMINAL PLATING:
 - TERMINAL MATERIAL: COPPER ALLOY.
 - TIN = .000100/(.00254) MIN. MATTE TIN OVER .000050/(.00127) MIN. NICKEL OVERALL
 - GOLD = .000030/(.00080) MIN. SELECT GOLD, .000100/(.00254) MIN. MATTE TIN OVER .000050/(.00127) MIN. NICKEL OVERALL
 - PRODUCT SPECIFICATION: PS-45750-001
 - PACKAGING SPECIFICATION: PK-5566-001.
 - PART MATES WITH MINI-FIT JR. RECEPTACLE NO. 5557.
 - PART ARE NOT TO BE MATED OR UN-MATED WHILE CIRCUITS ARE LIVE.
 - PARTS TO HAVE "HCS" MARKING
 - PART CONFORMS TO CLASS B OF COSMETIC SPECIFICATION PS-45499-002 WITH THE EXCEPTION OF DISCOLORATION, FLASH, AND SINK MEET CLASS "C" REQUIREMENTS.
 - PART IS NOT DESIGNED FOR CURRENT SHARING.
 - ANTI-SHINGLING RIB MAY OR MAY NOT APPEAR ON HOUSINGS.
- ▲ LOCATION OF .118/3.00 DIAMETER HOLES ON P.C. BOARD IS FOR OPTIONAL PEGS.

ADD NOTE #11 EC NO: UCP2014-4789 DRAWN: JBOX 2014/06/02 CHKD: BELL 2014/06/02 APPR: SMITH 2014/06/23	QUALITY SYMBOLS	GENERAL TOLERANCES (UNLESS SPECIFIED)		DIMENSION STYLE		SCALE	DESIGN UNITS	THIRD ANGLE PROJECTION
		mm	INCH	IN/MM		4:1	METRIC	☉
REV C4	▽=0	4 PLACES ±---	±---	DRAWN BY	DATE	TITLE VERTICAL HEADER ASSEMBLY DUAL ROW MINI-FIT PLUS HCS SERIES molex DOCUMENT NO. SD-46015-001 SHEET NO. 1 OF 2		
	▽=0	3 PLACES ±---	±.010	T GREGOR I	2006/04/27			
	▽=0	2 PLACES ±0.25	±.020	CHECKED BY	DATE			
	▽=0	1 PLACE ±0.50	±---	JCOMERC I	DATE			
		0 PLACE ±---	±---	APPROVED BY	DATE			
				F SMITH	2010/04/09			
		ANGULAR ±1/2°		MATERIAL NO.		DOCUMENT NO.		
		DRAFT WHERE APPLICABLE MUST REMAIN WITHIN DIMENSIONS		SEE TABLE				
		THIS DRAWING CONTAINS INFORMATION THAT IS PROPRIETARY TO MOLEX INCORPORATED AND SHOULD NOT BE USED WITHOUT WRITTEN PERMISSION						

ITEM NO.	CKT SIZE	HOUSING MATERIAL	PEGS	PLATING	ITEM NO.	CKT SIZE	HOUSING MATERIAL	PEGS	PLATING				
46015-0202	2	V-0	NO	TIN	46015-1402	14	V-0	NO	TIN				
46015-0203			YES		46015-1403			YES					
46015-0206		V-2	NO		46015-1406		NO						
46015-0207			YES		46015-1407		YES						
46015-0211		GW V-0	YES		46015-1409		YES						
46015-0209			V-0		YES		46015-1412	NO					
46015-0210	GW V-0	YES	46015-1602	NO	16	V-0	NO	TIN					
46015-0212		V-0	NO	46015-1603			YES						
46015-0402	4	V-0	NO	46015-1606		NO	V-2		NO	GOLD			
46015-0403			YES	46015-1607		YES							
46015-0406		V-2	NO	46015-1609		YES							
46015-0407			YES	46015-1612		NO							
46015-0411	GW V-0	YES	46015-1802	NO	18	V-0	NO	TIN					
46015-0409		V-0	YES	46015-1803			YES						
46015-0410	GW V-0	YES	46015-1806	NO		V-2	NO		GOLD				
46015-0412		V-0	NO	46015-1807			YES						
46015-0602	6	V-0	NO	46015-1809		YES	V-0			YES	GOLD		
46015-0603			YES	46015-1812		NO							
46015-0606		V-2	NO	46015-2002	V-0	NO	20	V-2		TIN			
46015-0607			YES	46015-2003	YES								
46015-0611		GW V-0	YES	46015-2006	NO	V-0		NO	GOLD				
46015-0609			V-0	YES	46015-2007			YES					
46015-0610	GW V-0	YES	46015-2009	YES	V-0	NO		GOLD					
46015-0612		V-0	NO	46015-2012		NO							
46015-0802	8	V-0	NO	46015-2202	V-0	NO	22			V-0	TIN		
46015-0803			YES	46015-2203	YES								
46015-0806		V-2	NO	46015-2206	NO	V-2			NO	GOLD			
46015-0807			YES	46015-2207	YES								
46015-0811		GW V-0	YES	46015-2209	YES	V-0		NO	GOLD				
46015-0809			V-0	YES	46015-2212			NO					
46015-0810		GW V-0	YES	46015-2402	V-0	NO		24				V-0	TIN
46015-0812			V-0	NO	46015-2403	YES							
46015-1002	10	V-0	NO	46015-2406	NO	V-2	NO				GOLD		
46015-1003			YES	46015-2407	YES								
46015-1006		V-2	NO	46015-2409	YES	V-0	YES			GOLD			
46015-1007			YES	46015-2412	NO								
46015-1011		GW V-0	YES										
46015-1009			V-0	YES									
46015-1010	GW V-0	YES											
46015-1012		V-0	NO										
46015-1202	12	V-0	NO										
46015-1203			YES										
46015-1206		V-2	NO										
46015-1207			YES										
46015-1211		GW V-0	YES										
46015-1209			V-0	YES									
46015-1210		GW V-0	YES										
46015-1212			V-0	NO									

SEE SHEET 1 EC NO: UCP2014-4789 DRWN: JFOX 2014/06/02 CHKD: BELL 2014/06/02 APPR: SMITH 2014/06/23 DESCRIPTION REV C4	QUALITY SYMBOLS	GENERAL TOLERANCES (UNLESS SPECIFIED)	DIMENSION STYLE	SCALE	DESIGN UNITS	THIRD ANGLE PROJECTION
	☐=0 ▽=0 ∇=0	mm INCH	DRAWN BY DATE	1:1	METRIC	VERTICAL HEADER ASSEMBLY DUAL ROW MINI-FIT PLUS HCS SERIES molex MATERIAL NO. SD-46015-001 DOCUMENT NO. SHEET NO. 2 OF 2
		4 PLACES ± --- ± ---	T GREGOR I 2006/04/27	TITLE		
		3 PLACES ± --- ± .010	CHECKED BY DATE			
		2 PLACES ± 0.25 ± .020	JCOMERC I			
	1 PLACE ± 0.50 ± ---	APPROVED BY DATE				
0 PLACE ± --- ± ---	SMITH 2010/04/09					