

Excellent Integrated System Limited

Stocking Distributor

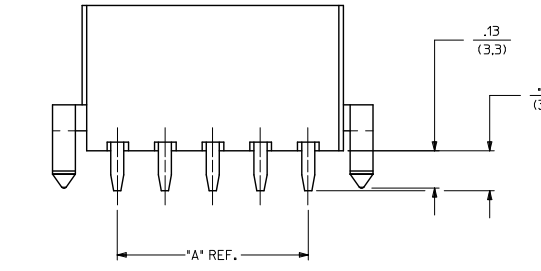
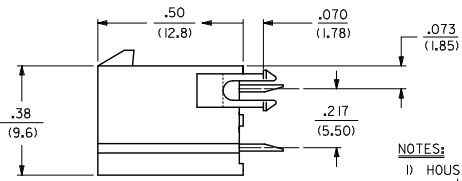
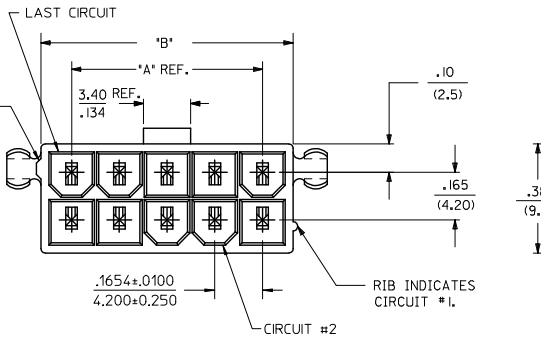
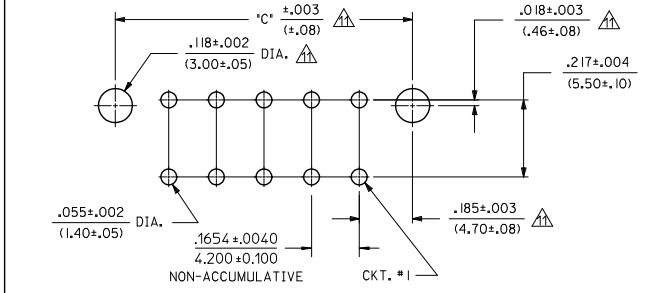
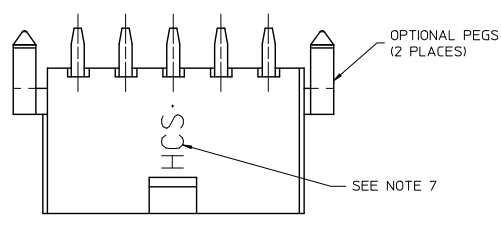
Click to view price, real time Inventory, Delivery & Lifecycle Information:

[Molex Connector Corporation](#)
[0460151606](#)

For any questions, you can email us directly:

sales@integrated-circuit.com

CIRCUIT SIZE	DIM. 'A'	DIM. 'B'	DIM. 'C'
2	—	.21 (5.4)	.370 (9.40)
4	.17 (4.2)	.38 (9.6)	.535 (13.60)
6	.33 (8.4)	.54 (13.8)	.701 (17.80)
8	.50 (12.6)	.71 (18.0)	.866 (22.00)
10	.66 (16.8)	.87 (22.2)	1.031 (26.20)
12	.83 (21.0)	1.04 (26.4)	1.197 (30.40)
14	.99 (25.2)	1.20 (30.6)	1.362 (34.60)
16	1.16 (29.4)	1.37 (34.8)	1.528 (38.80)
18	1.32 (33.6)	1.54 (39.0)	1.693 (43.00)
20	1.49 (37.8)	1.70 (43.2)	1.858 (47.20)
22	1.65 (42.0)	1.87 (47.4)	2.024 (51.40)
24	1.82 (46.2)	2.03 (51.6)	2.189 (55.60)



- NOTES:**
- HOUSING MATERIAL:
V-2 = NYLON 6/6, UNFILLED U.L. 94V-2, COLOR: NATURAL.
V-0 = NYLON 6/6, UNFILLED U.L. 94V-0, COLOR: NATURAL.
GW V-0 = NYLON UL94V-0, COLOR: BLACK
IEC 60335-1 4TH EDITION GLOW WIRE CAPABLE
TERMINAL MATERIAL: COPPER ALLOY.
 - TERMINAL PLATING:
TIN = .000100/(.00254) MIN. MATTE TIN OVER .000050/(.00127) MIN. NICKEL OVERALL
GOLD = .000030/(.00080) MIN. SELECT GOLD, .000100/(.00254) MIN. MATTE TIN OVER .000050/(.00127) MIN. NICKEL OVERALL
 - PRODUCT SPECIFICATION: PS-45750-001
 - PACKAGING SPECIFICATION: PK-5566-001.
 - PART MATES WITH MINI-FIT JR. RECEPTACLE NO. 5557.
 - PART ARE NOT TO BE MATED OR UN-MATED WHILE CIRCUITS ARE LIVE.
 - PARTS TO HAVE "HCS" MARKING
 - PART CONFORMS TO CLASS B OF COSMETIC SPECIFICATION PS-45499-002 WITH THE EXCEPTION OF DISCOLORATION, FLASH, AND SINK MEET CLASS "C" REQUIREMENTS.
 - PART IS NOT DESIGNED FOR CURRENT SHARING.
 - ANTI-SHINGLING RIB MAY OR MAY NOT APPEAR ON HOUSINGS.
- ▲ LOCATION OF .118/3.00 DIAMETER HOLES ON P.C. BOARD IS FOR OPTIONAL PEGS.

ADD NOTE #11 EC NO: UCP2014-4789 2014/06/02 DRAWN: JBOX CHKD: BELL APPR: SMITH 2014/06/23	QUALITY SYMBOLS	GENERAL TOLERANCES (UNLESS SPECIFIED)		DIMENSION STYLE		SCALE	DESIGN UNITS	THIRD ANGLE PROJECTION			
		mm	INCH	IN/MM		4:1	METRIC	☉			
REV C4	▽=0	4 PLACES	±---	±---	DRAWN BY	DATE	TITLE VERTICAL HEADER ASSEMBLY DUAL ROW MINI-FIT PLUS HCS SERIES molex DOCUMENT NO. SD-46015-001 SHEET NO. 1 OF 2				
	▽=0	3 PLACES	±---	±.010	T GREGOR I	2006/04/27					
	▽=0	2 PLACES	±0.25	±.020	CHECKED BY	DATE					
	▽=0	1 PLACE	±0.50	±---	JCOMERC I	DATE					
		0 PLACE	±---	±---	APPROVED BY	DATE					
					SMITH	2010/04/09					
					MATERIAL NO.						
					ANGULAR ±1/2°						
					DRAFT WHERE APPLICABLE MUST REMAIN WITHIN DIMENSIONS						
					SEE TABLE						
					THIS DRAWING CONTAINS INFORMATION THAT IS PROPRIETARY TO MOLEX INCORPORATED AND SHOULD NOT BE USED WITHOUT WRITTEN PERMISSION						



Distributor of Molex Connector Corporation: Excellent Integrated System Limited

Datasheet of 0460151606 - MF+ HCS VERT HDR DR 16CKT V-2

Contact us: sales@integrated-circuit.com Website: www.integrated-circuit.com

ITEM NO.	CKT SIZE	HOUSING MATERIAL	PEGS	PLATING	ITEM NO.	CKT SIZE	HOUSING MATERIAL	PEGS	PLATING											
46015-0202	2	V-0	NO	TIN	46015-1402	14	V-0	NO	TIN											
46015-0203			YES		46015-1403			YES												
46015-0206		V-2	NO		GOLD		46015-1406	16		V-2	NO	GOLD								
46015-0207			YES				46015-1407				YES									
46015-0211		GW V-0	YES				46015-1409			18	V-0		YES	TIN						
46015-0209			YES				46015-1412						NO							
46015-0210		GW V-0	YES				TIN				46015-1602		20		V-0	NO	GOLD			
46015-0212			NO								46015-1603					YES				
46015-0402		V-0	NO								GOLD				46015-1606	22		V-2	NO	GOLD
46015-0403			YES												46015-1607				YES	
46015-0406	V-2	NO	TIN	46015-1609		24			V-0						YES			TIN		
46015-0407		YES		46015-1612											NO					
46015-0411	GW V-0	YES		TIN	46015-1802			26	V-0			NO			GOLD					
46015-0409		YES			46015-1803							YES								
46015-0410	GW V-0	YES			GOLD				46015-1806	28		V-2		NO					GOLD	
46015-0412		NO							46015-1807					YES						
46015-0602	V-0	NO					TIN		46015-1809			30	V-0	YES			GOLD			
46015-0603		YES							46015-1812					NO						
46015-0606	V-2	NO							GOLD		46015-2002		32	V-0		NO				GOLD
46015-0607		YES									46015-2003					YES				
46015-0611	GW V-0	YES	GOLD			46015-2006					34			V-2		NO		GOLD		
46015-0609		YES				46015-2007										YES				
46015-0610	GW V-0	YES		GOLD		46015-2009		36						V-0	YES	GOLD				
46015-0612		NO				46015-2012									NO					
46015-0802	V-0	NO			TIN	46015-2202				38				V-0	NO				GOLD	
46015-0803		YES				46015-2203									YES					
46015-0806	V-2	NO				TIN	46015-2206					40		V-2	NO		GOLD			
46015-0807		YES					46015-2207								YES					
46015-0811	GW V-0	YES					GOLD		46015-2209				42	V-0	YES					GOLD
46015-0809		YES							46015-2212						NO					
46015-0810	GW V-0	YES	GOLD						46015-2402		44			V-0	NO			GOLD		
46015-0812		NO							46015-2403						YES					
46015-1002	V-0	NO		TIN				46015-2406	46					V-2	NO	GOLD				
46015-1003		YES						46015-2407							YES					
46015-1006	V-2	NO			TIN			46015-2409		48				V-0	YES				GOLD	
46015-1007		YES						46015-2412							NO					
46015-1011	GW V-0	YES				GOLD														
46015-1009		YES																		
46015-1010	GW V-0	YES					GOLD													
46015-1012		NO																		
46015-1202	V-0	NO	TIN																	
46015-1203		YES																		
46015-1206	V-2	NO		TIN																
46015-1207		YES																		
46015-1211	GW V-0	YES			GOLD															
46015-1209		YES																		
46015-1210	GW V-0	YES				GOLD														
46015-1212		NO																		

SEE SHEET 1 EC NO: UCP2014-4789 DRAWN: JFOX 2014/06/02 CHKD: BELL 2014/06/02 APPR: SMITH 2014/06/23	QUALITY SYMBOLS 	GENERAL TOLERANCES (UNLESS SPECIFIED)		DIMENSION STYLE		SCALE	DESIGN UNITS	THIRD ANGLE PROJECTION	
				IN/MM		1:1	METRIC		
		4 PLACES	± ---	± ---	DRAWN BY	DATE	VERTICAL HEADER ASSEMBLY DUAL ROW MINI-FIT PLUS HCS SERIES 		
		3 PLACES	± ---	± .010	T GREGOR I	2006/04/27			
2 PLACES	± 0.25	± .020	CHECKED BY	DATE					
1 PLACE	± 0.50	± ---	JCOMERC I	DATE					
0 PLACE	± ---	± ---	APPROVED BY	DATE					
		ANGULAR ±1/2°		MATERIAL NO.	DOCUMENT NO.				
DRAFT WHERE APPLICABLE MUST REMAIN WITHIN DIMENSIONS		SEE CHART		SD-46015-001	SHEET NO. 2 OF 2				
THIS DRAWING CONTAINS INFORMATION THAT IS PROPRIETARY TO MOLEX INCORPORATED AND SHOULD NOT BE USED WITHOUT WRITTEN PERMISSION									