

Excellent Integrated System Limited

Stocking Distributor

Click to view price, real time Inventory, Delivery & Lifecycle Information:

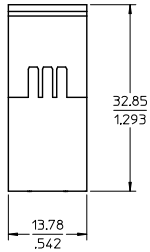
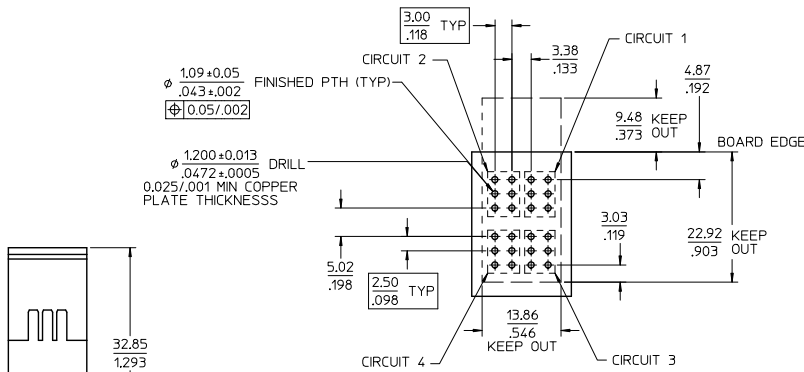
[Molex Connector Corporation](#)
[0460811000](#)

For any questions, you can email us directly:

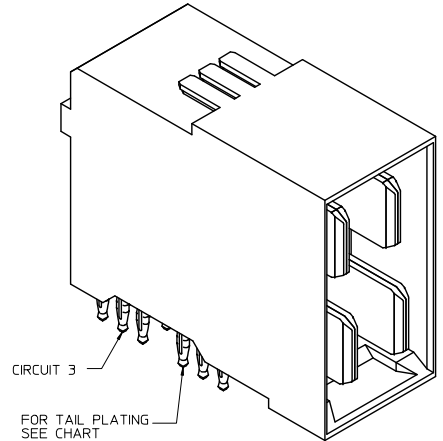
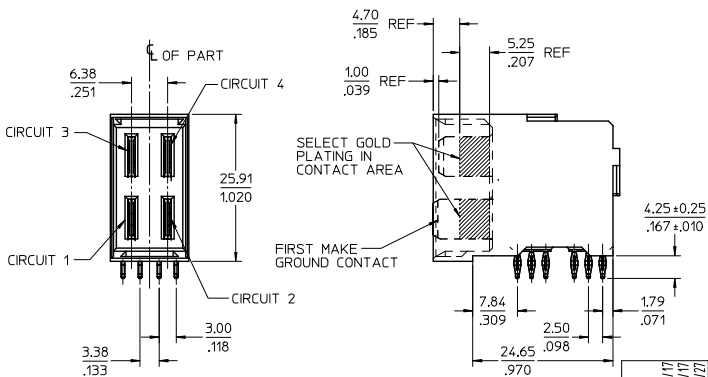
sales@integrated-circuit.com

NOTES:

1. MATERIALS:
- HOUSING: 30% GLASS FILLED, LCP 94V-0, COLOR BLACK
- TERMINALS: COPPER ALLOY
PLATING:
0.76 MICROMETER (30 MICRON) MINIMUM GOLD IN CONTACT AREA
SELECTIVE MATTE TIN ON PCB TAILS
NICKEL UNDERPLATE OVERALL
2. PLUG MATES WITH RECEPTACLE ASSEMBLY 46079-10**
3. MODULE IS DESIGNED FOR PRESS FIT TO THE PCB
4. MODULE ASSEMBLY IS RoHS COMPLIANT
5. MODULES TO BE UL & CSA LISTED PER UL-1977
6. AVERAGE INSERTION FORCE INTO PCB IS 8.2 kg/18 lbs PER TAIL
7. PRODUCT PERFORMANCE AND RATING PER PS-75431-****
8. APPLICATION SPEC PER AS-75541-****
9. RECOMMENDED PCB DRILL HOLE DIA 1.180/0465 (#56 DRILL)
10. FOR MODULE CONFIGURATION SEE DRAWING SD-75541-001



PCB LAYOUT
2.40/.094 MIN THICK



UPDATE PER ISIR	EC NO. 2015/02/17	QUALITY SYMBOLS	GENERAL TOLERANCES (UNLESS SPECIFIED)	DIMENSION STYLE	SCALE	DESIGN UNITS	THIRD ANGLE PROJECTION
	2015/02/17	▽=0	mm INCH	MM/IN	2:1	METRIC	PROJECTION
DRW: JUILLES	2015/02/17	▽=0	4 PLACES ±---	DRAWN BY	DATE	ASSEMBLY - PLUG 4 CIRCUIT - PRESS FIT MULTI PATH molex	
CHK: CHANDRA	2015/02/17	▽=0	3 PLACES ±---	JUILLES	2015/08/01		
APPR: APATEL	2015/02/17	▽=0	2 PLACES ±0.20 ±.013	CHECKED BY	DATE		
REV			1 PLACE ±0.33 ±---	MDATA	2015/08/04		
			0 PLACE ±	APPROVED BY	DATE		
			ANGULAR ±1/2°	APATEL	2015/08/05		
			DRAFT WHERE APPLICABLE MUST REMAIN WITHIN DIMENSIONS	MATERIAL NO.	DOCUMENT NO.	SHEET NO. 1 OF 1	
				46081-1000	SD-46081-100		
				THIS DRAWING CONTAINS INFORMATION THAT IS PROPRIETARY TO MOLEX INCORPORATED AND SHOULD NOT BE USED WITHOUT WRITTEN PERMISSION			