

Excellent Integrated System Limited

Stocking Distributor

Click to view price, real time Inventory, Delivery & Lifecycle Information:

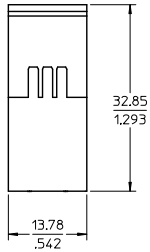
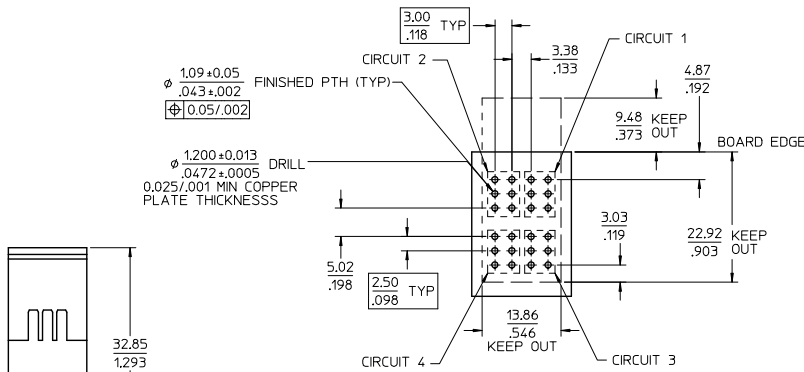
[Molex Connector Corporation](#)
[0460811001](#)

For any questions, you can email us directly:

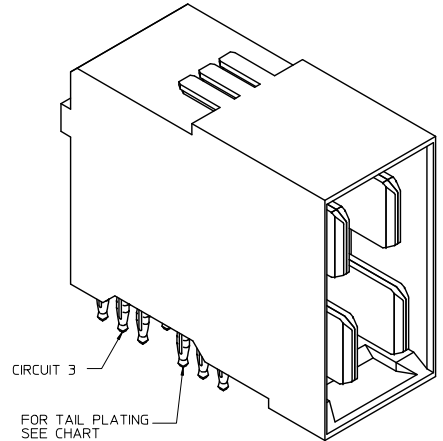
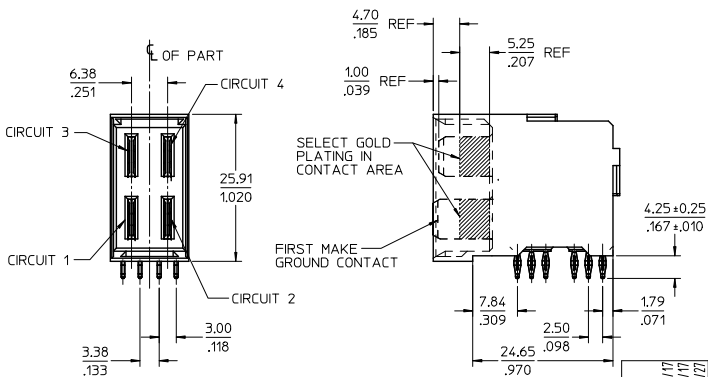
sales@integrated-circuit.com

NOTES:

1. MATERIALS:
- HOUSING: 30% GLASS FILLED, LCP 94V-0, COLOR BLACK
- TERMINALS: COPPER ALLOY
PLATING:
0.76 MICROMETER (30 MICRON) MINIMUM GOLD IN CONTACT AREA
SELECTIVE MATTE TIN ON PCB TAILS
NICKEL UNDERPLATE OVERALL
2. PLUG MATES WITH RECEPTACLE ASSEMBLY 46079-10**
3. MODULE IS DESIGNED FOR PRESS FIT TO THE PCB
4. MODULE ASSEMBLY IS RoHS COMPLIANT
5. MODULES TO BE UL & CSA LISTED PER UL-1977
6. AVERAGE INSERTION FORCE INTO PCB IS 8.2 kg/18 lbs PER TAIL
7. PRODUCT PERFORMANCE AND RATING PER PS-75431-****
8. APPLICATION SPEC PER AS-75541-****
9. RECOMMENDED PCB DRILL HOLE DIA 1.180/0465 (#56 DRILL)
10. FOR MODULE CONFIGURATION SEE DRAWING SD-75541-001



PCB LAYOUT
2.40/.094 MIN THICK



UPDATE PER ISIR EC NO. 2015/02/17 DRAWN: JOULES 2015/02/17 CHK: CHANDRA 2015/02/17 APPR: APATEL 2015/02/17	QUALITY SYMBOLS ▽=0 ▽=0 ▽=0	GENERAL TOLERANCES (UNLESS SPECIFIED)		DIMENSION STYLE		SCALE	DESIGN UNITS	THIRD ANGLE PROJECTION		
				MM/IN		2:1	METRIC			
						DRAWN BY	DATE	TITLE		
						CHECKED BY	DATE	ASSEMBLY - PLUG 4 CIRCUIT - PRESS FIT MULTI PATH		
						APPROVED BY	DATE	molex		
						APATEL	2015/08/05			
		ANGULAR ±1/2°		MATERIAL NO.		DOCUMENT NO.		SHEET NO.		
		DRAFT WHERE APPLICABLE MUST REMAIN WITHIN DIMENSIONS		46081-1000		SD-46081-100		1 OF 1		
THIS DRAWING CONTAINS INFORMATION THAT IS PROPRIETARY TO MOLEX INCORPORATED AND SHOULD NOT BE USED WITHOUT WRITTEN PERMISSION										