

Excellent Integrated System Limited

Stocking Distributor

Click to view price, real time Inventory, Delivery & Lifecycle Information:

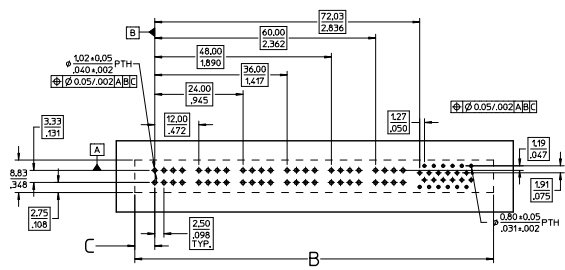
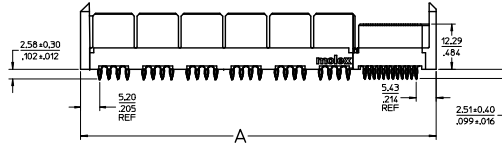
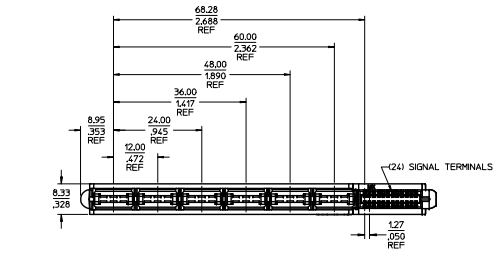
[Molex Connector Corporation](#)
[0461141232](#)

For any questions, you can email us directly:

sales@integrated-circuit.com

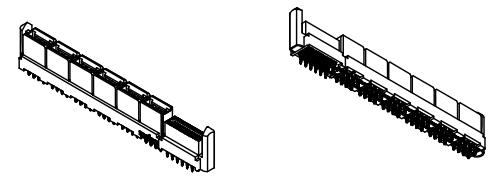
20 19 18 17 16 15 14 13 12 11 10 9 8 7 6 5 4 3 2 1

H L K J I H G F E D C B A



NO OF SIGNALS	MATERIAL NUMBER	COMPLIANT PIN PLATING	DM A	DM B	DM C
12	46114-1212	TIN	89.01/3.504	89.51/3.524	
16	46114-1216	TIN	91.55/3.604	92.05/3.624	
20	46114-1220	TIN	94.09/3.704	94.59/3.724	
24	46114-1224	TIN	96.63/3.804	97.13/3.824	5.45/215
28	46114-1228	TIN	99.17/3.904	99.67/3.924	
32	46114-1232	TIN	101.71/4.004	102.21/4.024	
36	46114-1236	TIN	104.25/4.104	104.75/4.124	
40	46114-1240	TIN	106.79/4.204	107.29/4.224	

- NOTES:
1. MATERIAL: HOUSING: LCP, 94-VO, COLOR: BLACK. POWER CONTACTS: COPPER ALLOY. SIGNAL CONTACTS: MODIFIED TIN BRASS.
 2. FINISH: SELECT GOLD - 0.25 μM/100 μ INCHES. SELECTED TIN - 2.50 μM/100 μ INCHES BOTH OVER NICKEL - 1.25 μM/50 μ INCHES
 3. POWER TERMINALS ARE LUBRICATED IN CONTACT AREA.
 4. PARTS ARE ROHS COMPLIANT.
 5. MATES TO MOLEX P/N 45985-SERIES OR EDGE CARD 157/062.
 6. PRODUCT SPECIFICATION PS-46114-001.
 7. PACKAGING: PER PK-46114-003.



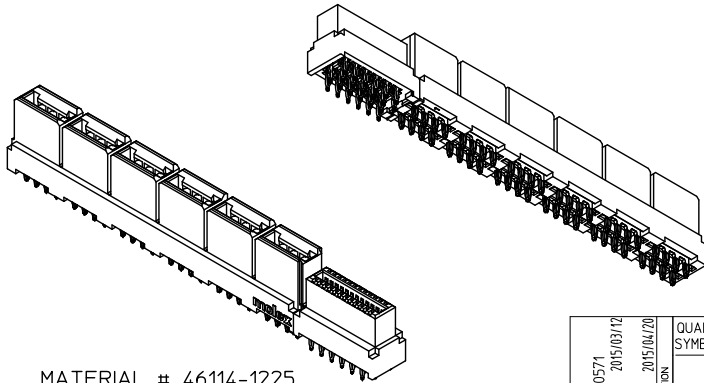
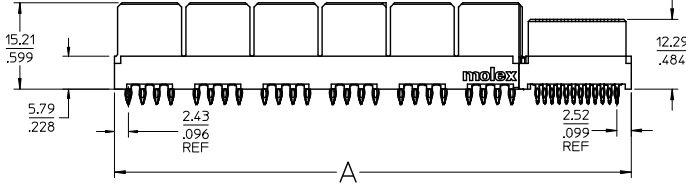
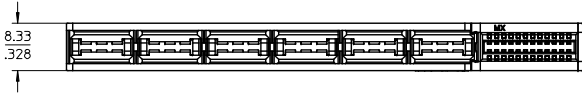
MATERIAL # 46114-1224 SHOWN

REVISE CARD EDGE EC INCL: LUPP205-0571 IT: DRW: BHANDARA - 20/05/03/12 CHKD: CHIK APPR: APATEL DATE: 20/05/03/12	QUALITY SYMBOLS	GENERAL TOLERANCES (UNLESS SPECIFIED)	DIMENSION STYLE	SCALE	DESIGN UNITS	THIRD ANGLE PROJECTION	
	4 PLACES ±---+--- 3 PLACES ±---+--- 2 PLACES ±---+--- 1 PLACE ±---+---	mm INCH ±---+--- ±---+--- ±---+--- ±---+--- ±---+--- ±---+--- ±---+--- ±---+---	DRAWN BY: MKARADIMAS CHECKED BY: APATEL APPROVED BY: JCOMERC I DATE: 2007/07/18 DATE: 2007/07/20 DATE: 2009/12/03	MM/IN	2:1	METRIC	LPH VERTICAL RECEPTACLE COMPLIANT PIN ASSEMBLY 12CKT PWR CON. PRESS FIT
	DRAFT WHERE APPLICABLE MUST REMAIN WITHIN DIMENSIONS	ANGULAR ±1/2°	MATERIAL NO: SEE CHART				MOLEX INCORPORATED DOCUMENT NO: SD-46114-120 SHEET NO: 1 OF 3
			THIS DRAWING CONTAINS INFORMATION THAT IS PROPRIETARY TO MOLEX INCORPORATED AND SHOULD NOT BE USED WITHOUT WRITTEN PERMISSION				

R2: Name: D.P. Ash, T Rev: E 2008/04/15

19 18 17 16 15 14 13 12 11 10 9 8 7 6 5 4 3 2 1

13 12 11 10 9 8 7 6 5 4 3 2 1



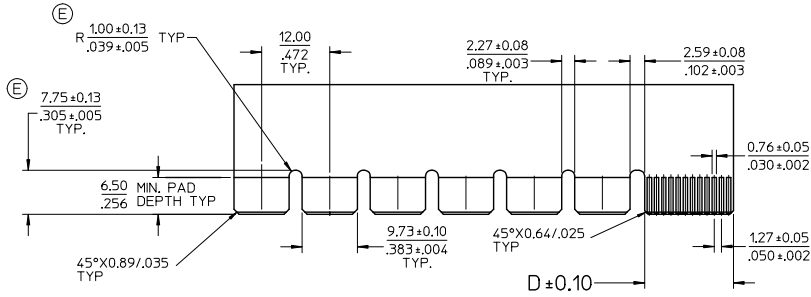
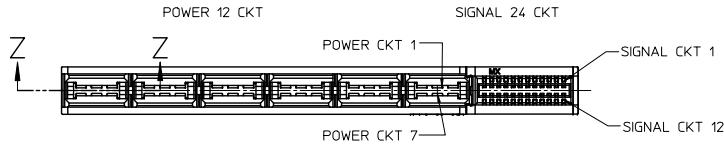
MATERIAL # 46114-1225
SHOWN

NO. OF SIGNALS	MATERIAL NUMBER	COMPLIANT PIN PLATING	DIM A	DIM B	DIM C
12	46114-1213	TIN	83.34/3.281	84.84/3.301	2.69/106
16	46114-1217	TIN	85.88/3.381	86.38/3.401	
20	46114-1221	TIN	88.42/3.481	88.92/3.501	
24	46114-1225	TIN	90.96/3.581	91.46/3.601	
28	46114-1229	TIN	93.50/3.681	94.00/3.701	
32	46114-1233	TIN	96.04/3.781	96.54/3.801	
36	46114-1237	TIN	98.58/3.881	99.08/3.901	
40	46114-1241	TIN	101.12/3.981	102.62/4.001	

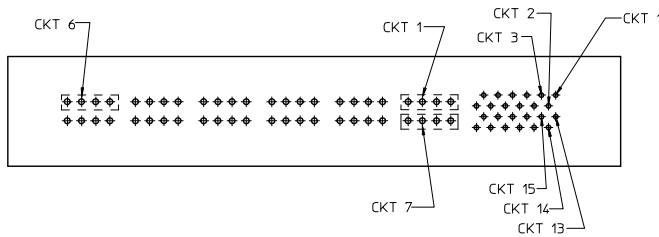
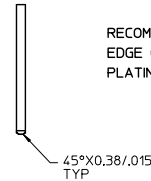
SEE SHEET 1 EC NO: UCP2015-0571 DRAWING NUMBER: 2015/03/12 CHKD: DRWINGBANDURA APPR: APATEL DATE: 2015/04/20 REV: DESCRIPTION	QUALITY SYMBOLS	GENERAL TOLERANCES (UNLESS SPECIFIED)	DIMENSION STYLE	SCALE	DESIGN UNITS	THIRD ANGLE PROJECTION	
		mm INCH	MM/IN	2:1	METRIC		
		4 PLACES ± --- ± ---	DRAWN BY	DATE	TITLE		
		3 PLACES ± --- ± .010	CHKD BY	DATE	LPH VERTICAL RECEPTACLE COMPLIANT PIN ASSEMBLY		
	2 PLACES ± 0.25 ± ---	APPROVED BY	DATE	12CKT PWR CON, PRESS FIT			
	1 PLACE ± --- ± ---	JCOMERC I	2009/12/03	MOLEX INCORPORATED			
	ANGULAR ± 1/2°	MATERIAL NO. SEE CHART		DOCUMENT NO. SD-46114-120		SHEET NO. 2 OF 3	
DRAFT WHERE APPLICABLE MUST REMAIN WITHIN DIMENSIONS		THIS DRAWING CONTAINS INFORMATION THAT IS PROPRIETARY TO MOLEX INCORPORATED AND SHOULD NOT BE USED WITHOUT WRITTEN PERMISSION					

12 11 10 9 8 7 6 5 4 3 2 1

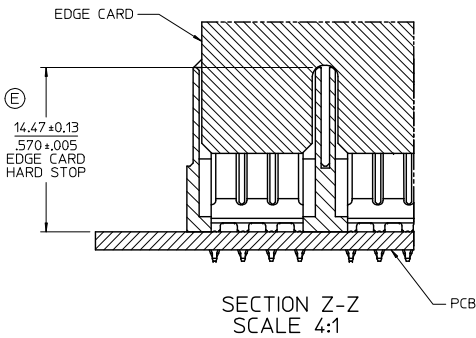
NO. OF SIGNAL	DIM. D
12	8.00/.315
16	10.54/.415
20	13.08/.515
24	15.62/.615
28	18.16/.715
32	20.70/.815
36	23.24/.915
40	25.78/1.015



RECOMMENDED EDGE CARD LAYOUT
 EDGE CARD THICKNESS: 1.57/0.062 ± 0.15/0.006
 PLATING: GOLD 30 μ INCHES MIN.
 OVER 150 μ INCHES NICKEL.



PCB LAYOUT: COMPONENT SIDE
 SEE SHT 1 FOR DIMENSIONS



SEE SHEET 1 EC NO: UCP2015-0571 DRAWING NO: 2015/03/12 CHKD: DRWINGBANDURA APPR: APATEL 2015/04/20	QUALITY SYMBOLS	GENERAL TOLERANCES (UNLESS SPECIFIED)		DIMENSION STYLE MM/IN		SCALE 2:1	DESIGN UNITS METRIC	THIRD ANGLE PROJECTION	
		4 PLACES ± --- ± ---	3 PLACES ± --- ± .010	2 PLACES ± 0.25 ± ---	1 PLACE ± --- ± ---	ANGULAR ± 1/2°	DRAWN BY MKARADIMAS DATE 2007/07/18	CHECKED BY APATEL DATE 2007/07/20	TITLE LPH VERTICAL RECEPTACLE COMPLIANT PIN ASSEMBLY 12CKT PWR CON, PRESS FIT
		DRAFT WHERE APPLICABLE MUST REMAIN WITHIN DIMENSIONS			SEE CHART	MATERIAL NO.	DOCUMENT NO. SD-46114-120	MOLEX INCORPORATED	SHEET NO. 3 OF 3
		THIS DRAWING CONTAINS INFORMATION THAT IS PROPRIETARY TO MOLEX INCORPORATED AND SHOULD NOT BE USED WITHOUT WRITTEN PERMISSION							