

Excellent Integrated System Limited

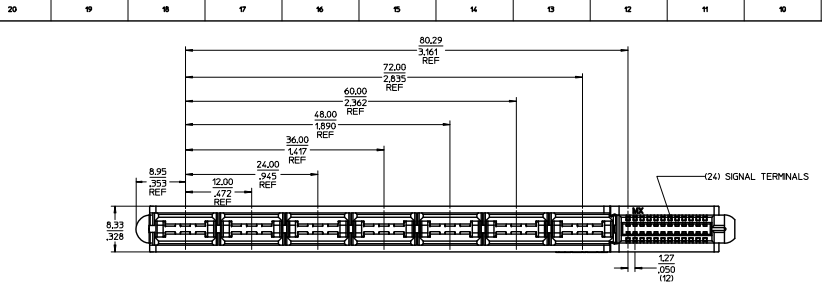
Stocking Distributor

Click to view price, real time Inventory, Delivery & Lifecycle Information:

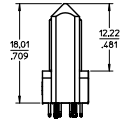
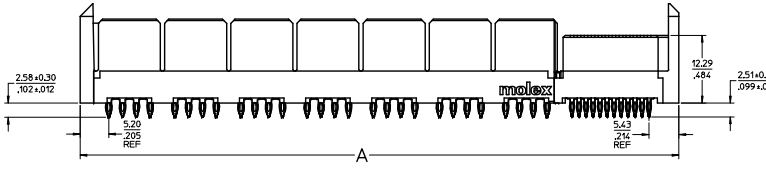
[Molex Connector Corporation](#)
[0461141433](#)

For any questions, you can email us directly:

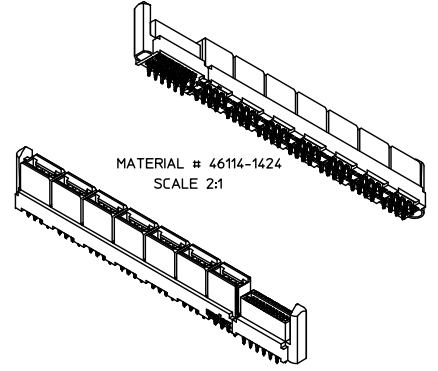
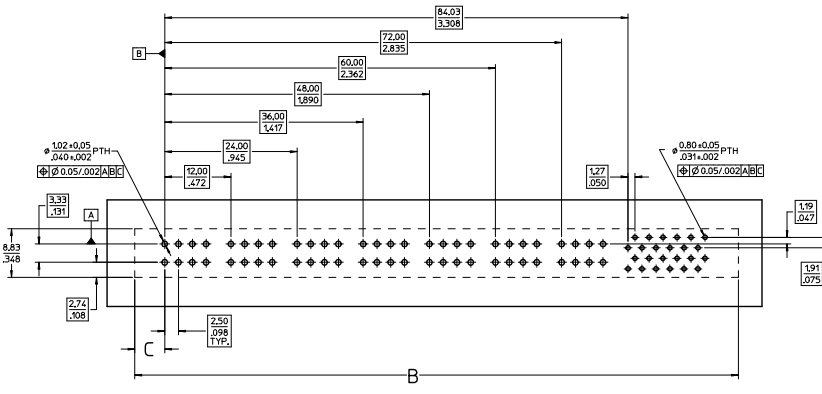
sales@integrated-circuit.com



NO OF SIGNALS	MATERIAL NUMBER	COMPLIANT PIN PLATING	DM A	DM B	DM C
12	46114-1412	TN	10101/3.977	10151/3.996	
16	46114-1416	TN	10355/4.077	10405/4.096	
20	46114-1420	TN	10609/4.177	10659/4.196	
24	46114-1424	TN	10863/4.277	10913/4.296	5.45/215
28	46114-1428	TN	11117/4.377	11167/4.396	
32	46114-1432	TN	11371/4.477	11421/4.496	
36	46114-1436	TN	11625/4.577	11675/4.596	
40	46114-1440	TN	11879/4.677	11929/4.696	

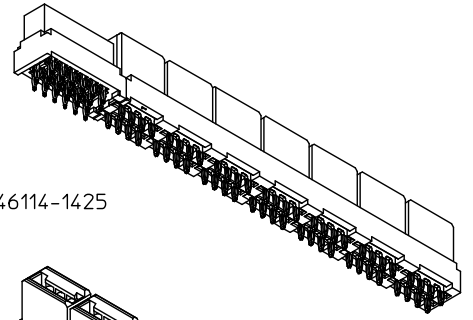
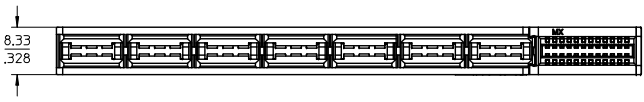


- NOTES:
 1. MATERIAL: HOUSING: LCP, 94-V0, COLOR: BLACK. POWER CONTACTS: COPPER ALLOY. SIGNAL CONTACTS: MOOPED TN BRASS.
 2. FINISH: SELECT GOLD - 0.75 UM/30 U INCHES. SELECTED TN - 250 UM/100 U INCHES. BOTH OVER NICKEL - 125 UM/50 U INCHES.
 3. POWER TERMINALS ARE LUBRICATED IN CONTACT AREA.
 4. PARTS ARE RoHS COMPLIANT.
 5. MATES TO MOLEX P/N 45985-SERIES OR EDGE CARD 157/062.
 6. PRODUCT SPECIFICATION PS-46114-001.
 7. PACKAGING PER PK-46114-003.

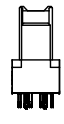
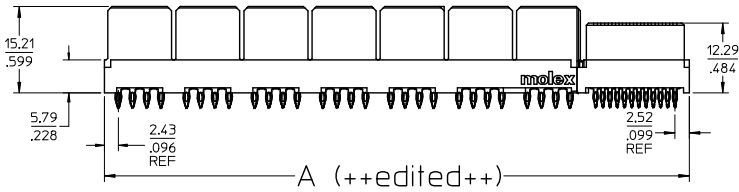
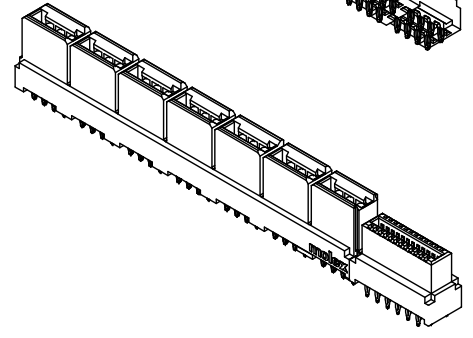


QUALITY SYMBOLS	GENERAL TOLERANCES (UNLESS SPECIFIED)		DIMENSION STYLE		SCALE	DESIGN UNITS	THIRD ANGLE PROJECTION
	mm	INCH	MM/IN	INCH	2:1	METRIC	
4 PLACES	±---	±---	MM/IN	INCH	DRAWN BY MKARADI/MAS 2007/10/18	DATE 2007/10/18	TITLE LPH VERTICAL RECEPTACLE COMPLIANT PIN ASSEMBLY 14CKT PWR CON. PRESS FIT
3 PLACES	±---	±.010	MM/IN	INCH			
2 PLACES	±0.25	±---	MM/IN	INCH	APPROVED BY JCOMERC 2009/12/03	DATE 2009/12/03	MATERIAL NO. SD-46114-140
1 PLACE	±---	±---	MM/IN	INCH	SEE CHART		DOCUMENT NO. SD-46114-140
ANGULAR ±1/2°				DRAFT WHERE APPLICABLE MUST REMAIN WITHIN DIMENSIONS		SHEET NO. 1 OF 3	
D THIS DRAWING CONTAINS INFORMATION THAT IS PROPRIETARY TO MOLEX INCORPORATED AND SHOULD NOT BE USED WITHOUT WRITTEN PERMISSION							

13 12 11 10 9 8 7 6 5 4 3 2 1



MATERIAL # 46114-1425
SHOWN

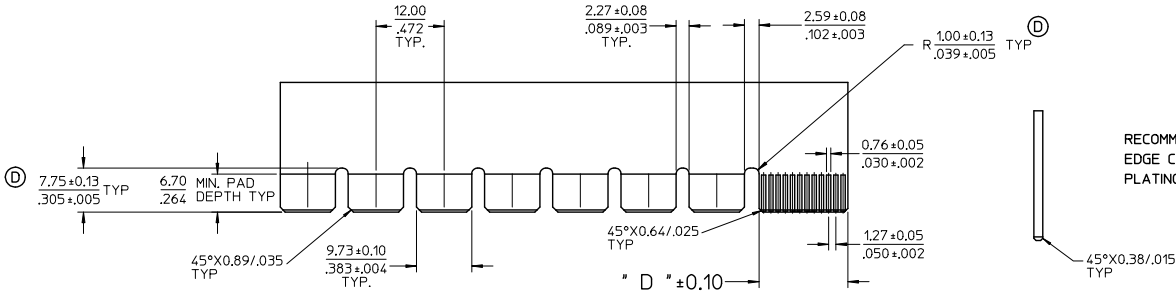
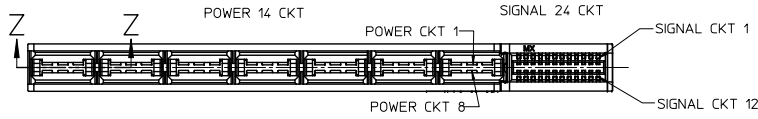


NO OF SIGNALS	MATERIAL NUMBER	COMPLIANT PIN PLATING	DIM A	DIM B	DIM C
12	46114-1413	TIN	95.34/3.754	95.84/3.773	2.69/106
16	46114-1417	TIN	97.88/3.854	98.38/3.873	
20	46114-1421	TIN	100.42/3.954	100.92/3.973	
24	46114-1425	TIN	102.96/4.054	103.46/4.073	
28	46114-1429	TIN	105.50/4.154	106.00/4.173	
32	46114-1433	TIN	108.04/4.254	108.54/4.273	
36	46114-1437	TIN	110.58/4.354	111.04/4.373	
40	46114-1441	TIN	113.12/4.454	113.62/4.473	

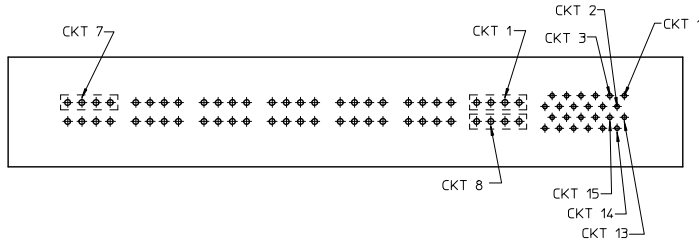
SEE SHEET 1 EC NO: UCP2015-0571 DRWINGANDURA 2015/03/11 CHKD: APATTEL APPR: APATTEL 2015/04/20 REV DESCRIPTION	QUALITY SYMBOLS	GENERAL TOLERANCES (UNLESS SPECIFIED)	DIMENSION STYLE	SCALE	DESIGN UNITS	THIRD ANGLE PROJECTION	
		mm INCH	MM/IN	2:1	METRIC		
		4 PLACES ± --- ± ---	DRAWN BY	DATE	TITLE		
		3 PLACES ± --- ± .010	MKARADIMAS	2007/07/18	LPH VERTICAL RECEPTACLE COMPLIANT PIN ASSEMBLY		
	2 PLACES ± 0.25 ± ---	CHECKED BY	DATE	14CKT PWR CON, PRESS FIT			
	1 PLACE ± --- ± ---	APATEL	2007/07/20	MOLEX INCORPORATED			
	ANGULAR ± 1/2°	APPROVED BY	DATE	MOLEX INCORPORATED			
		JCOMERC I	2009/12/03	MOLEX INCORPORATED			
	DRAFT WHERE APPLICABLE MUST REMAIN WITHIN DIMENSIONS	MATERIAL NO.	SEE CHART	DOCUMENT NO.	SD-46114-140	SHEET NO. 2 OF 3	
		SIZE	THIS DRAWING CONTAINS INFORMATION THAT IS PROPRIETARY TO MOLEX INCORPORATED AND SHOULD NOT BE USED WITHOUT WRITTEN PERMISSION				

ib_frame_C_P_AM_T Rev. E 2006/04/15 12 11 10 9 8 7 6 5 4 3 2 1

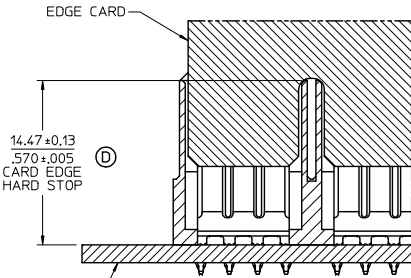
NO. OF SIGNAL	DIM. D
12	8.00/.315
16	10.54/.415
20	13.08/.515
24	15.62/.615
28	18.16/.715
32	20.70/.815
36	23.24/.915
40	25.78/1.015



RECOMMENDED EDGE CARD LAYOUT
 EDGE CARD THICKNESS: 1.57/.062 ± 0.15/.006
 PLATING: GOLD 30 μ INCHES MIN.
 OVER 150 μ INCHES NICKEL.



PCB LAYOUT: COMPONENT SIDE
 SEE SHT 1 FOR DIMENSIONS



SECTION Z-Z
 SCALE 4:1

SEE SHEET 1 EC NO: UCP2015-0571 DRAWING NO: 2015/03/11 CHKD: APARAJAPATEL APPR: APARAJAPATEL 2015/04/20	QUALITY SYMBOLS	GENERAL TOLERANCES (UNLESS SPECIFIED)	DIMENSION STYLE MM/IN	SCALE 2:1	DESIGN UNITS METRIC	THIRD ANGLE PROJECTION																
		<table border="1"> <tr><th></th><th>mm</th><th>INCH</th></tr> <tr><td>4 PLACES ±</td><td>---</td><td>---</td></tr> <tr><td>3 PLACES ±</td><td>---</td><td>±.010</td></tr> <tr><td>2 PLACES ±</td><td>0.25</td><td>---</td></tr> <tr><td>1 PLACE ±</td><td>---</td><td>---</td></tr> </table>		mm	INCH	4 PLACES ±	---	---	3 PLACES ±	---	±.010	2 PLACES ±	0.25	---	1 PLACE ±	---	---	DRAWN BY: MKARADIMAS DATE: 2007/07/18 CHECKED BY: APATEL DATE: 2007/07/20 APPROVED BY: JCOMERC I DATE: 2009/12/03	TITLE LPH VERTICAL RECEPTACLE COMPLIANT PIN ASSEMBLY 14CKT PWR CON, PRESS FIT	MATERIAL NO. SEE CHART	DOCUMENT NO. SD-46114-140	SHEET NO. 3 OF 3
		mm	INCH																			
	4 PLACES ±	---	---																			
3 PLACES ±	---	±.010																				
2 PLACES ±	0.25	---																				
1 PLACE ±	---	---																				
	DRAFT WHERE APPLICABLE MUST REMAIN WITHIN DIMENSIONS	ANGULAR ±1/2°																				