

Excellent Integrated System Limited

Stocking Distributor

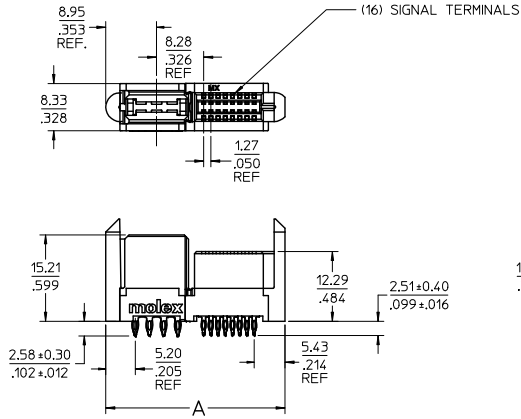
Click to view price, real time Inventory, Delivery & Lifecycle Information:

[Molex Connector Corporation](#)
[0461142320](#)

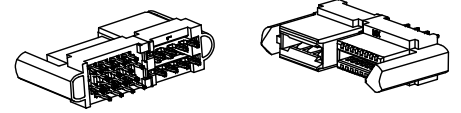
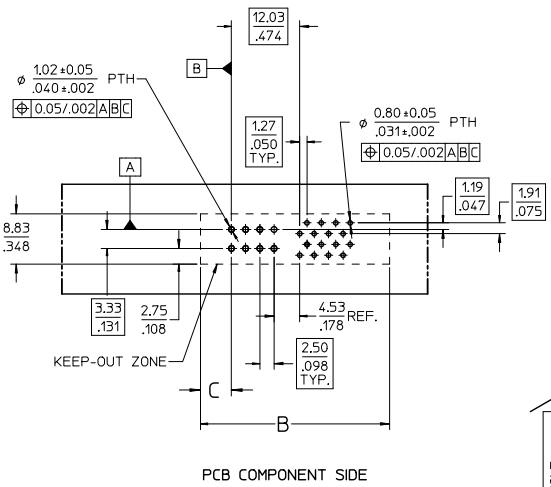
For any questions, you can email us directly:

sales@integrated-circuit.com

NO OF SIGNALS	MATERIAL NUMBER	COMPLIANT PIN PLATING	DIM A	DIM B	DIM C
12	46114-2120	TIN	29.01/1.142	29.51/1.162	5.45/1.215
16	46114-2160	TIN	31.55/1.242	32.05/1.262	
20	46114-2200	TIN	34.09/1.342	34.59/1.362	
24	46114-2240	TIN	36.63/1.442	37.13/1.462	
28	46114-2280	TIN	39.17/1.542	39.67/1.562	
32	46114-2320	TIN	41.71/1.642	42.21/1.662	
36	46114-2360	TIN	44.25/1.742	44.75/1.762	
40	46114-2400	TIN	46.79/1.842	47.29/1.862	



- NOTES:
1. MATERIAL: HOUSING: LCP, 94-VO, COLOR: BLACK, POWER CONTACTS: COPPER ALLOY, SIGNAL CONTACTS: MODIFIED TIN BRASS.
 2. FINISH: SELECT GOLD - 0.75 μM/30 μ INCHES, SELECTED TIN - 2.50 μM/100 μ INCHES, BOTH OVER NICKEL - 1.25 μM/50 μ INCHES
 3. POWER TERMINALS ARE LUBRICATED IN CONTACT AREA.
 4. PARTS ARE RoHS COMPLIANT.
 5. MATES TO MOLEX P/N 45985-SERIES OR CARD EDGE 1.57/.062.
 6. PRODUCT SPECIFICATION PS-46114-001.
 7. PACKAGING: PER PK-46114-003.

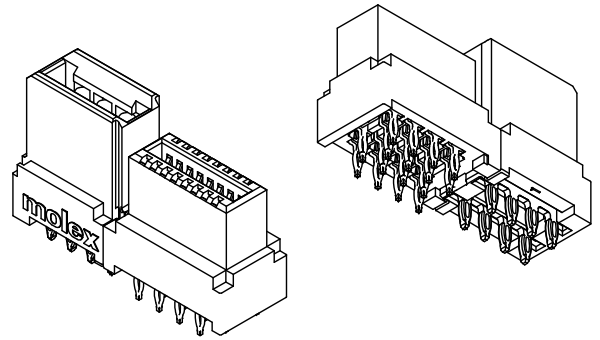
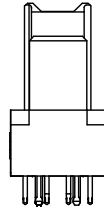
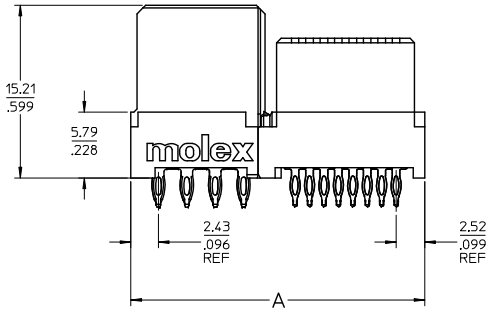
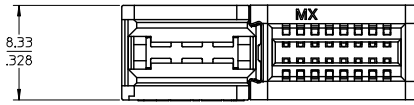


MATERIAL # 46114-2160 SHOWN

PCB COMPONENT SIDE

REMOVE PCB HOLE EC NO: UCP2015-0571 DRAWING NUMBER: 2015/02/04 CHKD: APATEL APPR: APATEL 2015/04/20	QUALITY SYMBOLS DESCRIPTION	GENERAL TOLERANCES (UNLESS SPECIFIED)		DIMENSION STYLE MM/IN		SCALE 2:1	DESIGN UNITS METRIC	THIRD ANGLE PROJECTION	
		4 PLACES ± --- ± ---	3 PLACES ± --- ± .010	DRAWN BY MKARADIMAS	DATE 07/23/07	TITLE LPH VERTICAL RECEPTACLE ASSEMBLY 2 CIRCUIT PWR CONNECTOR, PRESS FIT			
		2 PLACES ± 0.25 ± ---	1 PLACE ± --- ± ---	CHECKED BY APATEL	DATE 07/25/07	APPROVED BY JCOMERC I DATE 2009/12/03			
		ANGULAR ± 1/2°		MATERIAL NO. SEE CHART		DOCUMENT NO. SD-46114-200		SHEET NO. 1 OF 3	
DRAFT WHERE APPLICABLE MUST REMAIN WITHIN DIMENSIONS		THIS DRAWING CONTAINS INFORMATION THAT IS PROPRIETARY TO MOLEX INCORPORATED AND SHOULD NOT BE USED WITHOUT WRITTEN PERMISSION							

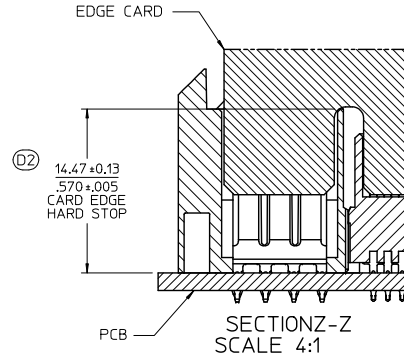
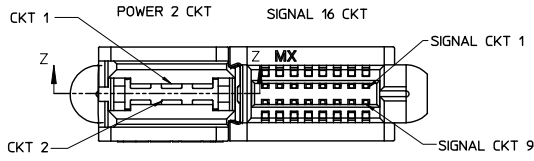
NO OF SIGNALS	MATERIAL NUMBER	COMPLIANT PIN PLATING	DIM A	DIM B	DIM C
12	46114-2121	TIN	23.34/919	23.88/940	2.69/106
16	46114-2161	TIN	25.88/1019	26.42/1040	
20	46114-2201	TIN	28.42/1119	28.96/1140	
24	46114-2241	TIN	30.96/1219	31.50/1240	
28	46114-2281	TIN	33.50/1319	34.04/1340	
32	46114-2321	TIN	36.04/1419	36.58/1440	
36	46114-2361	TIN	38.58/1519	39.12/1540	
40	46114-2401	TIN	41.12/1619	41.66/1640	



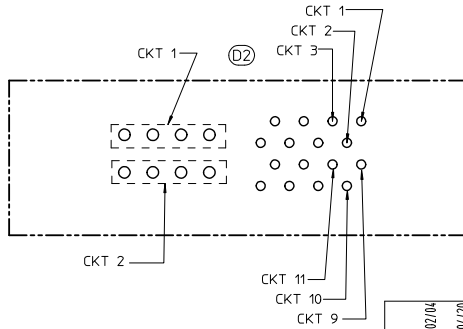
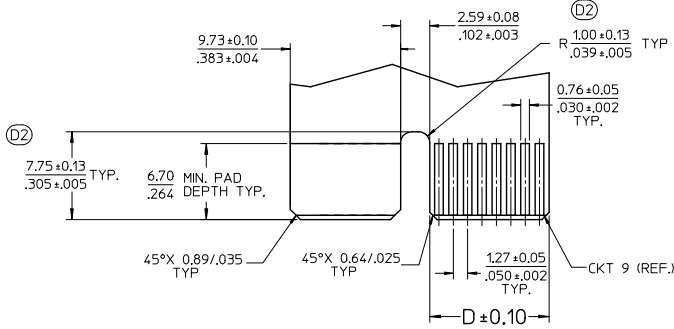
MATERIAL # 46114-2161 SHOWN

SEE SHT 1 EC NO: UCP2015-0571 DRAWING NO: 2015/02/04 CHKD: APATEL APPR: APATEL 2015/04/20 DESCRIPTION:	QUALITY SYMBOLS	GENERAL TOLERANCES (UNLESS SPECIFIED)	DIMENSION STYLE	SCALE	DESIGN UNITS	THIRD ANGLE PROJECTION	
		mm INCH	MM/IN	2:1	METRIC		
		4 PLACES ± .010	DRAWN BY MKARADIMAS DATE 07/23/07	TITLE LPH VERTICAL RECEPTACLE ASSEMBLY 2 CIRCUIT PWR CONNECTOR, PRESS FIT			
		3 PLACES ± .010	CHECKED BY APATEL DATE 07/25/07	MOLEX INCORPORATED			
	2 PLACES ± 0.25	APPROVED BY JCOMERC I DATE 2009/12/03	MATERIAL NO.	DOCUMENT NO.	SHEET NO.		
	1 PLACE ± .010	ANGULAR ± 1/2°	SEE CHART	SD-46114-200	2	3	
		DRAFT WHERE APPLICABLE MUST REMAIN WITHIN DIMENSIONS	THIS DRAWING CONTAINS INFORMATION THAT IS PROPRIETARY TO MOLEX INCORPORATED AND SHOULD NOT BE USED WITHOUT WRITTEN PERMISSION				

NO. OF SIGNAL	DIM. D
12	8.00/.315
16	10.54/.415
20	13.08/.515
24	15.62/.615
28	18.16/.715
32	20.70/.815
36	23.24/.915
40	25.78/1.015



RECOMMENDED EDGE CARD LAYOUT
 EDGE CARD THICKNESS: 1577.062 ± 0.15/.006
 PLATING: GOLD 30 μ INCHES MIN.
 OVER 150 μ INCHES NICKEL.



PCB LAYOUT: COMPONENT SIDE
 SEE SH1 FOR DIMENSIONS.

SEE SH1 EIC NO: LCP2015-0571 DRAWN BY: ANDRADA 2015/02/04 CHKD: APATEL APPR: APATEL 2015/04/28 REV: D2	GENERAL TOLERANCES (UNLESS SPECIFIED)		DIMENSION STYLE MM/IN		SCALE 4:1	DESIGN UNITS METRIC	THIRD ANGLE PROJECTION
	4 PLACES ± .010	± .010	DRAWN BY MKARADIMAS	DATE 07/23/07	TITLE LPH VERTICAL RECEPTACLE ASSEMBLY 2 CIRCUIT PWR CONNECTOR, PRESS FIT		
	3 PLACES ± .010	± .010	CHECKED BY APATEL	DATE 07/25/07	MOLEX INCORPORATED		
	2 PLACES ± 0.25	± .010	APPROVED BY JCOMERC I	DATE 2009/12/03	MATERIAL NO.	DOCUMENT NO. SD-46114-200	SHEET NO. 3 OF 3
1 PLACE ± .010	± .010	ANGULAR ± 1/2°		DRAFT WHERE APPLICABLE MUST REMAIN WITHIN DIMENSIONS			
		SEE CHART		THIS DRAWING CONTAINS INFORMATION THAT IS PROPRIETARY TO MOLEX INCORPORATED AND SHOULD NOT BE USED WITHOUT WRITTEN PERMISSION			