

Excellent Integrated System Limited

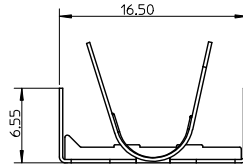
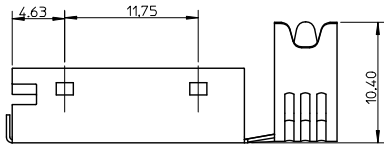
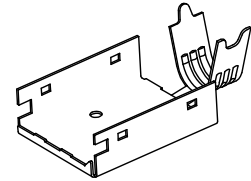
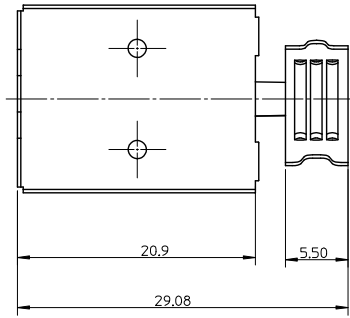
Stocking Distributor

Click to view price, real time Inventory, Delivery & Lifecycle Information:

[Molex Connector Corporation](#)
[0472711009](#)

For any questions, you can email us directly:
sales@integrated-circuit.com

10 9 8 7 6 5 4 3 2 1



NOTES:

1. MATERIAL : 0.30 THICKNESS YELLOW BRASS.
2. PLATING : NICKEL 2.0 MICROMETER MIN OVERALL.

NEW RELEASE EC NO: SH2007-0705 DRAWN BY: 2007/04/27 CHYKCHANG 2007/04/30 APPR: JNCHEN 2007/05/10	QUALITY SYMBOLS ▽=0 ▽=0	GENERAL TOLERANCES (UNLESS SPECIFIED) <table border="1"> <thead> <tr> <th></th> <th>mm</th> <th>INCH</th> </tr> </thead> <tbody> <tr> <td>4 PLACES</td> <td>±---</td> <td>±---</td> </tr> <tr> <td>3 PLACES</td> <td>±---</td> <td>±---</td> </tr> <tr> <td>2 PLACES</td> <td>±0.2</td> <td>±---</td> </tr> <tr> <td>1 PLACE</td> <td>±0.2</td> <td>±---</td> </tr> <tr> <td colspan="3">ANGULAR ±---°</td> </tr> </tbody> </table>		mm	INCH	4 PLACES	±---	±---	3 PLACES	±---	±---	2 PLACES	±0.2	±---	1 PLACE	±0.2	±---	ANGULAR ±---°			DIMENSION STYLE MM ONLY DRAWN BY: QWFANG DATE: 2006/09/05 CHECKED BY: IWANG DATE: 2006/09/05 APPROVED BY: JNCHEN DATE: 2006/09/05	SCALE 3:1 DESIGN UNITS METRIC THIRD ANGLE PROJECTION	TITLE INNER-SHELL-LOWER FOR DISPLAYPORT
		mm	INCH																				
	4 PLACES	±---	±---																				
	3 PLACES	±---	±---																				
2 PLACES	±0.2	±---																					
1 PLACE	±0.2	±---																					
ANGULAR ±---°																							
MATERIAL NO. 47271-1009	DOCUMENT NO. SD-47271-009	MOLEX INCORPORATED	SHEET NO. 1 OF 1																				
DRAFT WHERE APPLICABLE MUST REMAIN WITHIN DIMENSIONS				THIS DRAWING CONTAINS INFORMATION THAT IS PROPRIETARY TO MOLEX INCORPORATED AND SHOULD NOT BE USED WITHOUT WRITTEN PERMISSION																			
REV: A	DESCRIPTION																						

9 8 7 6 5 4 3 2 1