

Excellent Integrated System Limited

Stocking Distributor

Click to view price, real time Inventory, Delivery & Lifecycle Information:

[Molex Connector Corporation](#)

[0481681211](#)

For any questions, you can email us directly:

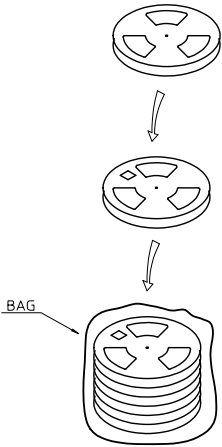
sales@integrated-circuit.com

10 9 8 7 6 5 4 3 2 1

NOTE:

1. TAPE SIZE 29.5mm
2. STAPLES SHOULD ONLY BE USED TO SET UP CARTON
ALL CARTONS CLOSURES MUST BE DONE WITH TAPE.
3. FILL PACKAGING REEL WITH THE QUANTITIES AS INDICATED
IN THE CHART.

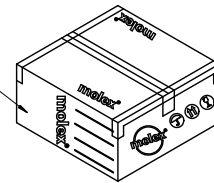
PRODUCT P/N	PARTS PER PRIMARY CARTON	PARTS PER REEL	TOTAL REELS PER PRIMARY CARTON
48168-1201 48168-1211	7000(PCS)	1400(PCS)	5
48168-3001 48168-3011	5600(PCS)	1400(PCS)	4



PRIMARY CARTON
096707-0007

2 DESICCATING AGENT

PRIMARY CARTON
096707-0007

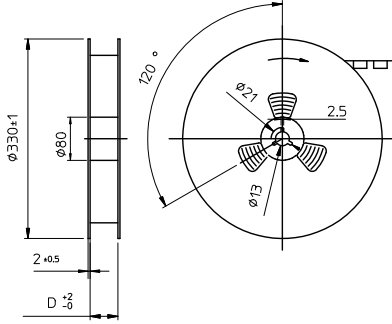
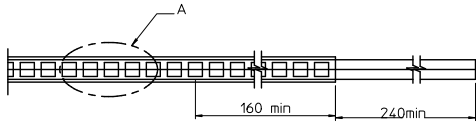


REVISE EC NO: SH2010-0365 DRAWN BY: 2010/03/12 CHK: ERIC KAO 2005/07/05 APPR: RZHANG 2010/04/30	DESCRIPTION QUALITY SYMBOLS ∇=0 ∇=0 ∇=0	GENERAL TOLERANCES (UNLESS SPECIFIED)		DIMENSION STYLE MM ONLY		SCALE 6:1	DESIGN UNITS METRIC	THIRD ANGLE PROJECTION			
		4 PLACES ± --- ± ---	3 PLACES ± --- ± ---	2 PLACES ± 0.25 ± ---	1 PLACE ± 0.25 ± ---	DRAWN BY: BERNIE CHECKED BY: ERIC KAO APPROVED BY: RZHANG	DATE: 2005/07/05 DATE: 2005/07/05 DATE: 2010/04/14	TITLE MDC 0.8 MM BTB RECEPTACLE CONNECTOR PACKAGING			
		DRAFT WHERE APPLICABLE MUST REMAIN WITHIN DIMENSIONS		SEE TABLE		MATERIAL NO.		DOCUMENT NO.		MOLEX INCORPORATED	
		SIZE A3		THIS DRAWING CONTAINS INFORMATION THAT IS PROPRIETARY TO MOLEX INCORPORATED AND SHOULD NOT BE USED WITHOUT WRITTEN PERMISSION							

9 8 7 6 5 4 3 2 1

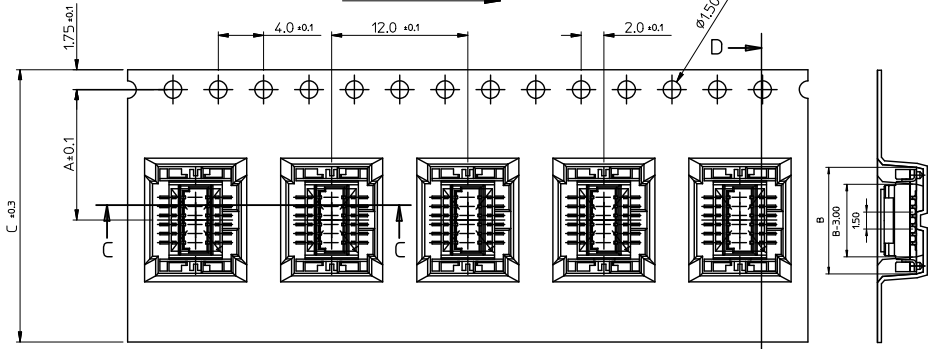
10 9 8 7 6 5 4 3 2 1

CKT	DIMA	DIMB	DIMC	DIMD
10		8.50		
12		9.30		
14	11.50	10.10	24.00	24.40
16		10.90		
20		12.50		
24		14.10		

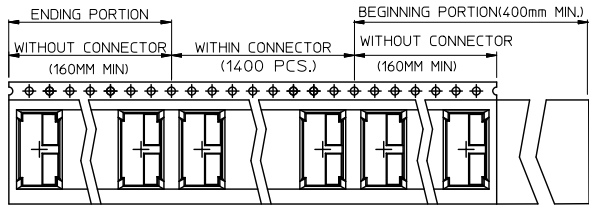


PULL DIRECTION

PULL DIRECTION



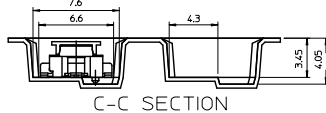
- NOTE:
1. QUANTITY 1400 PCS / REEL
 2. USER DIRECTION OF FEED



PULL DIRECTION

A VIEW DETAIL

D-D SECTION



C-C SECTION

3. COVER TAPE PEELING FORCE:

PULL OUT DIRECTION



A	165°~180°
F	0.1N~1.3N

PEELING SPEED 300MM/MIN

4. PART DIMENSIONS MEET EIA-481-2-A REQUIREMENT

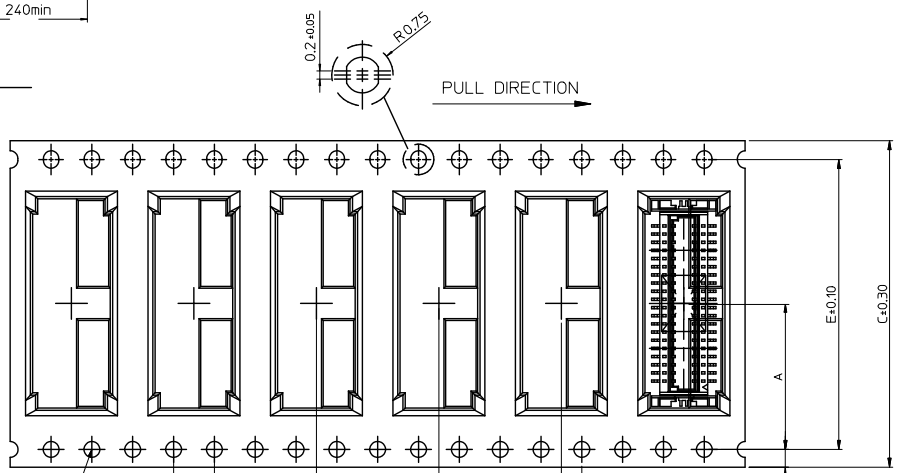
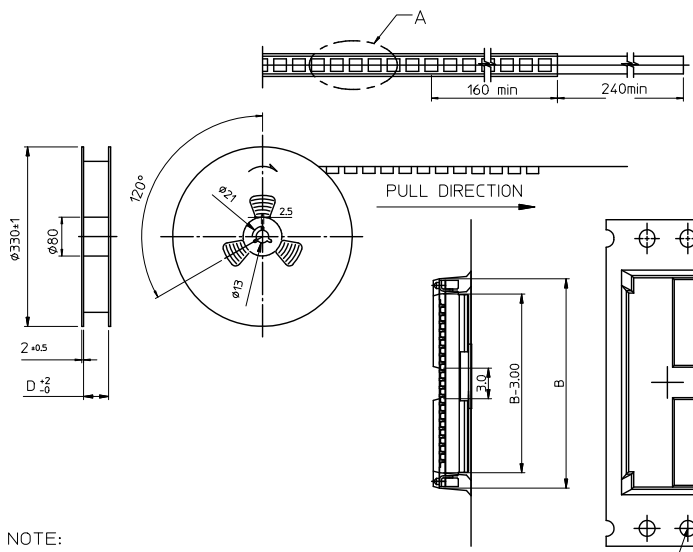
5. THICKNESS: 0.35±0.05 MM

REVISE EC NO. SH2010-0365 DRAWN: YANGJOS 2010/03/12 CHK: ERIC KAO 2005/07/05 APP: RZhang 2010/04/30	QUALITY SYMBOLS	GENERAL TOLERANCES (UNLESS SPECIFIED)	DIMENSION STYLE	SCALE	DESIGN UNITS	THIRD ANGLE PROJECTION
	√=0	mm INCH	MM ONLY	1:1	METRIC	
	√=0	4 PLACES ± --- ± ---	DRAWN BY DATE	TITLE		
	√=0	3 PLACES ± --- ± ---	BERNIE 2005/07/05	MDC 0.8 MM BTB RECEPTACLE CONNECTOR PACKAGING		
		2 PLACES ± 0.25 ± ---	CHECKED BY DATE	MOLEX INCORPORATED		
		1 PLACE ± 0.25 ± ---	ERIC KAO 2005/07/05	MATERIAL NO. DOCUMENT NO.		
		ANGULAR ± 3°	APPROVED BY DATE	PK-48168-001		
			RZHANG 2010/04/14	SHEET NO. 2 OF 3		
				THIS DRAWING CONTAINS INFORMATION THAT IS PROPRIETARY TO MOLEX INCORPORATED AND SHOULD NOT BE USED WITHOUT WRITTEN PERMISSION		

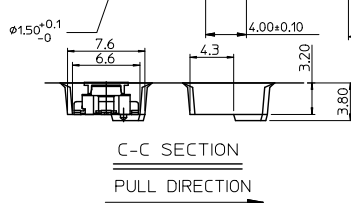
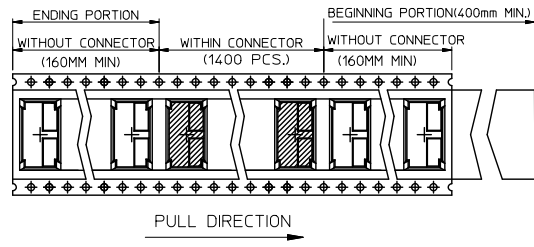
9 8 7 6 5 4 3 2 1

10 9 8 7 6 5 4 3 2 1

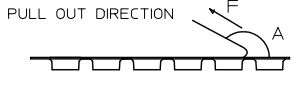
CKT	DIMA	DIMB	DIMC	DIMD	DIME
30	14.2±0.10	16.50	32.00	32.40	28.40



- NOTE:
1. QUANTITY 1400 PCS / REEL
2. USER DIRECTION OF FEED



3. COVER TAPE PEELING FORCE: 0.12 kgf.

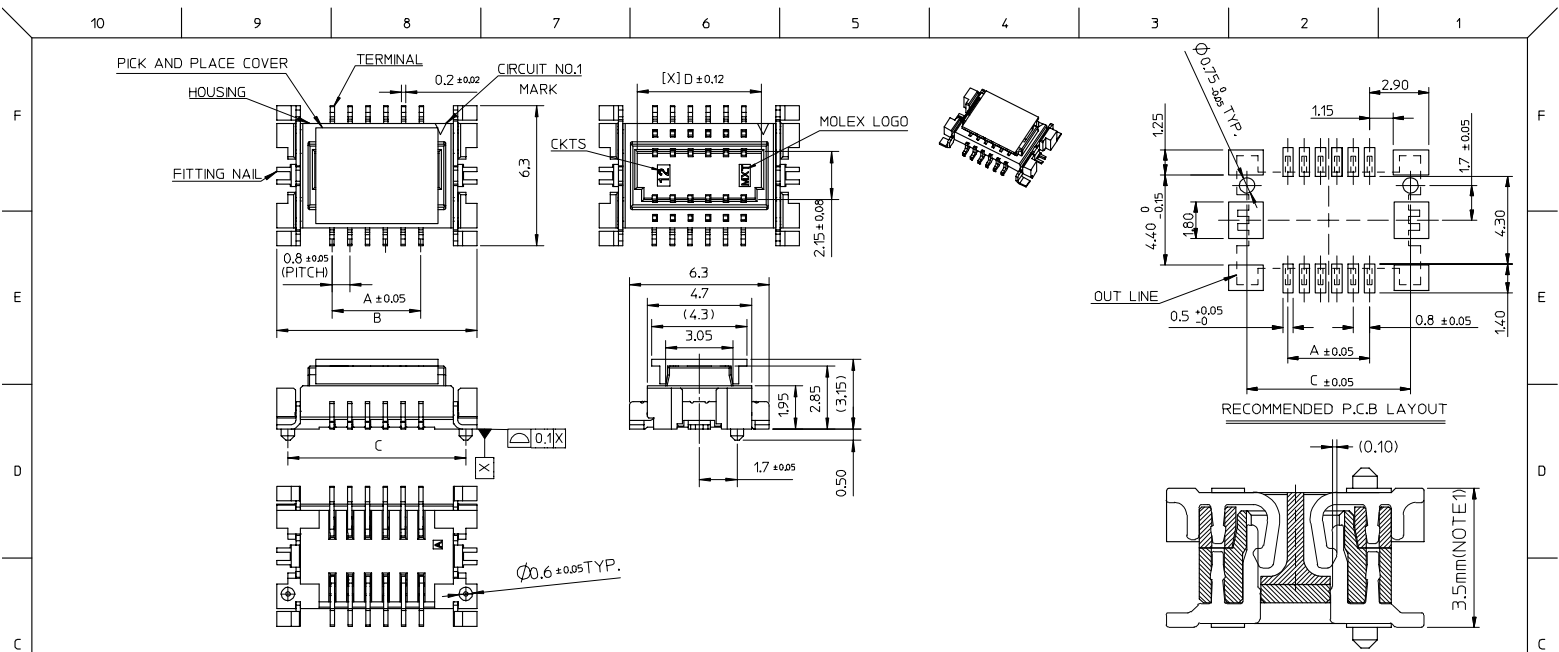


A	165°~180°
F	0.1N~1.3N

4. PART DIMENSIONS MEET EIA-481-2-A REQUIREMENT
5. THICKNESS: 0.35±0.05 MM

REVISE IEC NO. SH2010-0365 DRAWN: YANGOS 2010/03/12 CHECKED: ERIC KAO 2005/07/05 APPR: RZhang 2010/04/30	DESCRIPTION QUALITY SYMBOLS √=0 ∇=0 ∇=0	GENERAL TOLERANCES (UNLESS SPECIFIED) mm INCH		DIMENSION STYLE MM ONLY		SCALE 1:1	DESIGN UNITS METRIC	THIRD ANGLE PROJECTION
		4 PLACES ±--- ±--- 3 PLACES ±--- ±--- 2 PLACES ±0.25 ±--- 1 PLACE ±0.25 ±--- ANGULAR ±3°	DRAWN BY BERNIE 2005/07/05 CHECKED BY ERIC KAO 2005/07/05 APPROVED BY RZHANG 2010/04/14	TITLE MDC 0.8 MM BTB RECEPTACLE CONNECTOR PACKAGING		MATERIAL NO. SEE SHEET1		DOCUMENT NO. PK-48168-001
DRAFT WHERE APPLICABLE MUST REMAIN WITHIN DIMENSIONS		THIS DRAWING CONTAINS INFORMATION THAT IS PROPRIETARY TO MOLEX INCORPORATED AND SHOULD NOT BE USED WITHOUT WRITTEN PERMISSION						

9 8 7 6 5 4 3 2 1



NOTES
 1.COPLANARITY IS 0.1mm MAX.
 2.MATERIAL : HOUSING-HIGH TEMPERATURE THERMOPLASTIC, GLASS FILLED, UL 94V-0, COLOR: NATURE(WHITE)
 TERMINAL- COPPER ALLOY
 FITTING NAIL- COPPER ALLOY
 PICK AND PLACE COVER-HIGH TEMPERATURE THERMOPLASTIC, GLASS FILLED,UL 94V-0, COLOR: NATURE(WHITE)

3.FINISHES : TERMINAL :48168-XX01:
 TIN MATT PLATED OVER ALL
 THICKNESS :3.05 MICROMETER
 NICKEL UNDERPLATED OVER ALL,
 THICKNESS :1.27 MICROMETER
 48168-XX11:
 GOLD FLASH OVER ALL
 THICKNESS : 0.025 MICROMETER MINIMUM,
 NICKEL UNDERPLATED OVER ALL
 THICKNESS : 1.27 MICROMETER MINIMUM,
 FITTING NAIL :48168-XX01:
 TIN MATT PLATED OVER ALL
 THICKNESS :3.05 MICROMETER
 NICKEL UNDERPLATED OVER ALL,
 THICKNESS :1.27 MICROMETER
 48168-XX11:
 GOLD FLASH OVER ALL
 THICKNESS : 0.025 MICROMETER MINIMUM,
 NICKEL UNDERPLATED OVER ALL,
 THICKNESS : 1.27 MICROMETER MINIMUM,

4.PRODUCT SPECIFICATION REFER TO PS-48126-001
 5.DRAWING PACKAGING REFER TO PK-48168-001
 6.TEST SUMMARY REFER TO TS-48210-001
 7.MATED WITH 48126-SERIES
 8.P/N LEGEND 48168-XXX1

NO OF CKTS | PLATING
 0:MATT TIN
 1:GOLD FLASH OVER ALL

9.LEAD-FREE AND ROHS COMPLIANCE

DIMA	DIMB	DIMC	DIMD	CKT	AVAILABLE
3.2	8.2	7.2	4.8	10	-
4.0	9.0	8.0	5.6	12	YES
4.8	9.8	8.8	6.4	14	-
5.6	10.6	9.6	7.2	16	-
7.2	12.2	11.2	8.8	20	-
8.8	13.8	12.8	10.4	24	-
11.2	16.2	15.2	12.8	30	YES

REV	DESCRIPTION	QUALITY SYMBOLS	GENERAL TOLERANCES (UNLESS SPECIFIED)		DIMENSION STYLE IN/MM	SCALE 6:1	DESIGN UNITS INCH	THIRD ANGLE PROJECTION
			mm	INCH				
1	RELEASED	▽=0	4 PLACES ± 0.25	± 0.010	IN/MM	6:1	INCH	THIRD ANGLE PROJECTION
2	FC NO: SH2005-0240	▽=0	3 PLACES ± 0.25	± 0.010	IN/MM	6:1	INCH	THIRD ANGLE PROJECTION
3	DRW:WEXA001	▽=0	2 PLACES ± 0.25	± 0.010	IN/MM	6:1	INCH	THIRD ANGLE PROJECTION
4	CHKD: APPR:WMSCHANG	▽=0	1 PLACE ± 0.25	± 0.010	IN/MM	6:1	INCH	THIRD ANGLE PROJECTION
5	REV	▽=0	ANGULAR ± 3 °	± 0.010	IN/MM	6:1	INCH	THIRD ANGLE PROJECTION
MATERIAL NO. SEE NOTES			DRAWN BY: BERNIE DATE: 2005/01/25		TITLE: MDC BOARD TO BOARD RECEPTACLE CONNECTOR (LEAD-FREE VERSION)			
DRAFT WHERE APPLICABLE MUST REMAIN WITHIN DIMENSIONS			CHECKED BY: ERIC DATE: 2005/01/25		MOLEX INCORPORATED			
SIZE: A3			APPROVED BY: WILSON DATE: 2005/01/25		DOCUMENT NO. SD-48168-001 SHEET NO. 1 OF 1			
THIS DRAWING CONTAINS INFORMATION THAT IS PROPRIETARY TO MOLEX INCORPORATED AND SHOULD NOT BE USED WITHOUT WRITTEN PERMISSION								