

Excellent Integrated System Limited

Stocking Distributor

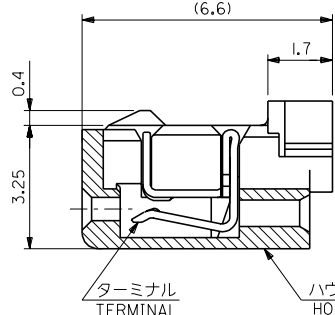
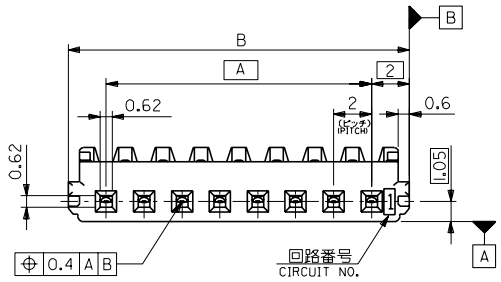
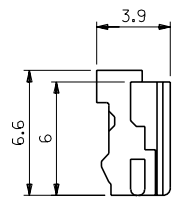
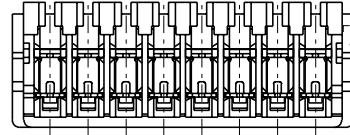
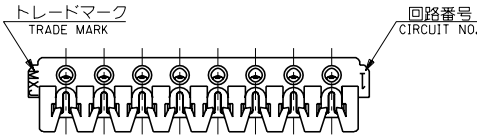
Click to view price, real time Inventory, Delivery & Lifecycle Information:

[Molex Connector Corporation](#)
[0524840510](#)

For any questions, you can email us directly:

sales@integrated-circuit.com

DWG. NO. SD-52484-008



ターミナル装着状態図
FIGURE OF TERMINAL WHEN ASSEMBLED
(SCALE : 10-1)

注記 NOTES

- 嵌合相手: 53324-***0, 53325-***0, 53358-***0, 53401-***0
MATES WITH
- 材質 MATERIAL
ハウジング: ガラス入り66ナイロン, UL94V-0, 色: 表参照
HOUSING: GLASS FILLED 66 NYLON, UL94V-0, COLOR: SEE CHART
ターミナル: りん青銅, 鍍メッキ (t=0.2)
TERMINAL: PHOSPHOR BRONZE, PRE-TINNED (t=0.2)
- 適合クリップ: 51094-***05
APPLICABLE CLIP



製品番号 MATERIAL NO.
52484-***1*

ナチュラル (白) NATURAL (WHITE)	0
赤 RED	2
黄 YELLOW	3
青 BLUE	4

32	28	52484-151*	15	52484-***1*
30	26	-141*	14	
28	24	-131*	13	
26	22	-121*	12	
24	20	-111*	11	
22	18	-101*	10	
20	16	-091*	9	
18	14	-081*	8	
16	12	-071*	7	
14	10	-061*	6	
12	8	-051*	5	52484-021*
10	6	-041*	4	
8	4	-031*	3	
6	2		2	
B	A	製品番号 MATERIAL NO.	極数 CIRCUIT	MODEL NO.

DO NOT SCALE DRAWING

EC NO. DRAWN: CHK: APPR:	EC NO. DRAWN: CHK: APPR:	EC NO. DRAWN: CHK: APPR:	EC NO. DRAWN: CHK: APPR:	REVISED EC NO. JD2000-0703 DRAWN: K. KOBAYASHI CHK: J. MIYAZAWA APPR: H. IKESUGI	MATERIAL 材料	GENERAL TOLERANCES: (UNLESS SPECIFIED) 一般公差	SCALE 5-1	DESIGN UNITS mm INCH	THIRD ANGLE PROJECTION	DIMENSIONS: mm INCH mm ONLY	SHT REV
					注参照 SEE NOTES	FINISH 仕上り	注参照 SEE NOTES	DRAWN BY & DATE R. Kobayashi 90/05/07	TITLE: 2.0 W/B CONN. IDT REC. HS'G ASS'Y	REVISION ON CAD ONLY	
8	7	6	5	4	3	2	1	MOLEX INCORPORATED		SHEET NO. 1 OF 1	
WIRE RANGE 適用電線範囲					AWG #26-#28	ANGLE 角度	3°	CAD FILENAME 52484008.S01	MATERIAL NO. SEE CHART	DRAWING NO. SD-52484-008	SIZE B
INS. RANGE 被覆外径					φ1.05 MAX.	THIS DRAWING CONTAINS INFORMATION THAT IS PROPRIETARY TO MOLEX INCORPORATED AND SHOULD NOT BE USED WITHOUT WRITTEN PERMISSION.					EN-02J(097) MXJ-54