

Excellent Integrated System Limited

Stocking Distributor

Click to view price, real time Inventory, Delivery & Lifecycle Information:

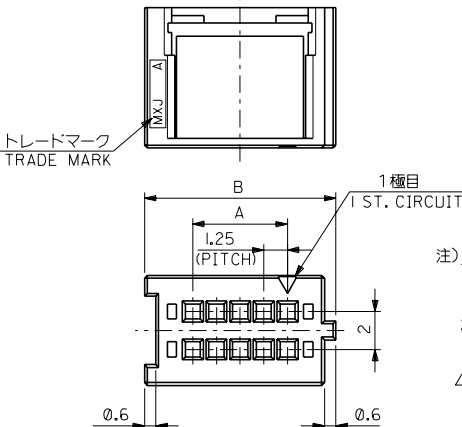
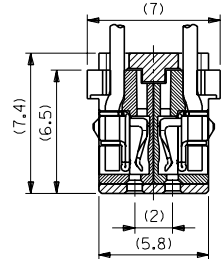
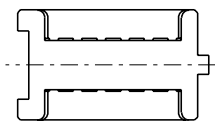
[Molex Connector Corporation](#)
[0545971200](#)

For any questions, you can email us directly:

sales@integrated-circuit.com

DWG. NO. SD-54597-002

番号 NO.	名称 NAME	原料 MATERIAL	数量 QTY	仕上げ FINISH
①	フリップ CLIP	ナイロン NYLON	1	UL94V-0



注) NOTES

1. 原料: 表参照
MATERIAL: SEE CHART
2. 適合ハウジングアセンブリ
APPLICABLE HOUSING ASSEMBLY
54596-***1*
3. 製品番号
MATERIAL NO.
54597-***0*

極数 CIRCUIT SIZE (10~40)
色 COLOR 00 : 自然色 NATURAL

ハウジングアセンブリ装着状態
HOUSING ASSEMBLY WHEN ASSEMBLED

28.85	23.75	40	54597-400*	54597-***0*
27.6	22.5	38	54597-380*	
26.35	21.25	36	54597-360*	
25.1	20	34	54597-340*	
23.85	18.75	32	54597-320*	
22.6	17.5	30	54597-300*	
21.35	16.25	28	54597-280*	
20.1	15	26	54597-260*	
18.85	13.75	24	54597-240*	
17.6	12.5	22	54597-220*	
16.35	11.25	20	54597-200*	
15.1	10	18	54597-180*	
13.85	8.75	16	54597-160*	
12.6	7.5	14	54597-140*	
11.35	6.25	12	54597-120*	
10.1	5	10	54597-100*	
B	A	CIRCUIT SIZE	製品番号 MATERIAL NO.	MODEL NO.

DO NOT SCALE DRAWING	EC NO. DRWN: CHK: APPR:	変更 REVISIED EC NO. JD2000-1045 DRWN:H.TAKASE 00/02/26 CHK: Y.IITO/S.ICHIKAWA APPR:H.KESUGI	変更 REVISIED EC NO. JD2000-1366 DRWN:H.TAKASE 00/06/15 CHK: Y.IITO/S.ICHIKAWA APPR:H.KESUGI	変更 REVISIED EC NO. JD2000-0734 DRWN:H.TAKASE 00/01/14 CHK: Y.IITO/S.ICHIKAWA APPR:H.KESUGI	新製作成 RELEASED EC NO. JD2000-0679 DRWN:H.TAKASE 00/01/11 CHK: Y.IITO/S.ICHIKAWA APPR:H.KESUGI	DESCRIPTION	MATERIAL 材料 SEE CHART	GENERAL TOLERANCES: (UNLESS SPECIFIED) 一般公差	SCALE 5:1	DESIGN UNITS <input checked="" type="checkbox"/> mm <input type="checkbox"/> INCH	<input checked="" type="checkbox"/> THIRD ANGLE <input type="checkbox"/> PROJECTION	DIMENSIONS: <input type="checkbox"/> mm <input type="checkbox"/> INCH <input type="checkbox"/> mm ONLY	SHT REV	
	C	B	A	0	REV	FINISH 仕上げ	10 UNDER 未満	±0.2	DRAWN BY & DATE S. Takase '99/05/06	TITLE: Mini MI II CLIP	<input type="checkbox"/> mm <input type="checkbox"/> mm	REVISE ON CAD ONLY		
							WIRE RANGE 適用電線範囲	10 OVER 以上	±0.25	CHECKED BY & DATE Y. Ito	APPROVED BY & DATE H. Ito	<input type="checkbox"/> mm <input type="checkbox"/> mm		
	8	7	6	5	4	3	INS. RANGE 被覆外径	30 OVER 以上	±0.3	CAD FILE NAME 54597002.S01	MATERIAL NO. SEE CHART	<input type="checkbox"/> mm <input type="checkbox"/> mm		
THIS DRAWING CONTAINS INFORMATION THAT IS PROPRIETARY TO MOLEX INCORPORATED AND SHOULD NOT BE USED WITHOUT WRITTEN PERMISSION.											MOLEX INCORPORATED	DRAWING NO. SD-54597-002	SHEET NO. 1 OF 1	SIZE B
												EN-02J(097) MXJ-54		