

## Excellent Integrated System Limited

Stocking Distributor

Click to view price, real time Inventory, Delivery & Lifecycle Information:

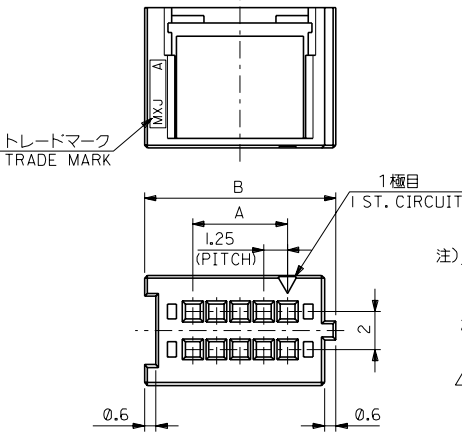
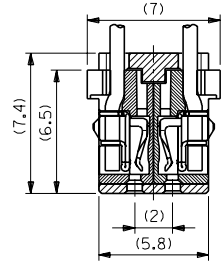
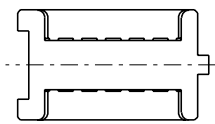
[Molex Connector Corporation](#)  
[0545971600](#)

For any questions, you can email us directly:

[sales@integrated-circuit.com](mailto:sales@integrated-circuit.com)

DWG. NO. SD-54597-002

番号 NO.	名称 NAME	原料 MATERIAL	数量 QTY	仕上げ FINISH
①	フリップ CLIP	ナイロン NYLON	1	UL 94V-0



注) NOTES  
 1. 原料: 表参照  
 MATERIAL: SEE CHART  
 2. 適合ハウジングアセンブリ  
 APPLICABLE HOUSING ASSEMBLY  
 54596-\*\*\*1\*  
 ③ 製品番号  
 MATERIAL NO.  
 54597-\*\*\*0\*  
 極数 CIRCUIT SIZE (10~40)  
 色 COLOR 00 : 自然色 NATURAL

ハウジングアセンブリ装着状態  
HOUSING ASSEMBLY WHEN ASSEMBLED

28.85	23.75	40	54597-400*	54597-***0*
27.6	22.5	38	54597-380*	
26.35	21.25	36	54597-360*	
25.1	20	34	54597-340*	
23.85	18.75	32	54597-320*	
22.6	17.5	30	54597-300*	
21.35	16.25	28	54597-280*	
20.1	15	26	54597-260*	
18.85	13.75	24	54597-240*	
17.6	12.5	22	54597-220*	
16.35	11.25	20	54597-200*	
15.1	10	18	54597-180*	
13.85	8.75	16	54597-160*	
12.6	7.5	14	54597-140*	
11.35	6.25	12	54597-120*	
10.1	5	10	54597-100*	
B	A	CIRCUIT SIZE	製品番号 MATERIAL NO.	MODEL NO.

DO NOT SCALE DRAWING	EC NO. DRWN: CHK: APPR:	変更 REVISIED EC NO. JD2001-045 DRWN:H.TAKASE 00/02/26 CHK: Y.IITO/S.ICHIKAWA APPR:H.KESUGI	変更 REVISIED EC NO. JD2000-1866 DRWN:H.TAKASE 00/06/15 CHK: Y.IITO/S.ICHIKAWA APPR:H.KESUGI	変更 REVISIED EC NO. JD2000-0734 DRWN:H.TAKASE 00/01/14 CHK: Y.IITO/S.ICHIKAWA APPR:H.KESUGI	新製作成 RELEASED EC NO. JD2000-0679 DRWN:H.TAKASE 00/01/11 CHK: Y.IITO/S.ICHIKAWA APPR:H.KESUGI	DESCRIPTION MATERIAL 材料 SEE CHART FINISH 仕上げ WIRE RANGE 適用電線範囲 INS. RANGE 被覆外径
8	7	6	5	4	3	2

GENERAL TOLERANCES: (UNLESS SPECIFIED) 一般公差	SCALE 5-1	DESIGN UNITS <input checked="" type="checkbox"/> mm <input type="checkbox"/> INCH	THIRD ANGLE PROJECTION	DIMENSIONS: <input type="checkbox"/> mm <input type="checkbox"/> INCH <input type="checkbox"/> mm ONLY	SHT REV
10 UNDER 未満	±0.2	DRAWN BY & DATE S. Takase '99/05/06	TITLE: Mini MiII CLIP	<input type="checkbox"/> mm ONLY	REVISE ON CAD ONLY
10 OVER 以上	±0.25	CHECKED BY & DATE Y. Ito	<input checked="" type="checkbox"/> MOLEX INCORPORATED		
30 OVER 以上	±0.3	APPROVED BY & DATE H. Ito	MATERIAL NO. SEE CHART	DRAWING NO. SD-54597-002	SHEET NO. 1 OF 1
ANGLE 角度	±3°	CAD FILE NAME 54597002.S01	THIS DRAWING CONTAINS INFORMATION THAT IS PROPRIETARY TO MOLEX INCORPORATED AND SHOULD NOT BE USED WITHOUT WRITTEN PERMISSION.		SIZE B
					EN-02J(097) MXJ-54

54597002.S01