

Excellent Integrated System Limited

Stocking Distributor

Click to view price, real time Inventory, Delivery & Lifecycle Information:

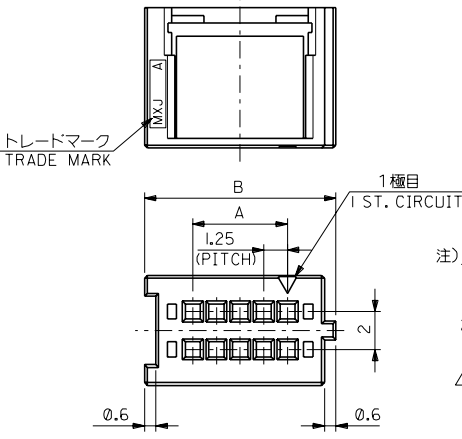
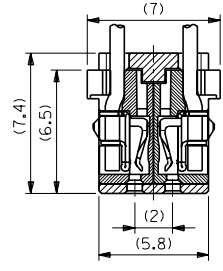
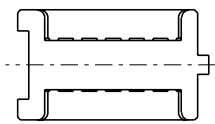
[Molex Connector Corporation](#)
[0545972000](#)

For any questions, you can email us directly:

sales@integrated-circuit.com

DWG. NO. SD-54597-002

①	フリップ CLIP	ナイロン NYLON	1	仕上げ FINISH UL 94V-0
---	-----------	------------	---	---------------------



注) NOTES
 1. 原料: 表参照
 MATERIAL: SEE CHART
 2. 適合ハウジングアセンブリ
 APPLICABLE HOUSING ASSEMBLY
 54596-***1*
 ③ 製品番号
 MATERIAL NO.
 54597-***0*
 極数 CIRCUIT SIZE (10~40)
 色 COLOR 00 : 自然色 NATURAL

ハウジングアセンブリ装着状態
 HOUSING ASSEMBLY WHEN ASSEMBLED

28.85	23.75	40	54597-400*	54597-***0*
27.6	22.5	38	54597-380*	
26.35	21.25	36	54597-360*	
25.1	20	34	54597-340*	
23.85	18.75	32	54597-320*	
22.6	17.5	30	54597-300*	
21.35	16.25	28	54597-280*	
20.1	15	26	54597-260*	
18.85	13.75	24	54597-240*	
17.6	12.5	22	54597-220*	
16.35	11.25	20	54597-200*	
15.1	10	18	54597-180*	
13.85	8.75	16	54597-160*	
12.6	7.5	14	54597-140*	
11.35	6.25	12	54597-120*	
10.1	5	10	54597-100*	
B	A	CIRCUIT SIZE	製品番号 MATERIAL NO.	MODEL NO.

DO NOT SCALE DRAWING	EC NO. 変更 REVISION	EC NO. JD2000-1045	DRWN:H.TAKASE 01/02/26	CHK: Y.IITO/S.ICHIKAWA	APPR:H.IKESUGI	MATERIAL 材料 SEE CHART	GENERAL TOLERANCES: (UNLESS SPECIFIED) 一般公差	SCALE 5:1	DESIGN UNITS <input checked="" type="checkbox"/> mm <input type="checkbox"/> INCH	<input checked="" type="checkbox"/> THIRD ANGLE PROJECTION	DIMENSIONS: <input type="checkbox"/> mm <input type="checkbox"/> INCH <input checked="" type="checkbox"/> mm ONLY	SHT 1	REV	
	C	変更 REVISION	EC NO. JD2000-1366	DRWN:H.TAKASE 00/06/15	CHK: Y.IITO/S.ICHIKAWA		APPR:H.IKESUGI	10 UNDER 未満 ±0.2	DRAWN BY & DATE S. Takase '99/05/06	TITLE: Mini MI II CLIP	MATERIAL NO. SEE CHART	DRAWING NO. SD-54597-002	REVISE ON CAD ONLY	
	B	変更 REVISION	EC NO. JD2000-0734	DRWN:H.TAKASE 00/01/14	CHK: Y.IITO/S.ICHIKAWA		APPR:H.IKESUGI	10 OVER 30 UNDER 未満 ±0.25	CHECKED BY & DATE Y. Ito	MOLEX INCORPORATED		SHEET NO. 1 OF 1		
	A	変更 REVISION	EC NO. JD2000-0679	DRWN:H.TAKASE 00/01/11	CHK: Y.IITO/S.ICHIKAWA		APPR:H.IKESUGI	30 OVER 以上 ±0.3	APPROVED BY & DATE H. Ito	CAD FILE NAME 54597002.S01	MATERIAL NO. SEE CHART	DRAWING NO. SD-54597-002	SIZE B	
0	新製作成 RELEASED	EC NO. JD2000-0000	DRWN:H.TAKASE 00/00/00	CHK: Y.IITO/S.ICHIKAWA	APPR:H.IKESUGI	WIRE RANGE 通用電線範囲	ANGLE 角度 ±3°	THIS DRAWING CONTAINS INFORMATION THAT IS PROPRIETARY TO MOLEX INCORPORATED AND SHOULD NOT BE USED WITHOUT WRITTEN PERMISSION.		EN-02J(097) MXJ-54				