

Excellent Integrated System Limited

Stocking Distributor

Click to view price, real time Inventory, Delivery & Lifecycle Information:

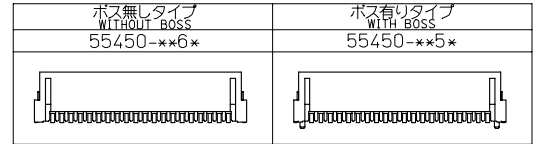
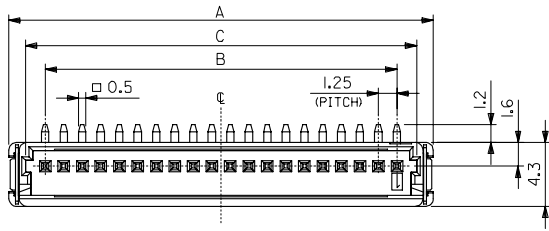
[Molex Connector Corporation](#)
[0554501369](#)

For any questions, you can email us directly:

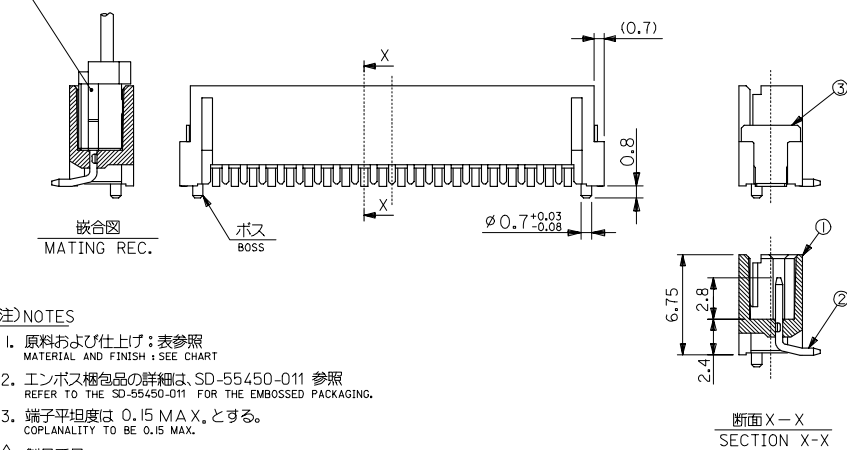
sales@integrated-circuit.com

10 9 8 7 6 5 4 3 2 1

番号 No.	名称 NAME	原料 MATERIAL	数量 QTY	仕上げ FINISH
①	ウエハー WAFER	ナイロン NYLON	1	UL94V-0
②	ピン PIN	黄銅 BRASS	N	全体鍍メッキ PRE-TINNED
③	フィッティングネール FITTING NAIL	黄銅 BRASS	2	錫メッキ TIN PLATING



54596-***1*
リセプタクルアセンブリ
REC. ASS'Y



27.05	26.25	26.4	23.75	28.65	20	55450-20**
25.8	25	25.15	22.5	27.4	19	-19**
24.55	23.75	23.9	21.25	26.15	18	-18**
23.3	22.5	22.65	20	24.9	17	-17**
22.05	21.25	21.4	18.75	23.65	16	-16**
20.8	20	20.15	17.5	22.4	15	-15**
19.55	18.75	18.9	16.25	21.15	14	-14**
18.3	17.5	17.65	15	19.9	13	-13**
17.05	16.25	16.4	13.75	18.65	12	-12**
15.8	15	15.15	12.5	17.4	11	-11**
14.55	13.75	13.9	11.25	16.15	10	-10**
13.3	12.5	12.65	10	14.9	9	-09**
12.05	11.25	11.4	8.75	13.65	8	-08**
10.8	10	10.15	7.5	12.4	7	-07**
9.55	8.75	8.9	6.25	11.15	6	-06**
8.3	7.5	7.65	5	9.9	5	-05**
7.05	6.25	6.4	3.75	8.65	4	-04**
5.8	5	5.15	2.5	7.4	3	-03**
4.55	3.75	3.9	1.25	6.15	2	55450-02**

注) NOTES

1. 原料および仕上げ: 表参照
MATERIAL AND FINISH: SEE CHART
2. エンボス梱包品の詳細は、SD-55450-011 参照
REFER TO THE SD-55450-011 FOR THE EMBOSSED PACKAGING.
3. 端子平坦度は 0.15 MAX. とする。
COPLANARITY TO BE 0.15 MAX.

製品番号

MATERIAL NO.

55450-****

極数 CIRCUIT SIZE (02 ~ 20)

ボス BOSS 5: ボス有り WITH BOSS

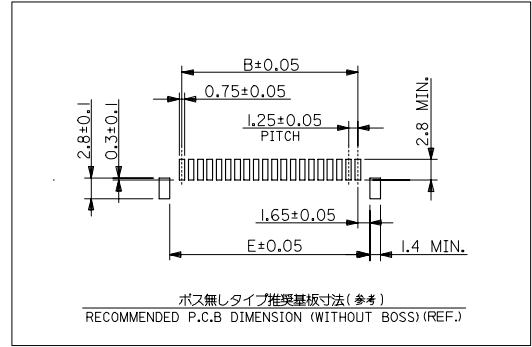
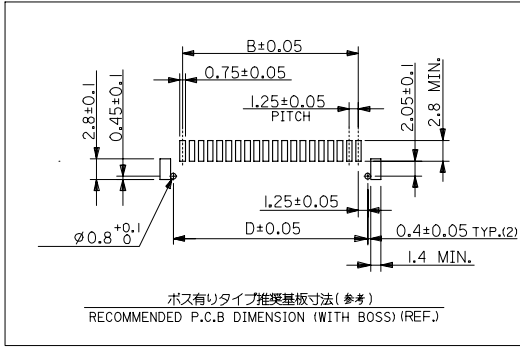
6: ボス無し WITHOUT BOSS

色 COLOR 0: 自然色 NATURAL

5. 本製品は 55450-**10/**30/**70/**80 の鉛フリー品である。
THIS PRODUCT IS LEAD FREE OF 55450-**10/**30/**70/**80.

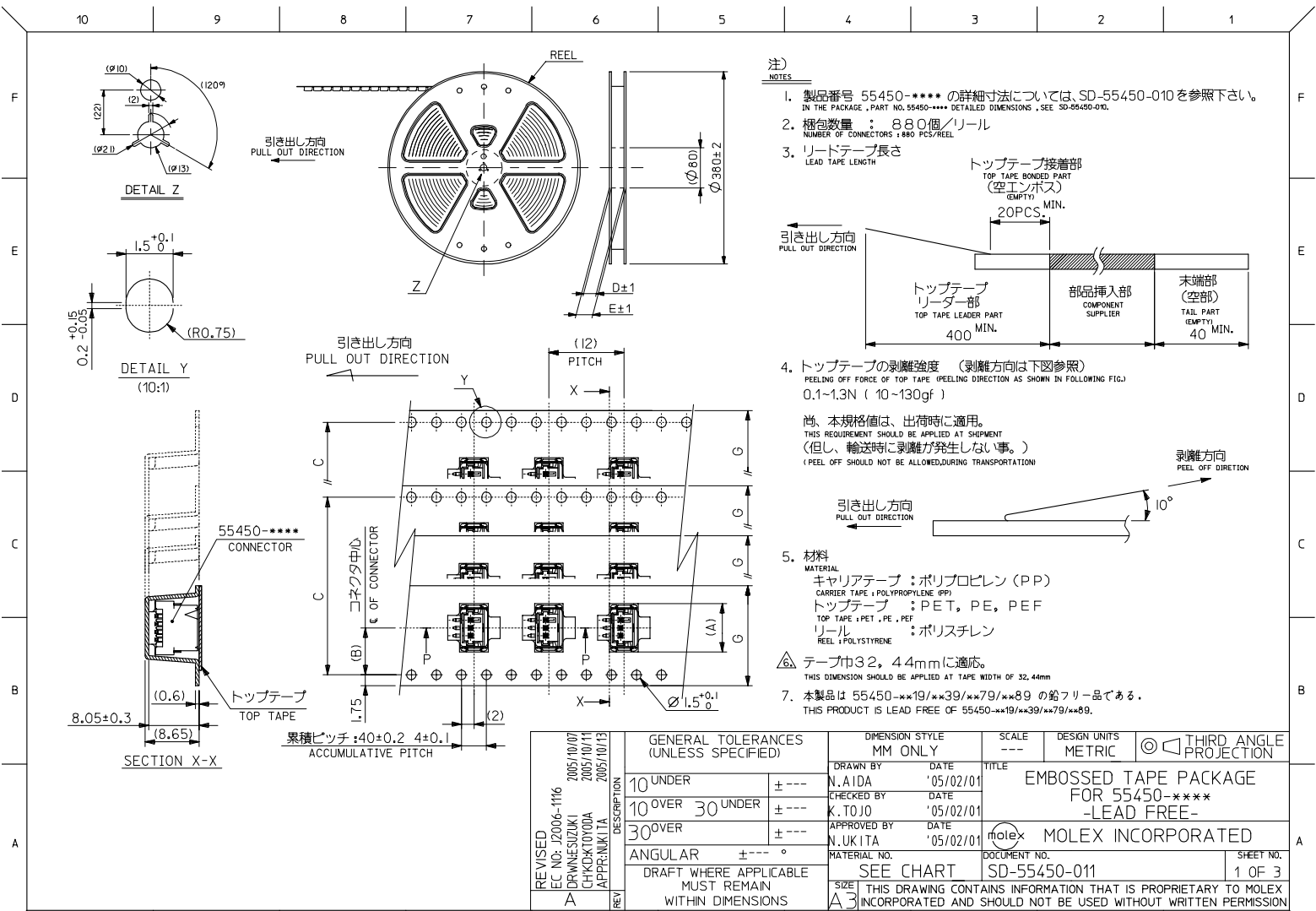
REVISED EC NO: J2007-0536 2006/09/01 DRAWN: YOTANI CHKD: NIKITA APPR: NIKITA 2006/09/08	GENERAL TOLERANCES (UNLESS SPECIFIED)		DIMENSION STYLE MM ONLY	SCALE 4:1	DESIGN UNITS METRIC	THIRD ANGLE PROJECTION
	10 UNDER	±0.2	DRAWN BY N.AIDA	DATE '05/02/01	TITLE MINI MI2 1-ROW SMT WAFER ASS'Y (TIN) -LEAD FREE-	
	10 OVER 30 UNDER	±0.25	CHECKED BY K.TOJO	DATE '05/02/01	MOLEX INCORPORATED	
	30 OVER	±0.3	APPROVED BY N.UKITA	DATE '05/02/01	MATERIAL NO. SEE CHART	DOCUMENT NO. SD-55450-010
REV A	ANGULAR ±3° DRAFT WHERE APPLICABLE MUST REMAIN WITHIN DIMENSIONS		SIZE A3 THIS DRAWING CONTAINS INFORMATION THAT IS PROPRIETARY TO MOLEX INCORPORATED AND SHOULD NOT BE USED WITHOUT WRITTEN PERMISSION			

10 9 8 7 6 5 4 3 2 1



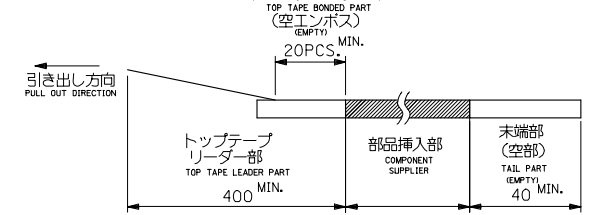
REVISED EC NO: JZ007-0536 2006/09/01 DRAWN: YOTANI CHKD: NIKITA APPR: NIKITA 2006/09/08	GENERAL TOLERANCES (UNLESS SPECIFIED)		DIMENSION STYLE MM ONLY	SCALE 4:1	DESIGN UNITS METRIC	THIRD ANGLE PROJECTION
	10 UNDER	±0.2	DRAWN BY N.AIDA	DATE '05/02/01	TITLE MINI MI2 1-ROW SMT WAFER ASS'Y (TIN) -LEAD FREE-	
	10 OVER 30 UNDER	±0.25	CHECKED BY K.TOJO	DATE '05/02/01	MOLEX INCORPORATED	
	30 OVER	±0.3	APPROVED BY N.UKITA	DATE '05/02/01		
ANGULAR	±3 °	MATERIAL NO. SEE CHART	DOCUMENT NO. SD-55450-010	SHEET NO. 2 OF 2		
A	DRAFT WHERE APPLICABLE MUST REMAIN WITHIN DIMENSIONS		THIS DRAWING CONTAINS INFORMATION THAT IS PROPRIETARY TO MOLEX INCORPORATED AND SHOULD NOT BE USED WITHOUT WRITTEN PERMISSION			

9 8 7 6 5 4 3 2 1 EN-02JA(021)

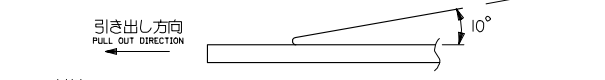


注) NOTES

- 製品番号 55450-**** の詳細寸法については、SD-55450-010を参照下さい。
IN THE PACKAGE, PART NO. 55450-**** DETAILED DIMENSIONS, SEE SD-55450-010.
- 梱包数量 : 880個/リール
NUMBER OF CONNECTORS : 880 PCS/REEL
- リードテープ長さ
LEAD TAPE LENGTH



- トップテープの剥離強度 (剥離方向は下図参照)
PEELING OFF FORCE OF TOP TAPE (PEELING DIRECTION AS SHOWN IN FOLLOWING FIG.)
0.1~1.3N (10~130gf)
尚、本規格値は、出荷時に適用。
(THIS REQUIREMENT SHOULD BE APPLIED AT SHIPMENT
(但し、輸送時に剥離が発生しない事。))
(PEEL OFF SHOULD NOT BE ALLOWED DURING TRANSPORTATION)



- 材料
MATERIAL
キャリアテープ : ポリプロピレン (PP)
CARRIER TAPE : POLYPROPYLENE (PP)
トップテープ : PET, PE, PEF
TOP TAPE : PET, PE, PEF
リール : ポリスチレン
REEL : POLYSTYRENE

- テープ巾32, 44mmに適合。
THIS DIMENSION SHOULD BE APPLIED AT TAPE WIDTH OF 32, 44mm
- 本製品は 55450-***19/**39/**79/**89 の鉛フリー品である。
THIS PRODUCT IS LEAD FREE OF 55450-***19/**39/**79/**89.

GENERAL TOLERANCES (UNLESS SPECIFIED)		DIMENSION STYLE MM ONLY		SCALE ---	DESIGN UNITS METRIC	THIRD ANGLE PROJECTION
10 UNDER	±---	DRAWN BY N.AIDA	DATE '05/02/01	EMBOSSD TAPE PACKAGE FOR 55450-**** -LEAD FREE-		
10 OVER 30 UNDER	±---	CHECKED BY K.TOJO	DATE '05/02/01			
30 OVER	±---	APPROVED BY N.UKITA	DATE '05/02/01			
ANGULAR	±---	MATERIAL NO. SEE CHART		MOLEX INCORPORATED		
DRAFT WHERE APPLICABLE MUST REMAIN WITHIN DIMENSIONS		DOCUMENT NO. SD-55450-011		SHEET NO. 1 OF 3		
SIZE A3 THIS DRAWING CONTAINS INFORMATION THAT IS PROPRIETARY TO MOLEX INCORPORATED AND SHOULD NOT BE USED WITHOUT WRITTEN PERMISSION						

10 9 8 7 6 5 4 3 2 1

F
E
D
C
B
A

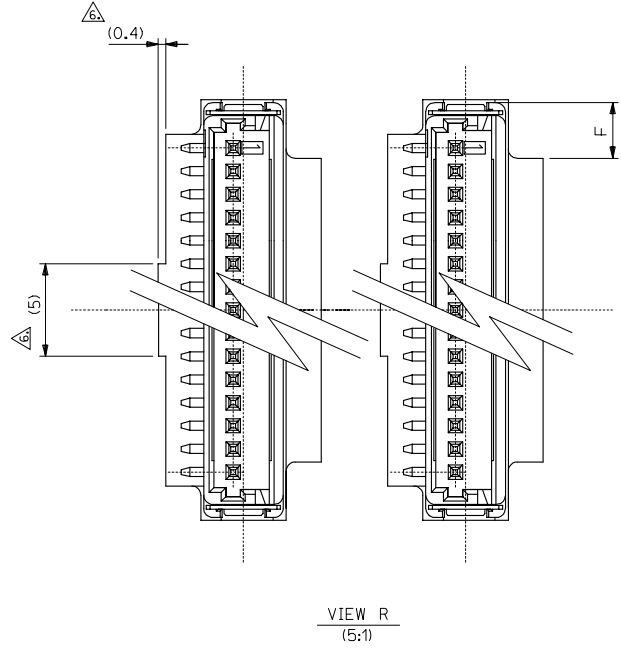
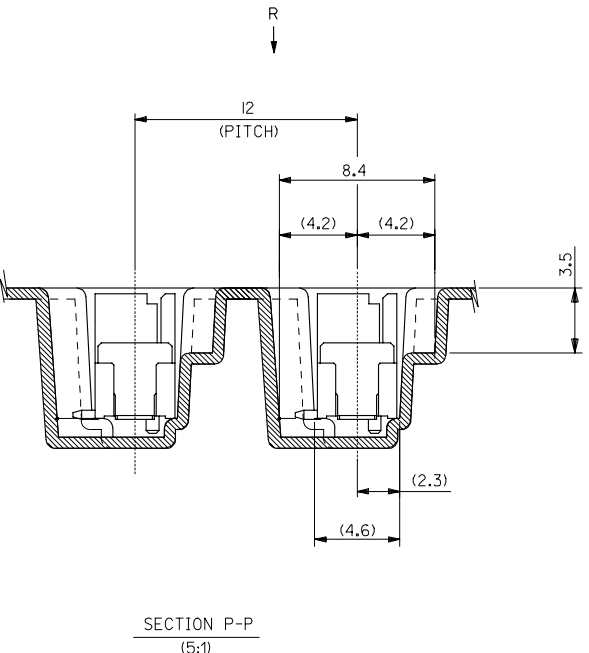
F
E
D
C
B
A

G	F	E	(D)	C	(B)	(A)	CONNECTOR	55450-2060	55450-2069	MODEL NO.	CONNECTOR	55450-2050	55450-2059	MODEL NO.	種数 CIRCUIT SIZE	量産対応 AVAILABLE				
44	3	49.4	45.4	40.4	20.2	28.95	55450-2060	55450-2069	55450-**69 ボス無し WITHOUT BOSS		55450-2050	55450-2059	55450-**59 ボス有り WITH BOSS		20	OK				
						27.7	↑	-1960			↑	-1969			↑	-1950	↑	-1959	19	NO
						26.45		-1860				-1869				-1850		-1859	18	OK
						25.2		-1760				-1769				-1750		-1759	17	NO
						23.95		-1660				-1669				-1650		-1659	16	OK
						22.7		-1560				-1569				-1550		-1559	15	OK
32	2	37.4	33.4	28.4	14.2	21.45		-1460		-1469		-1450		-1459	14	OK				
						20.2		-1360		-1369		-1350		-1359	13	OK				
						18.95		-1260		-1269		-1250		-1259	12	OK				
						17.7		-1160		-1169		-1150		-1159	11	OK				
						16.45		-1060		-1069		-1050		-1059	10	OK				
						15.2		-0960		-0969		-0950		-0959	9	NO				
24	2	29.4	25.4	11.5	13.95		-0860		-0869		-0850		-0859	8	OK					
					12.7		-0760		-0769		-0750		-0759	7	OK					
					11.45		-0660		-0669		-0650		-0659	6	OK					
					10.2		-0560		-0569		-0550		-0559	5	OK					
					8.95		-0460		-0469		-0450		-0459	4	NO					
					7.7		-0360		-0369		-0350		-0359	3	OK					
16		21.4	17.4	7.5	6.45	55450-0260	55450-0269			55450-0250	55450-0259			2	OK					

キャリアテープ幅 TAPE WIDTH	F	E	(D)	C	(B)	(A)	CONNECTOR	エンボス梱包品 製品番号 MATERIAL NO.	55450-0269	MODEL NO.	CONNECTOR	エンボス梱包品 製品番号 MATERIAL NO.	55450-0259	MODEL NO.	種数 CIRCUIT SIZE	量産対応 AVAILABLE
GENERAL TOLERANCES (UNLESS SPECIFIED) 10 UNDER ± --- 10 OVER 30 UNDER ± --- 30 OVER ± --- ANGULAR ± --- ° DRAFT WHERE APPLICABLE MUST REMAIN WITHIN DIMENSIONS								DIMENSION STYLE MM ONLY DRAWN BY: N.AIDA DATE: '05/02/01 CHECKED BY: K.TOJO DATE: '05/02/01 APPROVED BY: N.UKITA DATE: '05/02/01		SCALE: --- DESIGN UNITS: METRIC THIRD ANGLE PROJECTION		EMBOSSED TAPE PACKAGE FOR 55450-**** -LEAD FREE- MOLEX INCORPORATED DOCUMENT NO. SD-55450-011 SHEET NO. 2 OF 3				
REVISED E.C. NO.: J2006-1116 DRAWN BY: SUZUKI CHIKOKI APPR. BY: UKITA DATE: 2005/10/07 DATE: 2005/10/11 DATE: 2005/10/13								SIZE: A3 THIS DRAWING CONTAINS INFORMATION THAT IS PROPRIETARY TO MOLEX INCORPORATED AND SHOULD NOT BE USED WITHOUT WRITTEN PERMISSION								

10 9 8 7 6 5 4 3 2 1

F
E
D
C
B
A



REVISED EC NO: J2006-1116 2005/10/07 DRW:NE SUZUKI 2005/10/11 CHK:KYOYODA 2005/10/13 APPR:NIKITA	GENERAL TOLERANCES (UNLESS SPECIFIED)		DIMENSION STYLE MM ONLY	SCALE 5:1	DESIGN UNITS METRIC	THIRD ANGLE PROJECTION
	10 UNDER	±---	DRAWN BY N.AIDA	DATE '05/02/01	TITLE EMBOSSED TAPE PACKAGE FOR 55450-**** -LEAD FREE-	
	10 OVER 30 UNDER	±---	CHECKED BY K.TOJO	DATE '05/02/01	MOLEX INCORPORATED	
	30 OVER	±---	APPROVED BY N.UKITA	DATE '05/02/01	MATERIAL NO. SEE CHART	DOCUMENT NO. SD-55450-011
ANGULAR ±---°		DRAFT WHERE APPLICABLE MUST REMAIN WITHIN DIMENSIONS		SIZE A3 THIS DRAWING CONTAINS INFORMATION THAT IS PROPRIETARY TO MOLEX INCORPORATED AND SHOULD NOT BE USED WITHOUT WRITTEN PERMISSION		