

Excellent Integrated System Limited

Stocking Distributor

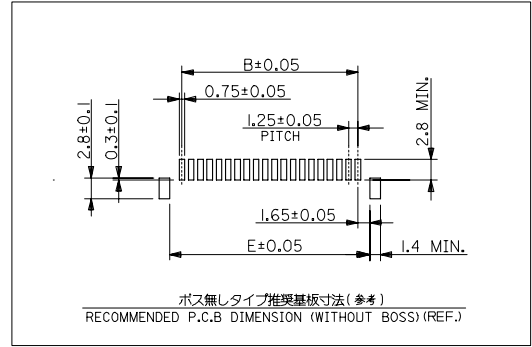
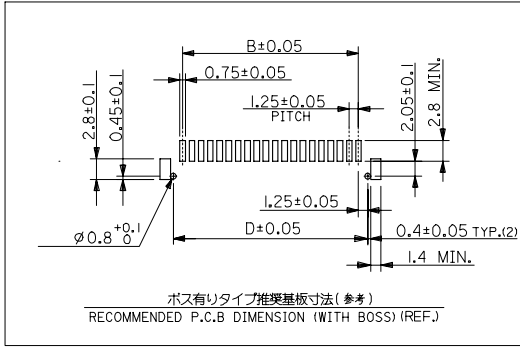
Click to view price, real time Inventory, Delivery & Lifecycle Information:

[Molex Connector Corporation](#)
[0554501469](#)

For any questions, you can email us directly:

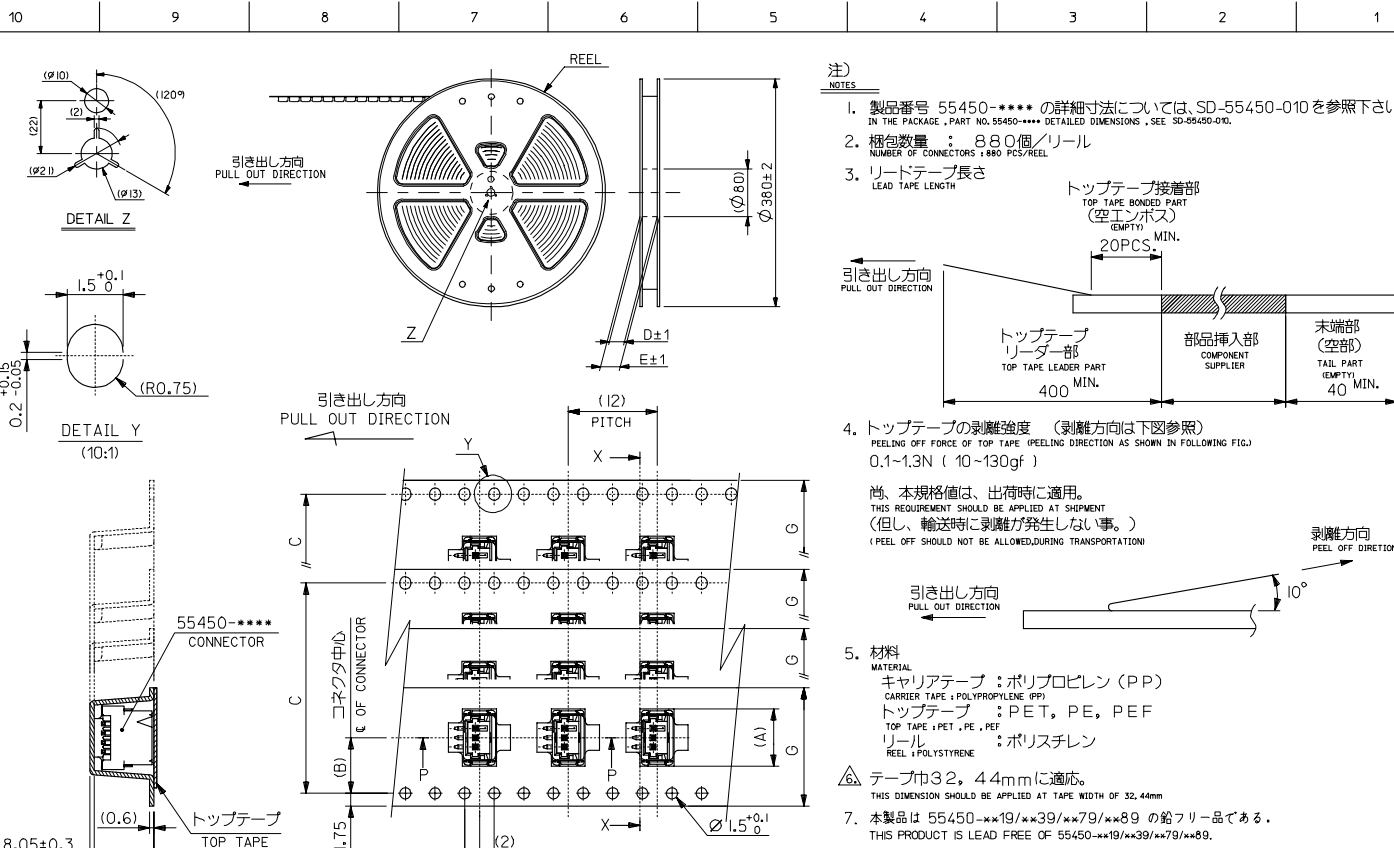
sales@integrated-circuit.com

10 9 8 7 6 5 4 3 2 1

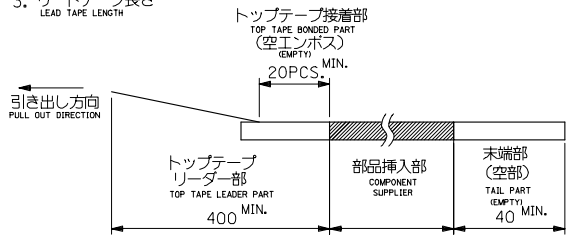


REVISED EC NO: JZ007-05366 2006/09/01 DRAWN: YOTANI CHKD: NIKITA APPR: NIKITA 2006/09/05 2006/09/08	GENERAL TOLERANCES (UNLESS SPECIFIED)		DIMENSION STYLE MM ONLY	SCALE 4:1	DESIGN UNITS METRIC	THIRD ANGLE PROJECTION
	10 UNDER	±0.2	DRAWN BY N.AIDA	DATE '05/02/01	TITLE MINI MI2 1-ROW SMT WAFER ASS'Y (TIN) -LEAD FREE-	
	10 OVER 30 UNDER	±0.25	CHECKED BY K.TOJO	DATE '05/02/01	MOLEX INCORPORATED	
	30 OVER	±0.3	APPROVED BY N.UKITA	DATE '05/02/01		
ANGULAR	±3 °	MATERIAL NO.	SEE CHART	DOCUMENT NO. SD-55450-010	SHEET NO. 2 OF 2	
A	DRAFT WHERE APPLICABLE MUST REMAIN WITHIN DIMENSIONS		SIZE A3	THIS DRAWING CONTAINS INFORMATION THAT IS PROPRIETARY TO MOLEX INCORPORATED AND SHOULD NOT BE USED WITHOUT WRITTEN PERMISSION		

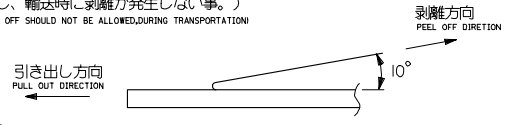
9 8 7 6 5 4 3 2 1 EN-02JA(021)



- 注) NOTES
- 製品番号 55450-**** の詳細寸法については、SD-55450-010を参照下さい。
IN THE PACKAGE, PART NO. 55450-**** DETAILED DIMENSIONS, SEE SD-55450-010.
 - 梱包数量 : 880個/リール
NUMBER OF CONNECTORS : 880 PCS/REEL
 - リードテープ長さ
LEAD TAPE LENGTH



- トップテープの剥離強度 (剥離方向は下図参照)
PEELING OFF FORCE OF TOP TAPE (PEELING DIRECTION AS SHOWN IN FOLLOWING FIG.)
0.1~1.3N (10~130gf)
尚、本規格値は、出荷時に適用。
(THIS REQUIREMENT SHOULD BE APPLIED AT SHIPMENT
(但し、輸送時に剥離が発生しない事。))
(PEEL OFF SHOULD NOT BE ALLOWED DURING TRANSPORTATION)



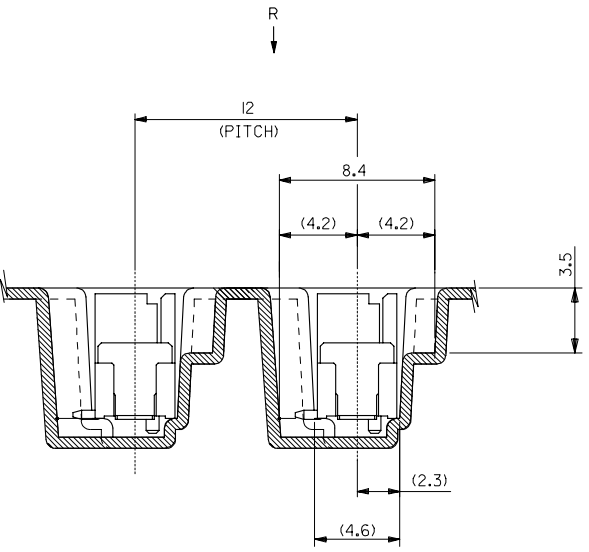
- 材料
MATERIAL
キャリアテープ : ポリプロピレン (PP)
CARRIER TAPE : POLYPROPYLENE (PP)
トップテープ : PET, PE, PEF
TOP TAPE : PET, PE, PEF
リール : ポリスチレン
REEL : POLYSTYRENE

- テープ巾32, 44mmに適合。
THIS DIMENSION SHOULD BE APPLIED AT TAPE WIDTH OF 32, 44mm
7. 本製品は 55450-***19/**39/**79/**89 の鉛フリー品である。
THIS PRODUCT IS LEAD FREE OF 55450-***19/**39/**79/**89.

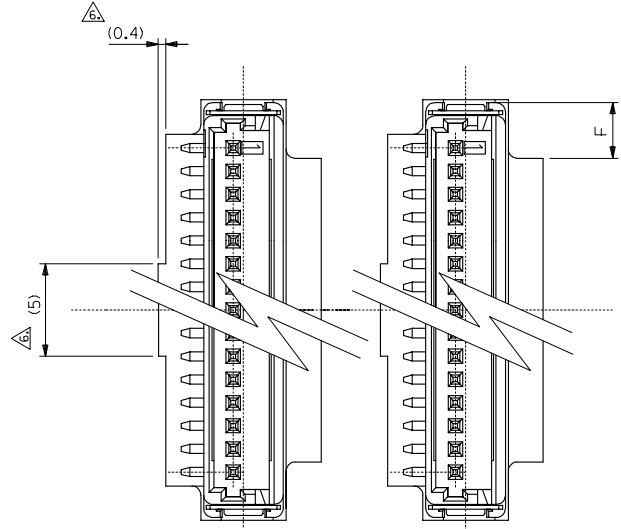
REVISED EC NO: J2006-1116 DRAWN: SUZUKI CHKD: TOYODA APP: NIKITA	2005/10/07	GENERAL TOLERANCES (UNLESS SPECIFIED)	DIMENSION STYLE MM ONLY	SCALE ---	DESIGN UNITS METRIC	THIRD ANGLE PROJECTION
	DESCRIPTION	10 UNDER ±---	DRAWN BY N.AIDA	DATE '05/02/01	EMBOSSD TAPE PACKAGE FOR 55450-**** -LEAD FREE-	
		10 OVER 30 UNDER ±---	CHECKED BY K.TOJO	DATE '05/02/01	molex MOLEX INCORPORATED	
		30 OVER ±---	APPROVED BY N.UKITA	DATE '05/02/01	DOCUMENT NO. SD-55450-011	SHEET NO. 1 OF 3
REV A		ANGULAR ±---° DRAFT WHERE APPLICABLE MUST REMAIN WITHIN DIMENSIONS	MATERIAL NO. SEE CHART	THIS DRAWING CONTAINS INFORMATION THAT IS PROPRIETARY TO MOLEX INCORPORATED AND SHOULD NOT BE USED WITHOUT WRITTEN PERMISSION		

10 9 8 7 6 5 4 3 2 1

F
E
D
C
B
A



SECTION P-P
(5:1)



VIEW R
(5:1)

REVISED EC NO: JZ006-1116 DRW:NE SUZUKI CHK:KYOYODA APPR:NIKITA 2005/10/07 2005/10/11 2005/10/13	GENERAL TOLERANCES (UNLESS SPECIFIED)		DIMENSION STYLE MM ONLY	SCALE 5:1	DESIGN UNITS METRIC	THIRD ANGLE PROJECTION
	10 UNDER	±---	DRAWN BY N.AIDA	DATE '05/02/01	TITLE EMBOSSED TAPE PACKAGE FOR 55450-**** -LEAD FREE-	
	10 OVER 30 UNDER	±---	CHECKED BY K.TOJO	DATE '05/02/01	MOLEX INCORPORATED	
	30 OVER	±---	APPROVED BY N.UKITA	DATE '05/02/01	MATERIAL NO. SEE CHART	
	ANGULAR	±---°	DOCUMENT NO. SD-55450-011		SHEET NO. 3 OF 3	
	DRAFT WHERE APPLICABLE MUST REMAIN WITHIN DIMENSIONS		SIZE A3		THIS DRAWING CONTAINS INFORMATION THAT IS PROPRIETARY TO MOLEX INCORPORATED AND SHOULD NOT BE USED WITHOUT WRITTEN PERMISSION	