

Excellent Integrated System Limited

Stocking Distributor

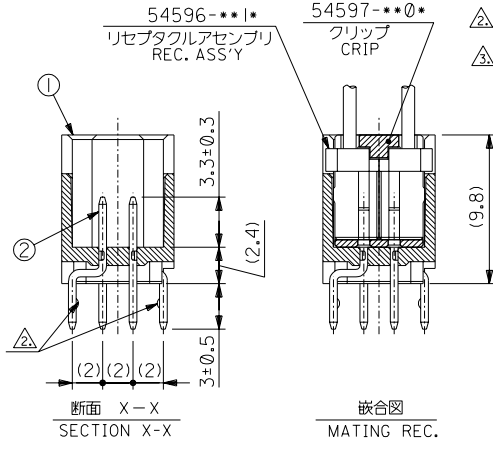
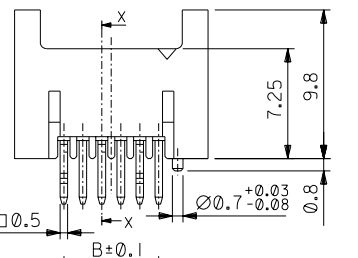
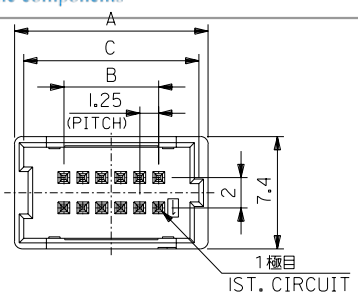
Click to view price, real time Inventory, Delivery & Lifecycle Information:

[Molex Connector Corporation](#)
[0554511670](#)

For any questions, you can email us directly:
sales@integrated-circuit.com

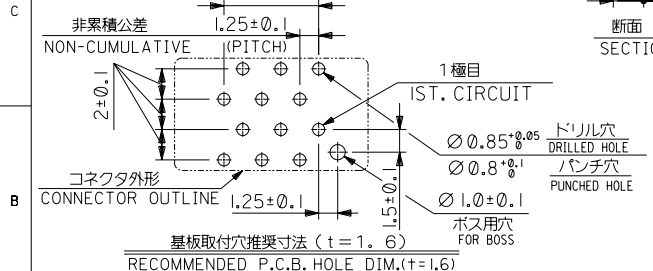
DWG. NO. SD-55451-006

| 番号 NO. | 名称 NAME | 原料 MATERIAL | 数量 QTY | 仕上げ FINISH |
|-----------|---------------|----------------|-----------|----------------------|
| ① | ウェハー WEFAR | ナイロン NYLON | 1 | UL 94V-0 |
| ② | ピン PIN | 黄銅 BRASS | N | 全体錫メッキ PRE-TINNED |



注)NOTES
 1. 原料および仕上げ: 表参照
 MATERIAL AND FINISH : SEE CHART
 △ キンフは、両サイド4ピンに適用。(4極品までは、全極に適用)
 TO BE APPLICABLE 4 PIN OF BOTH SIDE.
 △ 製品番号
 MATERIAL NO.
 55451-***7
 極数 CIRCUIT SIZE (10 ~ 40)
 メッキ仕様: 無鉛 PLATING: LEAD FREE
 色 COLOR 0: 自然色 NATURAL

| 29.05 | 23.75 | 30.25 | 40 | 55451-407* |
|-------|-------|-------|----|------------|
| 27.8 | 22.5 | 29 | 38 | -387* |
| 26.55 | 21.25 | 27.75 | 36 | -367* |
| 25.3 | 20 | 26.5 | 34 | -347* |
| 24.05 | 18.75 | 25.25 | 32 | -327* |
| 22.8 | 17.5 | 24 | 30 | -247* |
| 21.55 | 16.25 | 22.75 | 28 | -287* |
| 20.3 | 15 | 21.5 | 26 | -267* |
| 19.05 | 13.75 | 20.25 | 24 | -247* |
| 17.8 | 12.5 | 19 | 22 | -227* |
| 16.55 | 11.25 | 17.75 | 20 | -207* |
| 15.3 | 10 | 16.5 | 18 | -187* |
| 14.05 | 8.75 | 15.25 | 16 | -167* |
| 12.8 | 7.5 | 14 | 14 | -147* |
| 11.55 | 6.25 | 12.75 | 12 | -127* |
| 10.3 | 5 | 11.5 | 10 | 55451-107* |



無鉛
LEAD FREE

| DO NOT SCALE DRAWING | | | | REV | | GENERAL TOLERANCES: (UNLESS SPECIFIED) | | SCALE | | DESIGN UNITS | | THIRD ANGLE PROJECTION | | DIMENSIONS: | | SHT | | REV | |
|----------------------|-------|------|-------|--------|-------|---|-------|--------------------|-------|----------------------|-------|--|-------|---------------------------------|-------|-------------|-------|-------------------|-------|
| EC NO. | DRWN: | CHK: | APPR: | EC NO. | DRWN: | CHK: | APPR: | EC NO. | DRWN: | CHK: | APPR: | EC NO. | DRWN: | CHK: | APPR: | EC NO. | DRWN: | CHK: | APPR: |
| | | | | 0 | | SEE CHART | | 4:1 | | mm | | mm | | mm | | mm | | mm | |
| | | | | 0 | | SEE CHART | | DRAWN BY & DATE | | N. YOSHIDA '03/02/12 | | TITLE: | | Mini MII 2-ROW WAFER ASS'Y (Sn) | | | | | |
| | | | | 0 | | SEE CHART | | CHECKED BY & DATE | | Y. Oie | | MATERIAL NO. | | SEE CHART | | DRAWING NO. | | SD-55451-006 | |
| | | | | 0 | | SEE CHART | | APPROVED BY & DATE | | Y. Oie | | MATERIAL NO. | | SEE CHART | | DRAWING NO. | | SD-55451-006 | |
| | | | | 0 | | SEE CHART | | CAD FILENAME | | 55451006.S01 | | MATERIAL NO. | | SEE CHART | | DRAWING NO. | | SD-55451-006 | |
| | | | | 0 | | SEE CHART | | ANGLE | | 角度 | | THIS DRAWING CONTAINS INFORMATION THAT IS PROPRIETARY TO MOLEX INCORPORATED AND SHOULD NOT BE USED WITHOUT WRITTEN PERMISSION. | | SIZE | | B | | SHEET NO. 1 OF 1 | |
| | | | | 0 | | SEE CHART | | INS. RANGE | | 適用電線範囲 | | | | | | | | EN-02J(097)MXJ-54 | |