

Excellent Integrated System Limited

Stocking Distributor

Click to view price, real time Inventory, Delivery & Lifecycle Information:

[Molex Connector Corporation](#)
[0554512870](#)

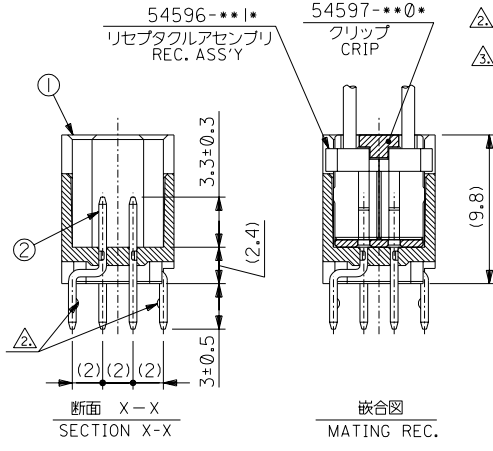
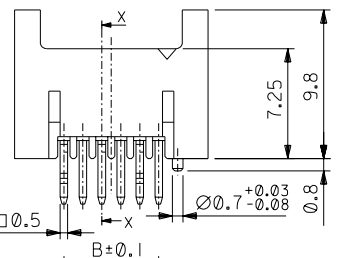
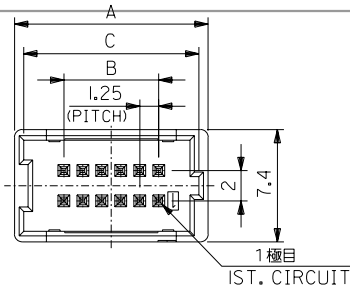
For any questions, you can email us directly:

sales@integrated-circuit.com

DWG. NO. SD-55451-006

番号 NO.	名称 NAME	原料 MATERIAL	数量 QTY	仕上げ FINISH
①	ウエハー WEFAR	ナイロン NYLON	1	UL 94V-0
②	ピン PIN	黄銅 BRASS	N	全体錫メッキ PRE-TINNED

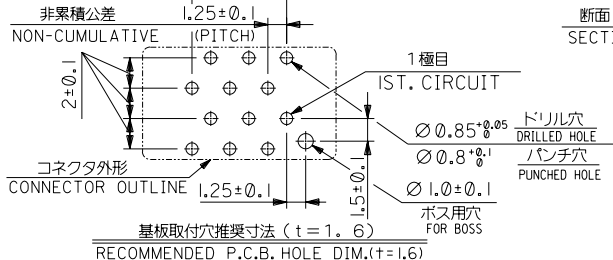
注)NOTES
 1. 原料および仕上げ: 表参照
 MATERIAL AND FINISH : SEE CHART
 △ キンフは、両サイド4ピンに適用。(4極品までは、全極に適用)
 TO BE APPLICABLE 4 PIN OF BOTH SIDE.
 △ 製品番号
 MATERIAL NO.
 55451-***7



極数 CIRCUIT SIZE (10 ~ 40)
 メッキ仕様: 無鉛 PLATING: LEAD FREE
 色 COLOR φ: 自然色 NATURAL

29.05	23.75	30.25	40	55451-407*
27.8	22.5	29	38	-387*
26.55	21.25	27.75	36	-367*
25.3	20	26.5	34	-347*
24.05	18.75	25.25	32	-327*
22.8	17.5	24	30	-247*
21.55	16.25	22.75	28	-287*
20.3	15	21.5	26	-267*
19.05	13.75	20.25	24	-247*
17.8	12.5	19	22	-227*
16.55	11.25	17.75	20	-207*
15.3	10	16.5	18	-187*
14.05	8.75	15.25	16	-167*
12.8	7.5	14	14	-147*
11.55	6.25	12.75	12	-127*
10.3	5	11.5	10	55451-107*
C	B	A	極数 CIRCUIT SIZE	△ 製品番号 MATERIAL NO.

無鉛
LEAD FREE



基板取付穴推奨寸法 (t=1.6)
RECOMMENDED P.C.B. HOLE DIM. (t=1.6)

DO NOT SCALE DRAWING				MATERIAL 材料		GENERAL TOLERANCES: (UNLESS SPECIFIED) 一般公差		SCALE 4:1		DESIGN UNITS 図mm □ INCH		THIRD ANGLE PROJECTION		DIMENSIONS: 寸法		SHT REV	
EC NO. DRAWN: CHK'G: APPR:	EC NO. DRAWN: CHK'G: APPR:	EC NO. DRAWN: CHK'G: APPR:	EC NO. DRAWN: CHK'G: APPR:	DESCRIPTION	SEE CHART	UNDER 未満	OVER 超過	10	30	mm	INCH	mm	INCH	mm	INCH	REV	REV
				新製作成 RELEASED	SEE CHART	10	30	+	+	DRAWN BY & DATE		THIRD ANGLE PROJECTION		TITLE:			
				EC NO. J2003-2786	SEE CHART	10	30	+	+	N. YOSHIDA '03/02/12		THIRD ANGLE PROJECTION		Mini MII 2-ROW WAFER ASS'Y (Sn)			
				DRW'N: YOSHIDA 03/05/01	SEE CHART	30	OVER 以上	+	+	CHECKED BY & DATE		THIRD ANGLE PROJECTION		MOLEX INCORPORATED			
				CHK'G: M.YAGI	SEE CHART	30	OVER 以上	+	+	APPROVED BY & DATE		THIRD ANGLE PROJECTION		MATERIAL NO.			
				APPR: YOJITO	SEE CHART	ANGLE 角度	+	+	+	CAD FILENAME		THIRD ANGLE PROJECTION		DRAWING NO.			
				REV	SEE CHART					55451006.S01		THIRD ANGLE PROJECTION		SD-55451-006			
				INS. RANGE 検査外径	SEE CHART					THIS DRAWING CONTAINS INFORMATION THAT IS PROPRIETARY TO MOLEX INCORPORATED AND SHOULD NOT BE USED WITHOUT WRITTEN PERMISSION.		THIRD ANGLE PROJECTION		SHEET NO.			
					SEE CHART							THIRD ANGLE PROJECTION		1 OF 1			
					SEE CHART							THIRD ANGLE PROJECTION		EN-02J(097) MXJ-54			