

## Excellent Integrated System Limited

Stocking Distributor

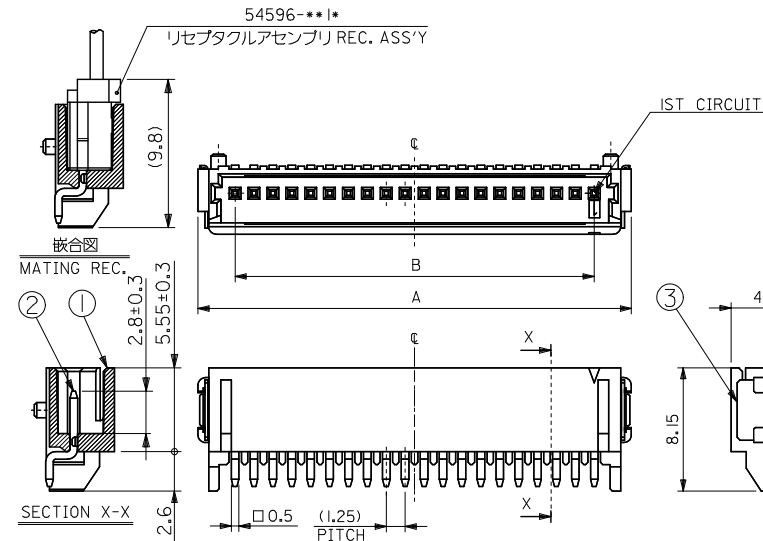
Click to view price, real time Inventory, Delivery & Lifecycle Information:

[Molex Connector Corporation](#)  
[0554560559](#)

For any questions, you can email us directly:

[sales@integrated-circuit.com](mailto:sales@integrated-circuit.com)

10 9 8 7 6 5 4 3 2 1



- 注記**  
NOTES
- 材料及仕上げ: 表参照  
MATERIAL AND FINISH: SEE CHART
  - エンボス梱包品の詳細は、SD-55456-011を参照の事。  
DETAILED TAPING PACKAGE, SEE SD-55456-011

製品番号  
MATERIAL NO.  
55456-\*\*\*\*

極数 CIRCUIT SIZE (02~20)

ボス BOSS 5: 有り WITH BOSS  
6: 無し WITHOUT BOSS

色 COLOR 0: 自然色 NATURAL

4. 本製品は 55456-\*\*10/\*\*30/\*\*70/\*\*80 の鉛フリー品である。  
THIS PRODUCT IS LEAD FREE OF 55456-\*\*10/\*\*30/\*\*70/\*\*80.

番号 NO.	名称 NAME	材料 MATERIAL	数量 QTY	仕上げ FINISH
①	ウエハー WAFER	ナイロン NYLON	1	UL94V-0 色: 原色 COLOR: NATURAL
②	ピン PIN	黄銅 BRASS	N	全体鍍メッキ PRE-TINNED
③	ネール NAIL	黄銅 BRASS	2	鍍メッキ TIN PLATING

ボス無しタイプ WITHOUT BOSS	ボス有りタイプ WITH BOSS
55456-**6*	55456-**5*

55456-2060				55456-2050			
27.25	25.95	23.75	28.65				
26	24.7	22.5	27.4				
24.75	23.45	21.25	26.15				
23.5	22.2	20	24.9				
22.25	20.95	18.75	23.65				
21	19.7	17.5	22.4				
19.75	18.45	16.25	21.15				
18.5	17.2	15	19.9				
17.25	15.95	13.75	18.65				
16	14.7	12.5	17.4				
14.75	13.45	11.25	16.15				
13.5	12.2	10	14.9				
12.25	10.95	8.75	13.65				
11	9.7	7.5	12.4				
9.75	8.45	6.25	11.15				
8.5	7.2	5	9.9				
7.25	5.95	3.75	8.65				
6	4.7	2.5	7.4				
4.75	3.45	1.25	6.15				
D	C	B	A	MATERIAL NO.	MODEL NO.	MATERIAL NO.	MODEL NO.

REVISED EC NO. J2016-0718 2016/01/27  
DRAWN: SHIMONISHI 2016/01/27  
CHK: KOKURAKAMI 2016/01/27  
APPR: TANAKA 2016/02/16

GENERAL TOLERANCES (UNLESS SPECIFIED)

10 UNDER	±0.2
10 OVER 30 UNDER	±0.25
30 OVER	±0.3

ANGULAR ±3°  
DRAFT WHERE APPLICABLE MUST REMAIN WITHIN DIMENSIONS

DIMENSION STYLE: MM ONLY  
SCALE: 4:1  
DESIGN UNITS: METRIC  
THIRD ANGLE PROJECTION

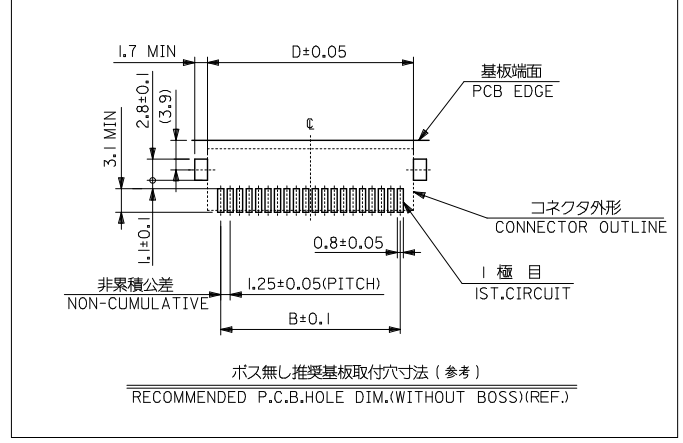
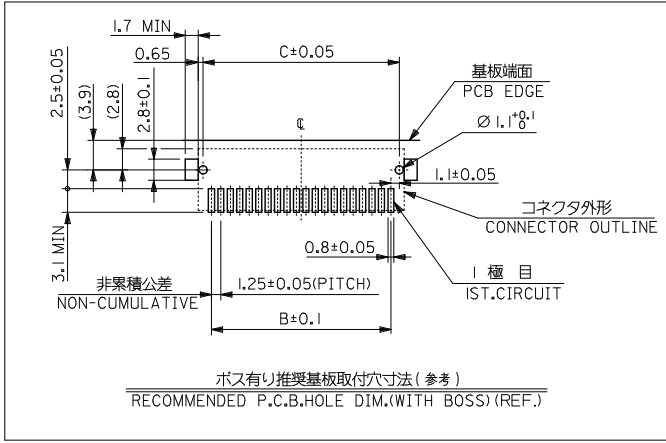
TITLE: MINI MI2 1-ROW R/A SMT ASS'Y -LEAD FREE-

APPROVED BY: N. UKITA DATE: '05/02/04

MATERIAL NO. SEE CHART  
DOCUMENT NO. SD-55456-010  
SHEET NO. 1 OF 2

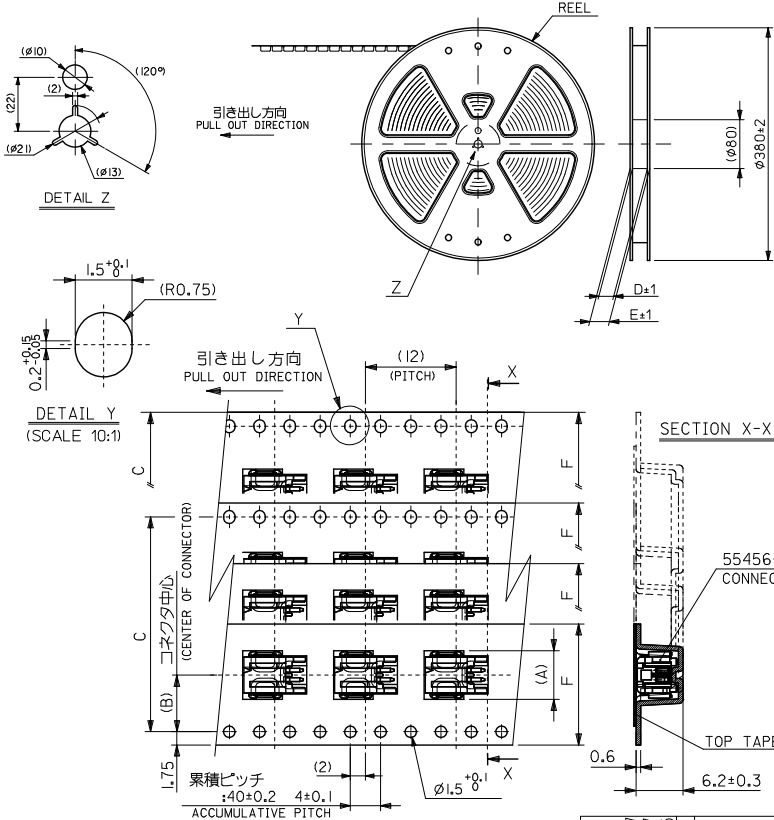
THIS DRAWING CONTAINS INFORMATION THAT IS PROPRIETARY TO MOLEX INCORPORATED AND SHOULD NOT BE USED WITHOUT WRITTEN PERMISSION

10 9 8 7 6 5 4 3 2 1



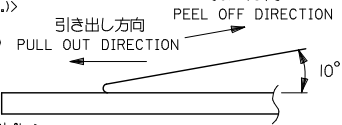
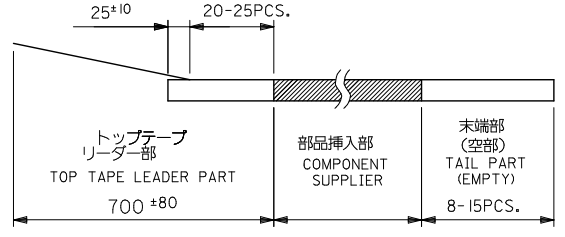
REVISED	EC NO. J2016-0718	GENERAL TOLERANCES (UNLESS SPECIFIED)	DIMENSION STYLE	SCALE	DESIGN UNITS	THIRD ANGLE PROJECTION
	DRW:SHIMONISHI 2016/01/27	10 UNDER ±0.2	MM ONLY	4:1	METRIC	
	CHK:KOMURAKAMI 2016/01/27	10 OVER 30 UNDER ±0.25	DRAWN BY N.AIDA DATE '05/02/04	TITLE		
	APPR:KANeko 2016/02/16	30 OVER ±0.3	CHECKED BY K.TOJO DATE '05/02/04	MINI MI2 1-ROW R/A SMT ASS'Y -LEAD FREE-		
DESCRIPTION	ANGULAR ±3 °	DRAFT WHERE APPLICABLE MUST REMAIN WITHIN DIMENSIONS	APPROVED BY N.UKITA DATE '05/02/04	MOLEX INCORPORATED		SHEET NO. 2 OF 2
REV. A	SEE CHART	MATERIAL NO.		DOCUMENT NO. SD-55456-010		INCORPORATED AND SHOULD NOT BE USED WITHOUT WRITTEN PERMISSION

10 9 8 7 6 5 4 3 2 1



**注記 NOTES**

- 製品番号 55456-\*\*\*\* の詳細寸法については、SD-55456-010 を参照下さい。  
IN THE PACKAGE, PART NO. 55456-\*\*\*\* DETAILED DIMENSION, SEE SD-55456-010
- 梱包数量: 1250個/リール  
NUMBER OF CONNECTORS: 1250 PCS/REEL
- リードテープ長さ  
LEAD TAPE LENGTH  
トップテープ接着部  
TOP TAPE BONDED PART  
引き出し方向  
PULL OUT DIRECTION  
(空インボス)  
(EMPTY)
- トップテープの剥離強度: 0.1~1.3 (10~130gf)  
(剥離方向は下図参照)  
<剥離速度: 300mm/min (参考)>  
PEEL-OFF FORCE OF TOP TAPE: 0.1~1.3 (10~130gf)  
(PEELING DIRECTION AS SHOWN IN FOLLOWING FIG.)  
<PEEL-OFF SPEED: 300mm/min (REF.)>  
尚、本規格値は、出荷時に適用。  
(但し、輸送時に剥離が発生しない事。) PULL OUT DIRECTION  
THIS REQUIREMENT SHOULD BE APPLIED AT SHIPMENT  
(PEEL OFF SHOULD NOT BE ALLOWED, DURING TRANSPORTATION)
- 材料  
MATERIAL  
キャリアテープ: ポリプロピレン  
CARRIER TAPE: POLYPROPYLENE  
トップテープ: PET, PE, PP  
TOP TAPE: PET, PE, PEF  
リール: ポリスチレン  
REEL: POLYSTYRENE
- 本製品は 55456-\*\*19/\*\*39/\*\*79/\*\*89 の鉛フリー品である。  
THIS PRODUCT IS LEAD FREE OF 55456-\*\*19/\*\*39/\*\*79/\*\*89.



REVISED EC NO: J2016-0718 DRAWN BY: S.HIYONISHI 2016/01/27 CHKD: KOKURAMAKI 2016/01/27 APPR: IKANEKO 2016/02/16	GENERAL TOLERANCES (UNLESS SPECIFIED)		DIMENSION STYLE MM ONLY	SCALE 2:1	DESIGN UNITS METRIC	THIRD ANGLE PROJECTION
	10 UNDER	±0.2	DRAWN BY N.AIDA	DATE '05/02/04	EMBOSSED TAPE PACKAGE FOR 55456-**** -LEAD FREE- MOLEX INCORPORATED	
	10 OVER 30 UNDER	±0.25	CHECKED BY K.TOJO	DATE '05/02/04		
	30 OVER	±0.3	APPROVED BY N.UKITA	DATE '05/02/04		
ANGULAR	±3 °	MATERIAL NO.	DOCUMENT NO. SD-55456-011			
A	DRAFT WHERE APPLICABLE MUST REMAIN WITHIN DIMENSIONS		SEE CHART	THIS DRAWING CONTAINS INFORMATION THAT IS PROPRIETARY TO MOLEX INCORPORATED AND SHOULD NOT BE USED WITHOUT WRITTEN PERMISSION		SHEET NO. 1 OF 2

10 9 8 7 6 5 4 3 2 1

44	49.4	45.4	40.4	20.2	28.95	55456-2060	55456-2069	55456-**69 ボス無し WITHOUT BOSS	55456-2050	55456-2059	55456-**59 ボス有り WITH BOSS	20						
					27.7	-1960	-1969		-1950	-1959		19						
					26.45	-1860	-1869		-1850	-1859		18						
					25.2	-1760	-1769		-1750	-1759		17						
					23.95	-1660	-1669		-1650	-1659		16						
					22.7	-1560	-1569		-1550	-1559		15						
32	37.4	33.4	28.4	14.2	21.45	-1460	-1469	-1450	-1459	14								
					20.2	-1360	-1369	-1350	-1359	13								
					18.95	-1260	-1269	-1250	-1259	12								
					17.7	-1160	-1169	-1150	-1159	11								
					16.45	-1060	-1069	-1050	-1059	10								
					15.2	-960	-969	-950	-959	9								
24	29.4	25.4	11.5	7.5	13.95	-0860	-0869	-0850	-0859	8								
					12.7	-0760	-0769	-0750	-0759	7								
					11.45	-0660	-0669	---	---	6								
					10.2	-0560	-0569	-0550	-0559	5								
					8.95	-0460	-0469	-0450	-0459	4								
					7.7	-0360	-0369	---	---	3								
16	21.4	17.4	7.5	7.5	6.45	55456-0260	55456-0269	55456-0250	55456-0259	2								
					F キャリアテープ幅 TAPE WIDTH		E		(D)		(C)		(B)		(A)		CONNECTOR	エンボス梱包品 製品番号 MATERIAL NO.

REVISED EC NO: J2016-0718 DRAWN: SSIH MONISHI 2016/01/27 CHKD: KOMURAKAMI 2016/01/27 APPR: IKANEKO 2016/02/16	GENERAL TOLERANCES (UNLESS SPECIFIED)		DIMENSION STYLE MM ONLY		SCALE 2:1	DESIGN UNITS METRIC	THIRD ANGLE PROJECTION
	10 UNDER	± 0.2	DRAWN BY N. AIDA	DATE '05/02/04	TITLE EMBOSSSED TAPE PACKAGE FOR 55456-**** -LEAD FREE-		
	10 OVER 30 UNDER	± 0.25	CHECKED BY K. TOJO	DATE '05/02/04	MOLEX INCORPORATED		
	30 OVER	± 0.3	APPROVED BY N. UKITA	DATE '05/02/04	DOCUMENT NO. SD-55456-011		
ANGULAR ± 3 °		DRAFT WHERE APPLICABLE MUST REMAIN WITHIN DIMENSIONS		SEE CHART		SHEET NO. 2 OF 2	
THIS DRAWING CONTAINS INFORMATION THAT IS PROPRIETARY TO MOLEX INCORPORATED AND SHOULD NOT BE USED WITHOUT WRITTEN PERMISSION							