



## Excellent Integrated System Limited

Stocking Distributor

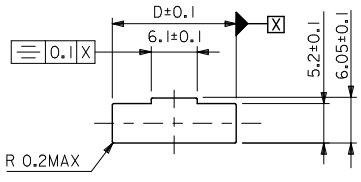
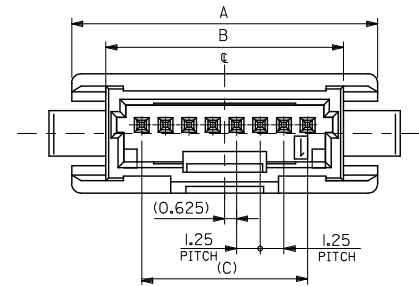
Click to view price, real time Inventory, Delivery & Lifecycle Information:

[Molex Connector Corporation](#)  
[0554820719](#)

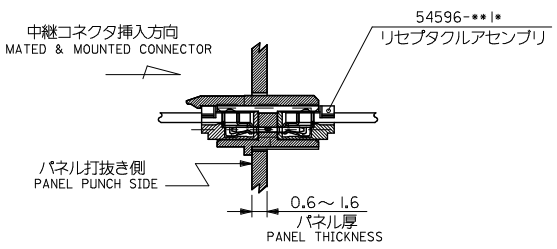
For any questions, you can email us directly:

[sales@integrated-circuit.com](mailto:sales@integrated-circuit.com)

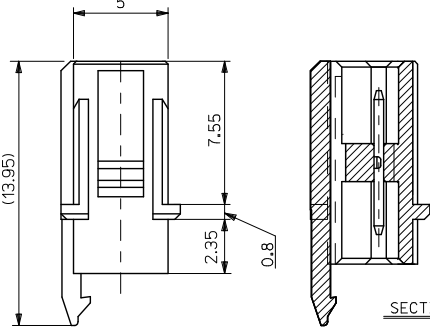
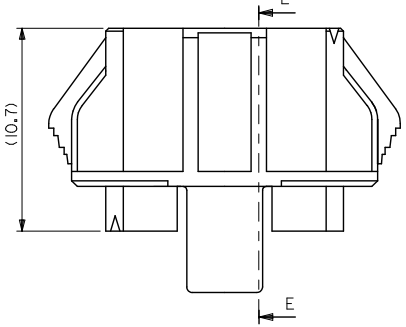
10 9 8 7 6 5 4 3 2 1



推奨/パネル加工寸法 (SCALE:2-1)  
RECOMMENDED PANEL CUT DIMENSION



嵌合状態図  
MATED & MOUNTED CONNECTOR

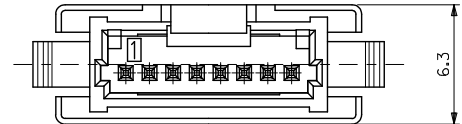


SECTION E-E

注記  
NOTES

- 1.材質  
MATERIAL  
クエハ: ポリアミド、UL94-V0、ナチュラル色  
WAFFER: PA、UL94-V0、COLOR NATURAL  
ピン: 黄銅、銅下地、鍍メッキ  
PIN: BRASS, PRE-TINNED
- 2.嵌合相手  
MATE WITH  
リセブタクルアセンブリ: 54596-\*\*\*1\*  
REC.ASSY: 54596-\*\*\*
- 3.本製品は 54596-\*\*\*10 の鉛フリー品である。  
THIS PRODUCT IS LEAD FREE OF 54596-\*\*\*10.
4. ELV AND RoHS COMPLIANT.

31.35	23.75	27.55	31.15	55482-2019	20
30.1	22.5	26.3	29.9	55482-1919	19
28.85	21.25	25.05	28.65	55482-1819	18
27.6	20	23.8	27.4	55482-1719	17
26.35	18.75	22.55	26.15	55482-1619	16
25.1	17.5	21.3	24.9	55482-1519	15
23.85	16.25	20.05	23.65	55482-1419	14
22.6	15	18.8	22.4	55482-1319	13
21.35	13.75	17.55	21.15	55482-1219	12
20.1	12.5	16.3	19.9	55482-1119	11
18.85	11.25	15.05	18.65	55482-1019	10
17.6	10	13.8	17.4	55482-0919	9
16.35	8.75	12.55	16.15	55482-0819	8
15.1	7.5	11.3	14.9	55482-0719	7
13.85	6.25	10.05	13.65	55482-0619	6
12.6	5	8.8	12.4	55482-0519	5
11.35	3.75	7.55	11.15	55482-0419	4
10.1	2.5	6.3	9.9	55482-0319	3
8.85	1.25	5.05	8.65	55482-0219	2
D	C	B	A	TRAY	CIRCUITS



55482-\*\*\*19 MODEL NO. ORDER NO. オーダー番号

REVISED EC NO. J2010-0770 DRAWN: KON CHKD: KAKAWA APPR: NIKITA REV A	2009/07/27	2009/07/28	2009/07/29	GENERAL TOLERANCES (UNLESS SPECIFIED)	DIMENSION STYLE MM ONLY	SCALE 5:1	DESIGN UNITS METRIC	THIRD ANGLE PROJECTION		
	10 UNDER	±0.2	DRAWN BY Y. SAKIYAMA						DATE 04/05/10	TITLE MINI MI2 1-ROW RELAY WAFFER ASSY -LEAD FREE-
	10 OVER 30 UNDER	±0.25	CHECKED BY M. SASAO						DATE 04/05/10	MOLEX INCORPORATED
	30 OVER	±0.3	APPROVED BY M. SASAO						DATE 04/05/10	
ANGULAR	±3 °	MATERIAL NO.			SEE TABLE	SHEET NO. 1 OF 1				
DRAFT WHERE APPLICABLE MUST REMAIN WITHIN DIMENSIONS				THIS DRAWING CONTAINS INFORMATION THAT IS PROPRIETARY TO MOLEX INCORPORATED AND SHOULD NOT BE USED WITHOUT WRITTEN PERMISSION						