



## Excellent Integrated System Limited

Stocking Distributor

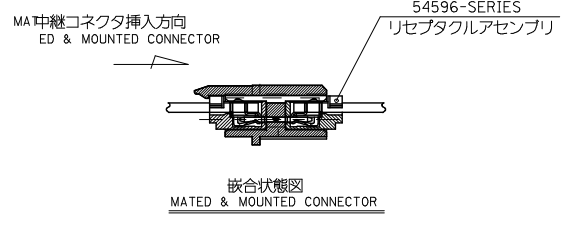
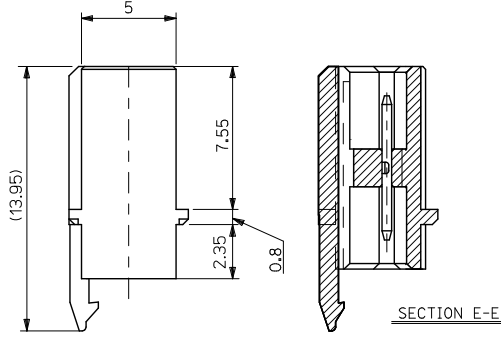
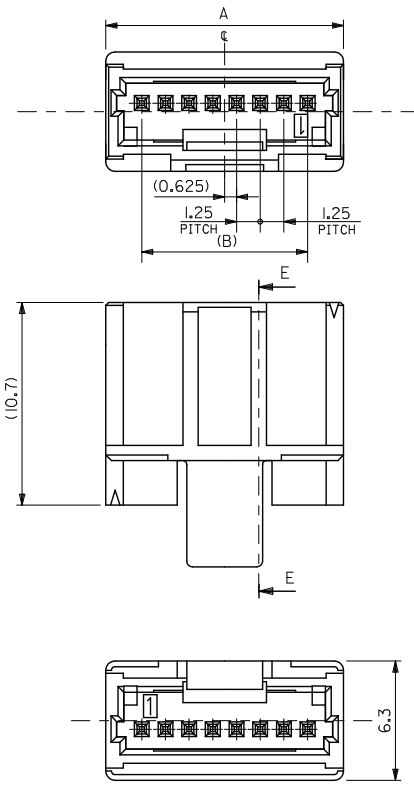
Click to view price, real time Inventory, Delivery & Lifecycle Information:

[Molex Connector Corporation](#)  
[0554820839](#)

For any questions, you can email us directly:

[sales@integrated-circuit.com](mailto:sales@integrated-circuit.com)

10 9 8 7 6 5 4 3 2 1



**注記 1.材質**  
NOTES MATERIAL  
ウェハー: ポリアミド、UL94-V0、ナチュラル色  
WAFER: PA、UL94-V0、COLOR NATURAL  
ピン: 黄銅、銅下地 鍍メッキ  
PIN: BRASS, PRE-TINNED

**2.嵌合相手**  
MATE WITH  
リセブタクルアセンブリ: 54596 シリーズ  
REC.ASS'Y: 54596 SERIES  
ピン: リン青銅、鍍メッキ  
PIN: PHOSPHOR BRONZE, PRE-TINNED

**3.本製品は 55482-\*\*\*30 の鉛フリー品である。**  
THIS PRODUCT IS LEAD FREE OF 55482-\*\*\*30.

**4.ELV AND RoHS COMPLIANT.**

23.75	27.55	55482-2039	20
22.5	26.3	55482-1939	19
21.25	25.05	55482-1839	18
20	23.8	55482-1739	17
18.75	22.55	55482-1639	16
17.5	21.3	55482-1539	15
16.25	20.05	55482-1439	14
15	18.8	55482-1339	13
13.75	17.55	55482-1239	12
12.5	16.3	55482-1139	11
11.25	15.05	55482-1039	10
10	13.8	55482-0939	9
8.75	12.55	55482-0839	8
7.5	11.3	55482-0739	7
6.25	10.05	55482-0639	6
5	8.8	55482-0539	5
3.75	7.55	55482-0439	4
2.5	6.3	55482-0339	3
1.25	5.05	55482-0239	2
B	A	TRAY	CIRCUITS

REVISED EC NO. J2010-0170 DRAWN: KON CHKD: KAKAWA APPR: NIKITA REV A	DESCRIPTION 2009/07/27 2009/07/28 2009/07/29	GENERAL TOLERANCES (UNLESS SPECIFIED)		DIMENSION STYLE MM ONLY		MODEL NO. 55482-***39		ORDER NO. オーダー番号		TITLE MINI MI2 1-ROW RELAY WAFER ASSY -LEAD FREE- MOLEX INCORPORATED SD-55482-005 SHEET NO. 1 OF 1
		10 UNDER	± 0.2	DRAWN BY T. UENO	DATE 2004/06/07	SCALE 5:1	DESIGN UNITS METRIC	THIRD ANGLE PROJECTION		
		10 OVER 30 UNDER	± 0.25	CHECKED BY M. SASAO	DATE 2004/06/07					
		30 OVER	± 0.3	APPROVED BY M. SASAO	DATE 2004/06/07					
ANGULAR ± 3 °		DRAFT WHERE APPLICABLE MUST REMAIN WITHIN DIMENSIONS		MATERIAL NO. SEE TABLE		DOCUMENT NO.				
SIZE A3 THIS DRAWING CONTAINS INFORMATION THAT IS PROPRIETARY TO MOLEX INCORPORATED AND SHOULD NOT BE USED WITHOUT WRITTEN PERMISSION										