



## Excellent Integrated System Limited

Stocking Distributor

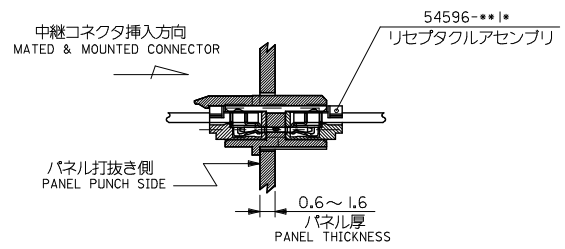
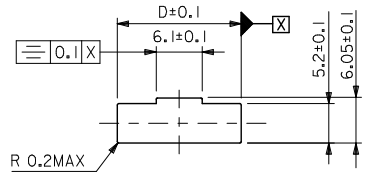
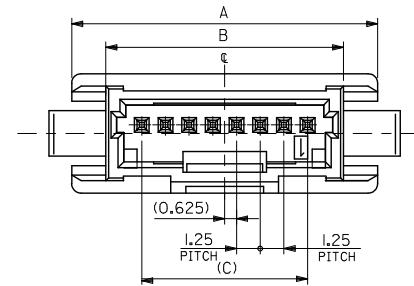
Click to view price, real time Inventory, Delivery & Lifecycle Information:

[Molex Connector Corporation](#)  
[0554821419](#)

For any questions, you can email us directly:

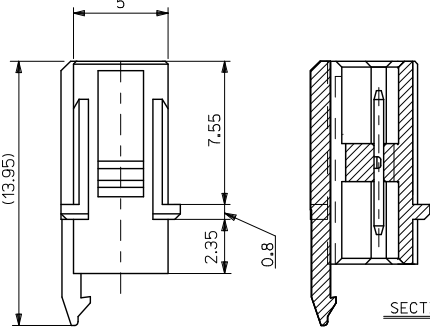
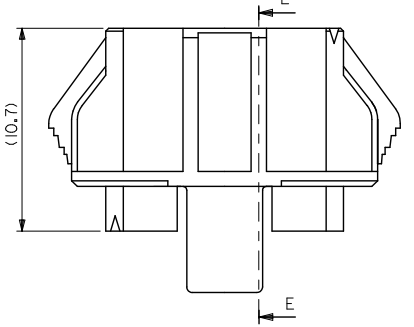
[sales@integrated-circuit.com](mailto:sales@integrated-circuit.com)

10 9 8 7 6 5 4 3 2 1



推奨/パネル加工寸法 (SCALE:2-1)  
RECOMMENDED PANEL CUT DIMENSION

嵌合状態図  
MATED & MOUNTED CONNECTOR



注記  
NOTES

- 1.材質  
MATERIAL  
クエハ:ポリアミド、UL94-V0、ナチュラル色  
WAFFER:PA、UL94-V0、COLOR NATURAL  
ピン:黄銅、銅下地、鍍メッキ  
PIN:BRASS、PRE-TINNED
- 2.嵌合相手  
MATE WITH  
リセブタクルアセンブリ:54596-\*\*\*1\*  
REC.ASSY:54596-\*\*\*1\*  
ピン:リン青銅、鍍メッキ  
PIN:PHOSPHOR BRONZE、PRE-TINNED
- 3.本製品は54482-\*\*\*10の鉛フリー品である。  
THIS PRODUCT IS LEAD FREE OF 54482-\*\*\*10.
4. ELV AND RoHS COMPLIANT.

31.35	23.75	27.55	31.15	55482-2019	20
30.1	22.5	26.3	29.9	55482-1919	19
28.85	21.25	25.05	28.65	55482-1819	18
27.6	20	23.8	27.4	55482-1719	17
26.35	18.75	22.55	26.15	55482-1619	16
25.1	17.5	21.3	24.9	55482-1519	15
23.85	16.25	20.05	23.65	55482-1419	14
22.6	15	18.8	22.4	55482-1319	13
21.35	13.75	17.55	21.15	55482-1219	12
20.1	12.5	16.3	19.9	55482-1119	11
18.85	11.25	15.05	18.65	55482-1019	10
17.6	10	13.8	17.4	55482-0919	9
16.35	8.75	12.55	16.15	55482-0819	8
15.1	7.5	11.3	14.9	55482-0719	7
13.85	6.25	10.05	13.65	55482-0619	6
12.6	5	8.8	12.4	55482-0519	5
11.35	3.75	7.55	11.15	55482-0419	4
10.1	2.5	6.3	9.9	55482-0319	3
8.85	1.25	5.05	8.65	55482-0219	2
D	C	B	A	TRAY	CIRCUITS

55482-\*\*\*19 MODEL NO. ORDER NO. オーダー番号

REVISED EC NO. J2010-0170 DRAWN: KON CHKD: SASAKAWA APPR: NIKITA REV: A	2009/07/27	2009/07/28	2009/07/29	GENERAL TOLERANCES (UNLESS SPECIFIED)	10 UNDER	±0.2	DIMENSION STYLE MM ONLY	DRAWN BY Y. SAKIYAMA	DATE 04/05/10	TITLE MINI MI2 1-ROW RELAY WAFFER ASSY -LEAD FREE-
	10 OVER	30 UNDER	±0.25		CHECKED BY M. SASAO	DATE 04/05/10				
	30 OVER	±0.3	APPROVED BY M. SASAO		DATE 04/05/10					
	ANGULAR	±3 °	MATERIAL NO.		DOCUMENT NO.					
DRAFT WHERE APPLICABLE MUST REMAIN WITHIN DIMENSIONS				SEE TABLE	THIS DRAWING CONTAINS INFORMATION THAT IS PROPRIETARY TO MOLEX INCORPORATED AND SHOULD NOT BE USED WITHOUT WRITTEN PERMISSION		SIZE A3	SHEET NO. 1 OF 1		