

Excellent Integrated System Limited

Stocking Distributor

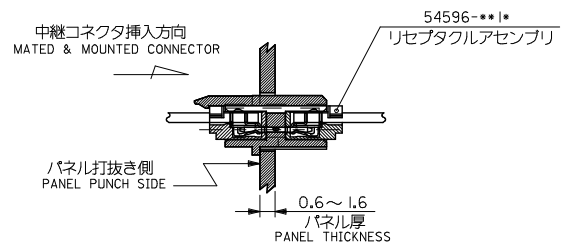
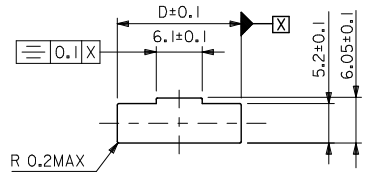
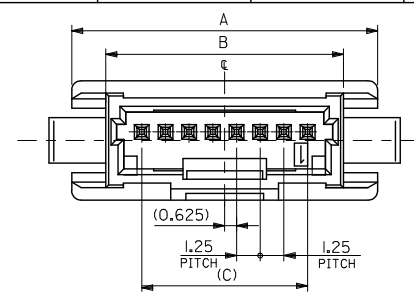
Click to view price, real time Inventory, Delivery & Lifecycle Information:

[Molex Connector Corporation](#)
[0554822019](#)

For any questions, you can email us directly:

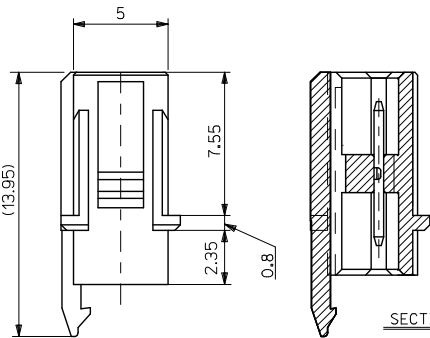
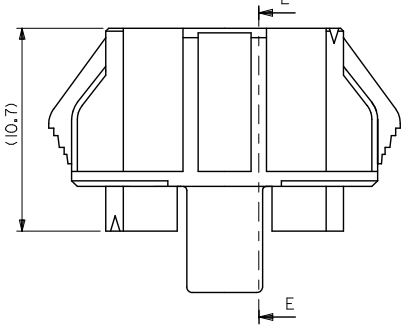
sales@integrated-circuit.com

10 9 8 7 6 5 4 3 2 1



推奨/パネル加工寸法 (SCALE:2-1)
RECOMMENDED PANEL CUT DIMENSION

嵌合状態図
MATED & MOUNTED CONNECTOR



SECTION E-E

注記
NOTES

- 1.材質
MATERIAL
クエハ: ポリアミド、UL94-V0、ナチュラル色
WAFFER: PA、UL94-V0、COLOR NATURAL
ピン: 黄銅、銅下地、鍍メッキ
PIN: BRASS, PRE-TINNED
- 2.嵌合相手
MATE WITH
リセプタクルアセンブリ: 54596-***1*
REC.ASSY: 54596-***1*
ピン: リン青銅、鍍メッキ
PIN: PHOSPHOR BRONZE, PRE-TINNED
- 3.本製品は 54482-***10 の鉛フリー品である。
THIS PRODUCT IS LEAD FREE OF 54482-***10.
4. ELV AND RoHS COMPLIANT.

31.35	23.75	27.55	31.15	54482-2019	20
30.1	22.5	26.3	29.9	54482-1919	19
28.85	21.25	25.05	28.65	54482-1819	18
27.6	20	23.8	27.4	54482-1719	17
26.35	18.75	22.55	26.15	54482-1619	16
25.1	17.5	21.3	24.9	54482-1519	15
23.85	16.25	20.05	23.65	54482-1419	14
22.6	15	18.8	22.4	54482-1319	13
21.35	13.75	17.55	21.15	54482-1219	12
20.1	12.5	16.3	19.9	54482-1119	11
18.85	11.25	15.05	18.65	54482-1019	10
17.6	10	13.8	17.4	54482-0919	9
16.35	8.75	12.55	16.15	54482-0819	8
15.1	7.5	11.3	14.9	54482-0719	7
13.85	6.25	10.05	13.65	54482-0619	6
12.6	5	8.8	12.4	54482-0519	5
11.35	3.75	7.55	11.15	54482-0419	4
10.1	2.5	6.3	9.9	54482-0319	3
8.85	1.25	5.05	8.65	54482-0219	2
D	C	B	A	TRAY	CIRCUITS

54482-***19	MODEL NO.	ORDER NO. オーダー番号
-------------	-----------	------------------

REVISED EC NO. J2010-0170 DRAWN: KON CHKD: SASAKAWA APPR: NIKITA REV A	2009/07/27	2009/07/28	2009/07/29	GENERAL TOLERANCES (UNLESS SPECIFIED)	10 UNDER	±0.2	DIMENSION STYLE MM ONLY	DRAWN BY Y. SAKIYAMA	DATE 04/05/10	TITLE MINI MI2 1-ROW RELAY WAFFER ASSY -LEAD FREE-
	10 OVER	30 UNDER	±0.25		CHECKED BY M. SASAO	DATE 04/05/10		DESIGN UNITS METRIC	THIRD ANGLE PROJECTION	
	30 OVER	±0.3	APPROVED BY M. SASAO		DATE 04/05/10	MATERIAL NO.		DOCUMENT NO. SD-55482-004	SHEET NO. 1 OF 1	
	ANGULAR	±3 °	DRAFT WHERE APPLICABLE MUST REMAIN WITHIN DIMENSIONS		SEE TABLE	THIS DRAWING CONTAINS INFORMATION THAT IS PROPRIETARY TO MOLEX INCORPORATED AND SHOULD NOT BE USED WITHOUT WRITTEN PERMISSION				