

Excellent Integrated System Limited

Stocking Distributor

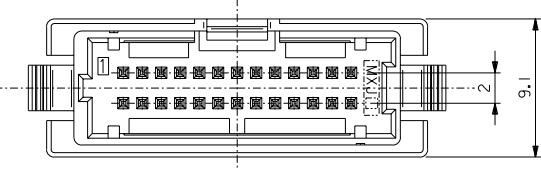
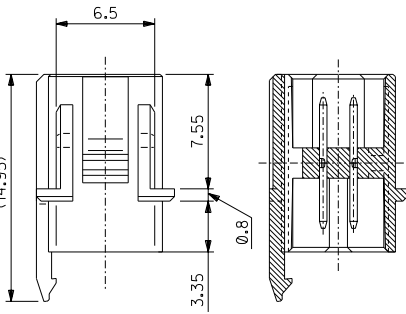
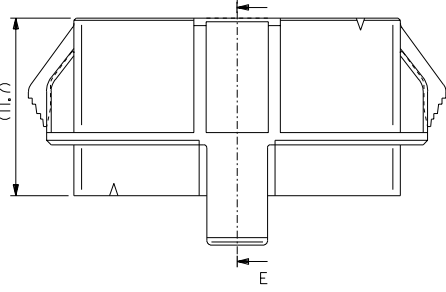
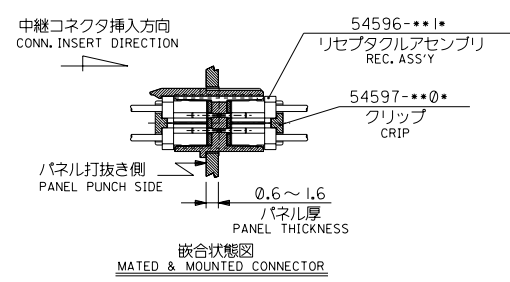
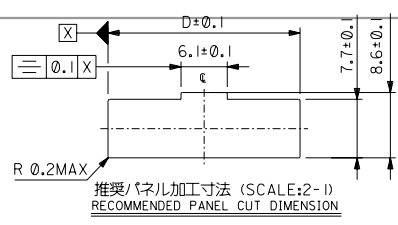
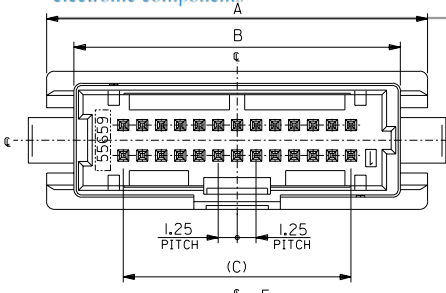
Click to view price, real time Inventory, Delivery & Lifecycle Information:

[Molex Connector Corporation](#)
[0556594019](#)

For any questions, you can email us directly:

sales@integrated-circuit.com

DWG. NO. SD-55659-004



注記
NOTES

1. 材質 MATERIAL
ワエハー: ナイロン, UL-94V0
WAFFER: NYLON, UL94-V0
ピン: 黄銅, スズメッキ
PIN: BRASS, PRE-TINNED

2. 嵌合相手 MATES WITH
リセプタクルアセンブリ: 54596-***1 REC. ASS'Y
クリップ: 54597-***0 CRIP

3. 本製品は 55659-***10 の鉛フリー品である。
THIS PRODUCT IS LEAD FREE OF 55659-***10.

34.05	23.75	30.25	33.85	40	55659-4019	
32.8	22.5	29	32.6	38	55659-3819	
31.55	21.25	27.75	31.35	36	55659-3619	
30.3	20	26.5	30.1	34	55659-3419	
29.05	18.75	25.25	28.85	32	55659-3219	
27.8	17.5	24	27.6	30	55659-3019	
26.55	16.25	22.75	26.35	28	55659-2819	
25.3	15	21.5	25.1	26	55659-2619	55659-***19
24.05	13.75	20.25	23.85	24	55659-2419	
22.8	12.5	19	22.6	22	55659-2219	
21.55	11.25	17.75	21.35	20	55659-2019	
20.3	10	16.5	20.1	18	55659-1819	
19.05	8.75	15.25	18.85	16	55659-1619	
17.8	7.5	14	17.6	14	55659-1419	
16.55	6.25	12.75	16.35	12	55659-1219	
15.3	5	11.5	15.1	10	55659-1019	
D	C	B	A	CKT	MATERIAL NO.	MODEL NO.

DO NOT SCALE DRAWING

EC NO. DRAWN: CHK'G: APPR:	EC NO. DRAWN: CHK'G: APPR:	EC NO. DRAWN: CHK'G: APPR:	EC NO. DRAWN: CHK'G: APPR:	EC NO. DRAWN: CHK'G: APPR:	新製品作成 RELEASED EC NO. J2004-4039 DRAWN: M.NABEI CHK'G: K.TOJO APPR: M.SASAO	MATERIAL 材料	GENERAL TOLERANCES: (UNLESS SPECIFIED) 一般公差	SCALE 4-1	DESIGN UNITS mm INCH	THIRD ANGLE PROJECTION	DIMENSIONS: mm INCH mm ONLY	SHT REV
						SEE CHART	10 UNDER 未滿 +0.2 10 OVER 以上 30 UNDER 未滿 +0.25 30 OVER 以上 +0.3	DRAWN BY & DATE M.NABEI 04/04/28 CHECKED BY & DATE K.TOJO 04/04/28 APPROVED BY & DATE M.SASAO 04/04/28	TITLE: Mini Mi II 2-ROW RELAY WAFER ASS'Y -LEAD FREE-	REVISE ON CAD ONLY		
8	7	6	5	4	3	2	CAD FILENAME SD-55659-004.S01		MATERIAL NO. SEE CHART	DRAWING NO. SD-55659-004	SHEET NO. 1 OF 1	SIZE B
THIS DRAWING CONTAINS INFORMATION THAT IS PROPRIETARY TO MOLEX INCORPORATED AND SHOULD NOT BE USED WITHOUT WRITTEN PERMISSION.											EN-02J(097) MXJ-54	

SD-55659-004-030