

Excellent Integrated System Limited

Stocking Distributor

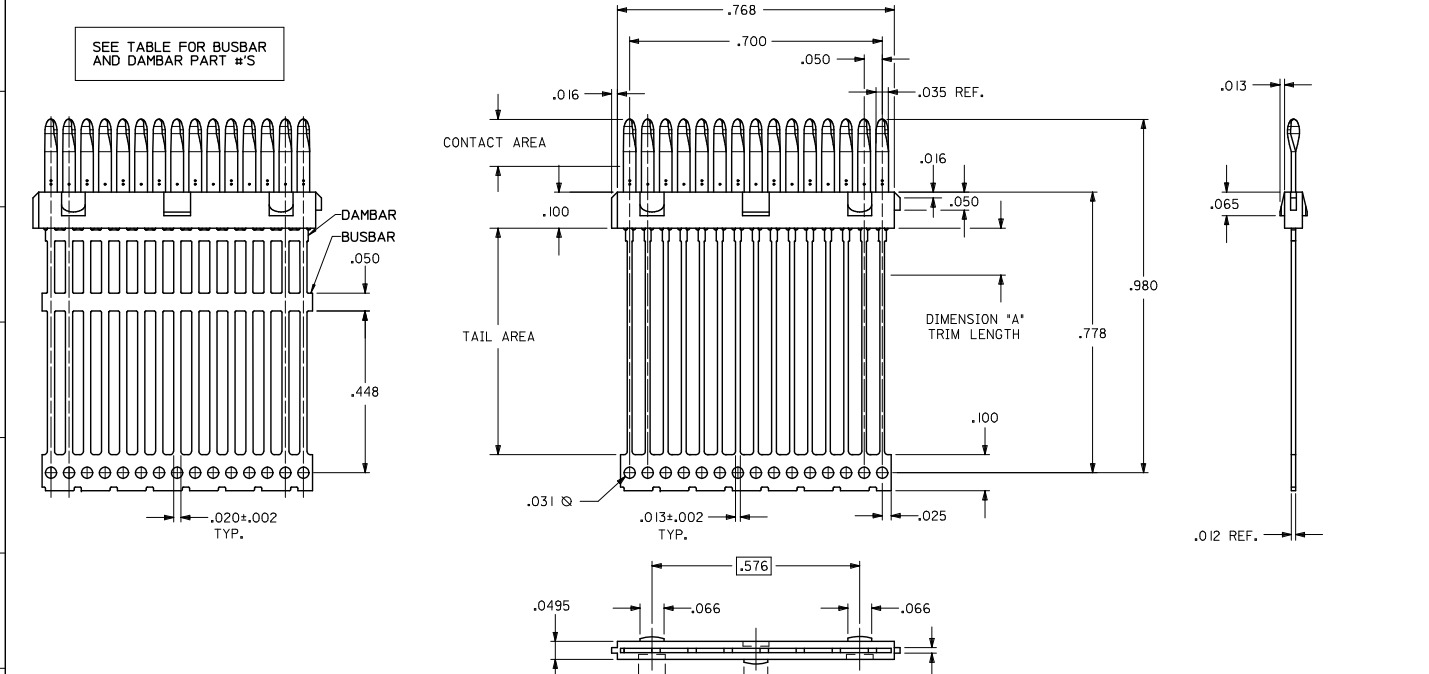
Click to view price, real time Inventory, Delivery & Lifecycle Information:

[Molex Connector Corporation](#)
[0709841013](#)

For any questions, you can email us directly:

sales@integrated-circuit.com

PART NUMBER	ENGINEERING NUMBER	DIMENSION 'A'	BUSBAR OPTION	DAMBAR OPTION	PLATING	
					CONTACT AREA	TAIL AREA
051-24-2021	70984-1001	N/A	NO	NO	.000030/(0.00076) MINIMUM GOLD OVER A NICKEL UNDERPLATE	.000100/(0.00254) MINIMUM TIN OVER A NICKEL UNDERPLATE
051-24-2022	70984-1002	.130±.010	NO	NO	.000030/(0.00076) MINIMUM GOLD OVER A NICKEL UNDERPLATE	.000100/(0.00254) MINIMUM TIN OVER A NICKEL UNDERPLATE
	70984-1007	N/A	YES	NO	.000030/(0.00076) MINIMUM GOLD OVER A NICKEL UNDERPLATE	.000050/(0.00127) MINIMUM NICKEL
	70984-1010	N/A	YES	NO	.000030/(0.00076) MINIMUM GOLD OVER A NICKEL UNDERPLATE	.000200/(0.00508) MINIMUM TIN OVER A NICKEL UNDERPLATE
	70984-1014	.130±.010	NO	NO	GOLD FLASH OVER A NICKEL UNDERPLATE	.000100/(0.00254) MINIMUM TIN OVER A NICKEL UNDERPLATE
	70984-1005	N/A	YES	YES	.000030/(0.00076) MINIMUM GOLD OVER A NICKEL UNDERPLATE	.000050/(0.00127) MINIMUM NICKEL
	70984-1008	N/A	YES	YES	.000030/(0.00076) MINIMUM GOLD OVER A NICKEL UNDERPLATE	.000200/(0.00508) MINIMUM TIN OVER A NICKEL UNDERPLATE
	70984-1100	N/A	NO	YES	.000030/(0.00076) MINIMUM GOLD OVER A NICKEL UNDERPLATE	.000100/(0.00254) MINIMUM TIN OVER A NICKEL UNDERPLATE
	70984-1013	.130±.010	YES	NO	.000030/(0.00076) MINIMUM GOLD OVER A NICKEL UNDERPLATE	.000050/(0.00127) MINIMUM NICKEL



- NOTES:
- 1) MATERIALS: INSULATOR - GLASS FILLED LIQUID CRYSTAL POLYMER (LCP), UL 94V-0, COLOR - BLACK
TERMINAL - PHOSPHOR BRONZE, .012 THICK.
 - 2) FOR PART NUMBERS AND PLATING OPTIONS, SEE CHART.
 - 3) PARTS CONFORM TO PRODUCT SPECIFICATION PS-70928.
 - 4) PACKAGED PER PK-70873-0335 EXCEPT 70984-1100, PACKAGE PER PK-70873-0351.
 - 5) PART COMPLIES WITH CLASS C OF COSMETIC SPECIFICATION PS-45499-002.

PRINT ERROR - 1014 EC NO: UCP2014-4242 DRWNG: MORGAN 2014/04/14 CHKD: MPOFF 2014/04/14 APPR: SMILLER 2014/04/18 H REV	QUALITY SYMBOLS 	GENERAL TOLERANCES (UNLESS SPECIFIED)		DIMENSION STYLE		SCALE	DESIGN UNITS	THIRD ANGLE PROJECTION 15 CKT LFH PLUG INSERT MOLDED CONTACT ASSEMBLY - MANUFACTURING molex DOCUMENT NO. SDA-70984-100 SHEET NO. 1 OF 1
				INCH ONLY		INCH	INCH	
		4 PLACES ± ---	± ---	DRAWN BY	DATE	TITLE		
		3 PLACES ± 0.01	± ---	SCHMIDGALL	07/12/1993	15 CKT LFH PLUG INSERT MOLDED CONTACT ASSEMBLY - MANUFACTURING		
2 PLACES ± ---	± ---	CHECKED BY	DATE					
1 PLACE ± ---	± ---	MOS	07/12/1993					
0 PLACE ± ---	± ---	APPROVED BY	DATE					
		CAB	07/12/1993					
ANGULAR ±1/2°		MATERIAL NO.		DOCUMENT NO.				
DRAFT WHERE APPLICABLE MUST REMAIN WITHIN DIMENSIONS		SEE TABLE		SDA-70984-100				
		SIZE C		THIS DRAWING CONTAINS INFORMATION THAT IS PROPRIETARY TO MOLEX INCORPORATED AND SHOULD NOT BE USED WITHOUT WRITTEN PERMISSION				