



Distributor of Molex Connector Corporation: Excellent Integrated System Limited
Datasheet of 0716261007 - D-Sub Connector Receptacle, Female Sockets 160 Position Panel
Mount, Through Hole Solder

Contact us: sales@integrated-circuit.com Website: www.integrated-circuit.com

Excellent Integrated System Limited

Stocking Distributor

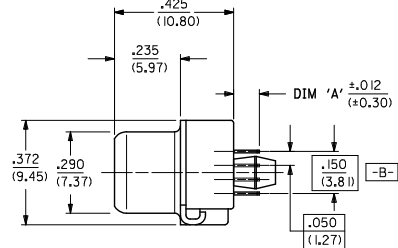
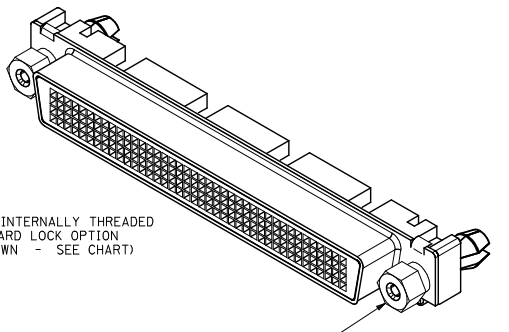
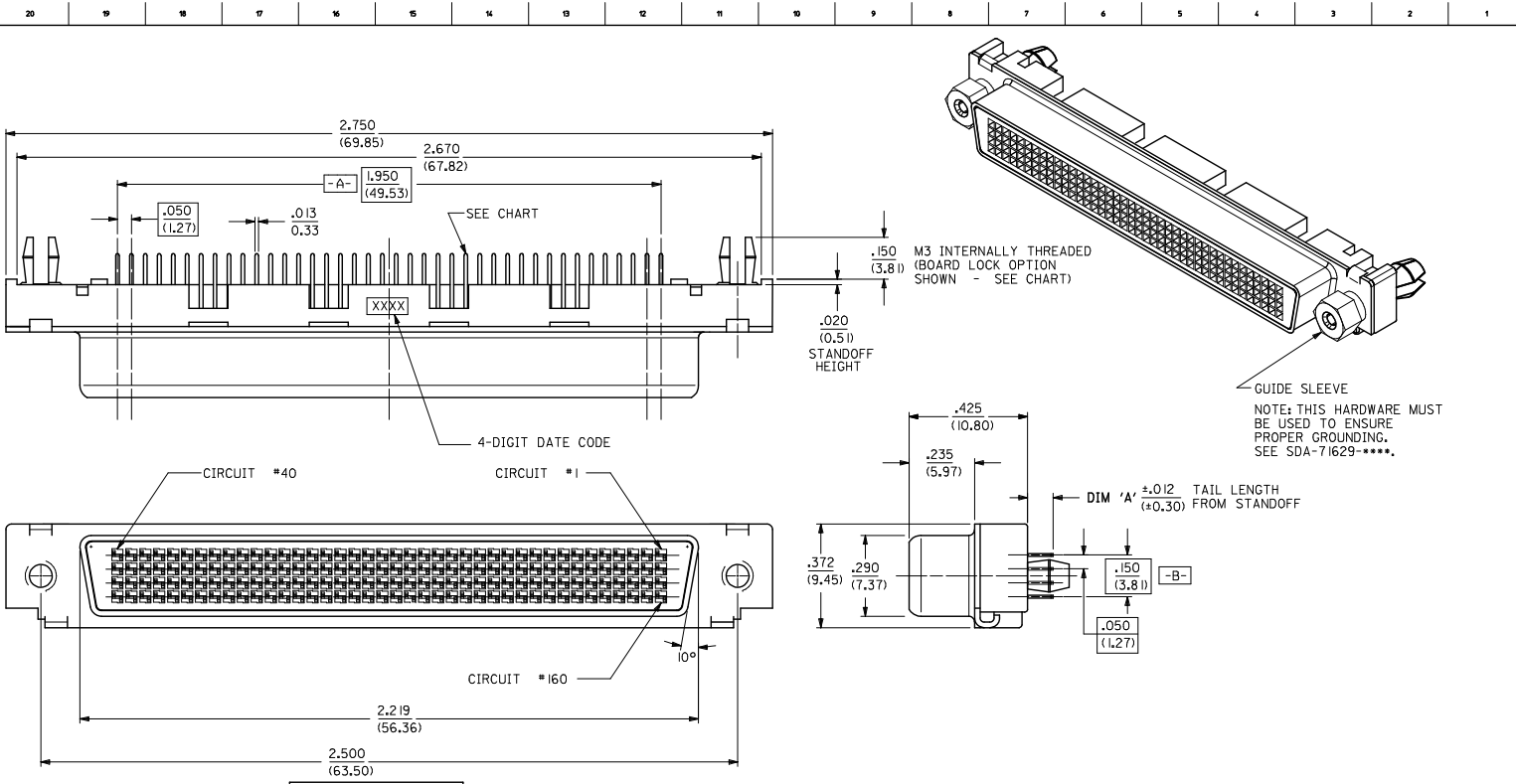
Click to view price, real time Inventory, Delivery & Lifecycle Information:

[Molex Connector Corporation](#)
[0716261007](#)

For any questions, you can email us directly:

sales@integrated-circuit.com

Contact us: sales@integrated-circuit.com Website: www.integrated-circuit.com



GUIDE SLEEVE
 NOTE: THIS HARDWARE MUST BE USED TO ENSURE PROPER GROUNDING. SEE SDA-71629-*****.

ENG. NUMBER	ITEM NUMBER	OPTIONS				PACKAGING SPEC.	TRUE-POSITION
		DIM 'A'	M3 INSERT	BOARDLOCK	BOARDLOCK		
A-71626-1000	051-24-1030	.092/(2,34)	YES	NO	PK-70873-297	±.005/(0.13) Ⓞ A B	
A-71626-1001	71626-1001	.092/(2,34)	YES	YES	PK-70873-297	±.005/(0.13) Ⓞ A B	
A-71626-1002	71626-1002	.092/(2,34)	NO	NO	PK-70873-297	±.005/(0.13) Ⓞ A B	
A-71626-1003	71626-1003	.125/(3,18)	YES	NO	PK-70873-297	±.005/(0.13) Ⓞ A B	
A-71626-1004	71626-1004	.125/(3,18)	YES	YES	PK-70873-297	±.005/(0.13) Ⓞ A B	
A-71626-1005	71626-1005	.125/(3,18)	NO	NO	PK-70873-297	±.005/(0.13) Ⓞ A B	
A-71626-1006	71626-1006	.177/(4,49)	YES	NO	PK-70873-1005	±.020/(0.51) Ⓞ A B	
A-71626-1007	71626-1007	.210/(5,33)	YES	NO	PK-70873-1005	±.020/(0.51) Ⓞ A B	

SEE SHEET 2 EC NO. 07200-0177 G DORNSUMMELEY 2009/07/28 CHK DORNGAN 2009/07/28 APPR SHILLER 2009/07/28 NEW	QUALITY SYMBOLS	GENERAL TOLERANCES (UNLESS SPECIFIED)	DIMENSION STYLE	SCALE	DESIGN UNITS	THIRD ANGLE PROJECTION	
	4 PLACES ±--- 3 PLACES ±--- 2 PLACES ±--- 1 PLACE ±---	mm INCH ---+--- ---+--- ---+--- ---+---	MM ONLY	DRAWN BY MOS CHECKED BY DATE APPROVED BY DATE MATERIAL NO. GF DOCUMENT NO. GF	1994/08/29	METRIC	1994/08/29 MOLEX INCORPORATED
	DRAFT WHERE APPLICABLE MUST REMAIN WITHIN DIMENSIONS		SEE TABLE	SDA-71626-1****	1 OF 2		
	THIS DRAWING CONTAINS INFORMATION THAT IS PROPRIETARY TO MOLEX INCORPORATED AND SHOULD NOT BE USED WITHOUT WRITTEN PERMISSION						

Contact us: sales@integrated-circuit.com Website: www.integrated-circuit.com

NOTES:

1) MATERIALS:

HOUSING: GLASS FILLED LCP (LIQUID CRYSTAL POLYMER), UL 94V-0, BLACK.
 MOLDED STICK: GLASS FILLED LCP (LIQUID CRYSTAL POLYMER), UL 94V-0, BLACK.
 FEMALE CONTACT: HIGH PERFORMANCE COPPER ALLOY
 OUTER SHELL: LOW CARBON STEEL.
 THREADED BOARD LOCK: BRASS.

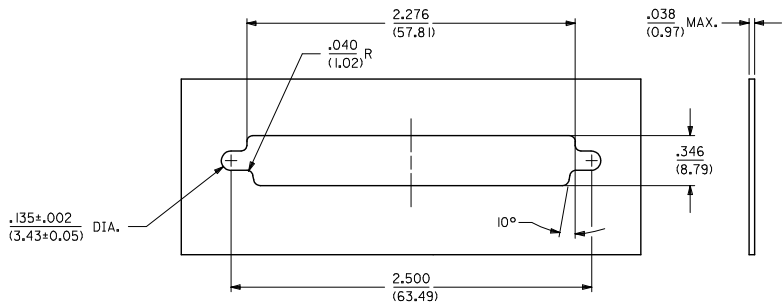
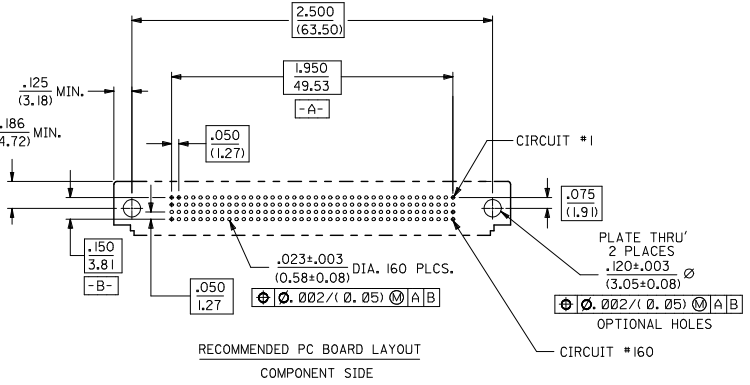
2) PLATING :

CONTACT: 30 microinches / 0.76 micrometer MIN. GOLD IN SELECTIVE AREA,
 100 microinches / 2.54 micrometers MIN. TIN SELECTIVE AREA,
 OVER NICKEL UNDERPLATE OVERALL.

OUTER SHELL: 100 microinches / 2.54 micrometers MINIMUM BRIGHT NICKEL;
 OVER COPPER FLASH (OPTIONAL).

BOARDLOCK: 150 microinches / 3.81 micrometers MINIMUM BRIGHT TIN,
 NICKEL UNDERPLATE.

- 3) THIS PART CONFORMS TO MOLEX PRODUCT SPECIFICATION PS-71626.
- 4) PART COMPLIES WITH CLASS B OF COSMETIC SPECIFICATION PS-45499-002.
- 5) PARTS PACKAGED PER PK-70873-0299.



PANEL CUT-OUT DIMENSIONS
 ALL TOLERANCES $\pm .003 / (0.08)$
 UNLESS OTHERWISE STATED.

REVISE NOTES IEC NO: UCF2010-0117 G DRWNS:DANIELLEY 2009/07/23 CHKD:JORGAN 2009/07/24 APPR:SMILLER 2009/07/24 REV DESCRIPTION	QUALITY SYMBOLS	GENERAL TOLERANCES (UNLESS SPECIFIED)	DIMENSION STYLE	SCALE	DESIGN UNITS	THIRD ANGLE PROJECTION
	$\nabla=0$ $\nabla=0$	4 PLACES \pm --- \pm --- 3 PLACES \pm --- \pm --- 2 PLACES \pm --- \pm --- 1 PLACE \pm --- \pm --- ANGULAR $\pm 1/2^\circ$	mm INCH DRAWN BY MOS DATE 1994/08/29 CHECKED BY DATE 1994/08/29 APPROVED BY GF DATE 1994/08/29	MM ONLY	METRIC	
	DRAFT WHERE APPLICABLE MUST REMAIN WITHIN DIMENSIONS	SEE TABLE	MATERIAL NO.	DOCUMENT NO.	TITLE .050 PITCH LFH 160 CKT VERTICAL I/O FEMALE SALES ASSEMBLY MOLEX INCORPORATED	
			SIZE C	THIS DRAWING CONTAINS INFORMATION THAT IS PROPRIETARY TO MOLEX INCORPORATED AND SHOULD NOT BE USED WITHOUT WRITTEN PERMISSION		SHEET NO. 2 OF 2