



Distributor of Molex Connector Corporation: Excellent Integrated System Limited
Datasheet of 0716264000 - D-Sub Connector Receptacle, Female Sockets 160 Position Panel
Mount, Through Hole, Right Angle Solder

Contact us: sales@integrated-circuit.com Website: www.integrated-circuit.com

Excellent Integrated System Limited

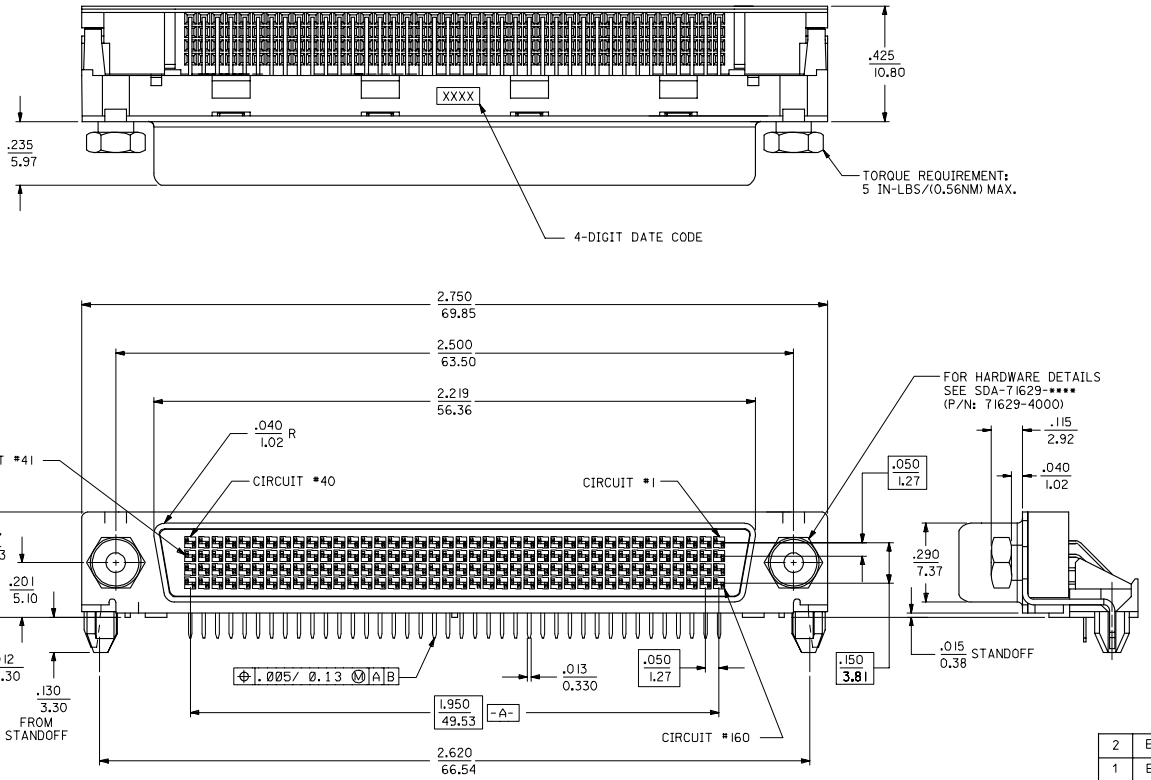
Stocking Distributor

Click to view price, real time Inventory, Delivery & Lifecycle Information:

[Molex Connector Corporation](#)
[0716264000](#)

For any questions, you can email us directly:
sales@integrated-circuit.com

Contact us: sales@integrated-circuit.com Website: www.integrated-circuit.com



ADD COSMETIC NOTE EC NO: UCP2006-3051 2006/07/10 CH KUBONGAN 2006/07/10 APPROX MILLER 2006/07/10 REV:	QUALITY SYMBOLS ▽=0 ∇=0	GENERAL TOLERANCES (UNLESS SPECIFIED)	DIMENSION STYLE IN/MM	SCALE 4:1	DESIGN UNITS INCH	THIRD ANGLE PROJECTION															
		<table border="1"> <tr> <th></th> <th>mm</th> <th>INCH</th> </tr> <tr> <td>4 PLACES</td> <td>±.005</td> <td>±.0005</td> </tr> <tr> <td>3 PLACES</td> <td>±.010</td> <td>±.0010</td> </tr> <tr> <td>2 PLACES</td> <td>±.025</td> <td>±.0025</td> </tr> <tr> <td>1 PLACE</td> <td>±.050</td> <td>±.0050</td> </tr> </table>		mm	INCH	4 PLACES	±.005	±.0005	3 PLACES	±.010	±.0010	2 PLACES	±.025	±.0025	1 PLACE	±.050	±.0050	DRAWN BY: SCHMIDGALL CHECKED BY: MOS APPROVED BY: GWF DATE: 1995/03/31	TITLE: .050 PITCH LFH 160 CKT. RIGHT ANGLE I/O FEMALE SALES ASSY W/HARDWARE	MATERIAL NO. MOLEX INCORPORATED	SHEET NO. 1 OF 2
		mm	INCH																		
	4 PLACES	±.005	±.0005																		
3 PLACES	±.010	±.0010																			
2 PLACES	±.025	±.0025																			
1 PLACE	±.050	±.0050																			
DRAFT WHERE APPLICABLE MUST REMAIN WITHIN DIMENSIONS	SEE TABLE SDA-71626-400*	THIS DRAWING CONTAINS INFORMATION THAT IS PROPRIETARY TO MOLEX INCORPORATED AND SHOULD NOT BE USED WITHOUT WRITTEN PERMISSION																			

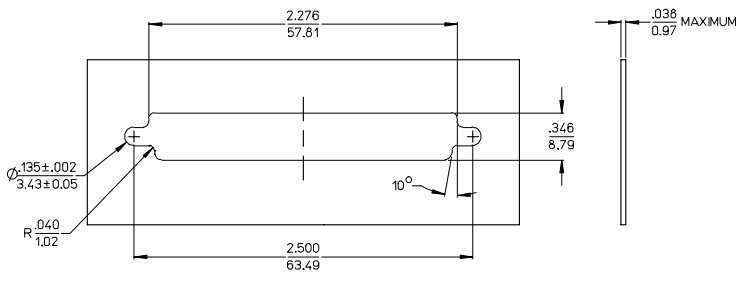
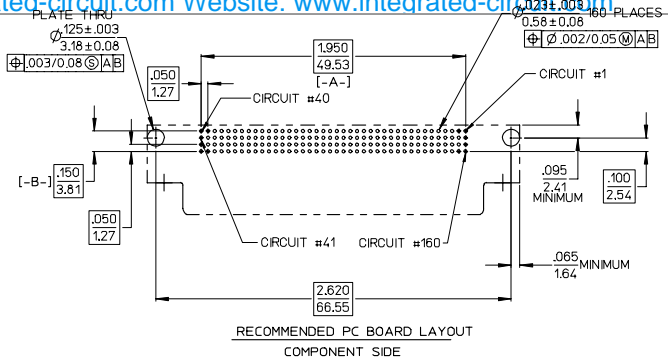
ITEM NUMBER	DESCRIPTION
71626-4000	GUIDE HARDWARE ATTACHED

lb_frame_C_P_ME_T
Rev. D 2004/04/02

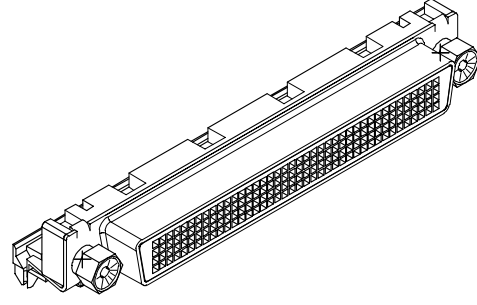
Contact us: sales@integrated-circuit.com Website: www.integrated-circuit.com

NOTES:

- 1) MATERIALS:
HOUSING: LIQUID CRYSTAL POLYMER, 30% GLASS FILLED, 94V-0, BLACK
TAIL ALIGNER: LIQUID CRYSTAL POLYMER, 30% GLASS FILLED, 94V-0, BLACK
MOLDED STICK: LIQUID CRYSTAL POLYMER, 30% GLASS FILLED, 94V-0, BLACK
FEMALE CONTACT: BERYLLIUM COPPER, .0100±.0005/0.254±.013
OUTER SHELL: LOW CARBON STEEL
THREADED INSERT: BRASS
- 2) PLATING:
CONTACT: 30 MICRONS/0.76 MICROMETERS MINIMUM GOLD
OVER 50 MICRONS/1.27 MICROMETERS MINIMUM NICKEL
IN CONTACT AREA
100 MICRONS/2.54 MICROMETERS MINIMUM PURE TIN (MATTI FINISH)
ON TAIL SECTION, OVER 50 MICRONS/1.27 MICROMETERS MINIMUM
NICKEL OVERALL
- OUTER SHELL: 150-250 MICRONS/3.81-6.35 MICROMETERS BRIGHT TIN OVER
50-150 MICRONS/1.27-3.81 MICROMETERS NICKEL OVER COPPER
FLASH OVERALL (OPTIONAL)
- 3) THIS PART CONFORMS TO MOLEX PRODUCT SPECIFICATION PS-71626.
- 4) PACKAGING SPECIFICATION PK-70873-0299 APPLIES.
- 5) PART COMPLES WITH CLASS B OF COSMETIC SPECIFICATION PS-45499-002



PANEL CUT-OUT DIMENSIONS
ALL TOLERANCES ±.003/0.08
UNLESS OTHERWISE STATED.



CONVERT TO METRIC EC NO: UCP2006-5051 DRAWN BY: CHIKKIDRANGAN APPR: MILLER DATE: 2006/07/10 DATE: 2006/07/11	QUALITY SYMBOLS ▽=0 ▽=0	GENERAL TOLERANCES (UNLESS SPECIFIED)		DIMENSION STYLE IN/MM	SCALE 2:1	DESIGN UNITS INCH	THIRD ANGLE PROJECTION
		4 PLACES ±.010 ±.010 3 PLACES ±.010 ±.010 2 PLACES ±.025 ±.025 1 PLACE ±.050 ±.050	DRAWN BY: SCHMIDGALL CHECKED BY: MOS APPROVED BY: GWF DATE: 1995/03/31 DATE: 1995/03/31 DATE: 1995/03/31	TITLE .050 PITCH LFH 160 CKT. RIGHT ANGLE I/O FEMALE SALES ASSY W/HARDWARE	MATERIAL NO. SEE TABLE	DOCUMENT NO. SDA-71626-400*	SHEET NO. 2 OF 2
DRAFT WHERE APPLICABLE MUST REMAIN WITHIN DIMENSIONS		THIS DRAWING CONTAINS INFORMATION THAT IS PROPRIETARY TO MOLEX INCORPORATED AND SHOULD NOT BE USED WITHOUT WRITTEN PERMISSION					