

Excellent Integrated System Limited

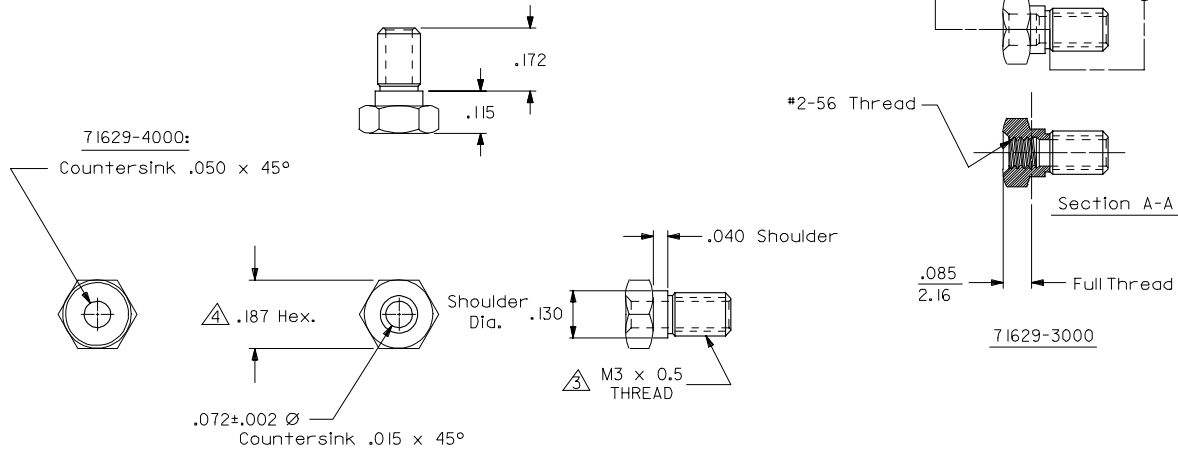
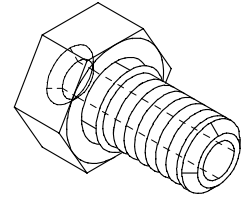
Stocking Distributor

Click to view price, real time Inventory, Delivery & Lifecycle Information:

[Molex Connector Corporation](#)
[0716293000](#)

For any questions, you can email us directly:
sales@integrated-circuit.com

ENGINEERING NO.	PART NO.	DESCRIPTION
71629-3000	71629-3000	INTERNAL THREADS
71629-4000	71629-4000	LEAD-IN COUNTERSINK



- NOTES:
1. MATERIAL: COLD DRAWN STEEL.
 2. FINISH: NICKEL PLATED.
 3. MAXIMUM APPLIED BODY TORQUE: 5 IN.-LBS.
 4. SOCKET SIZE: 3/16 IN.
 5. TO BE BULK PACKED IN A BAG WITH A QUANTITY OF 500 PARTS PER BAG

ADD NOTE 5 EC NO. UCP2008-0088 TIDIRNINISBARRA 2007/07/06 CHYK-DINGGAN 2007/08/06 APPR: SHILLER 2007/08/06	QUALITY SYMBOLS	GENERAL TOLERANCES (UNLESS SPECIFIED)	DIMENSION STYLE INCH ONLY	SCALE 4:1	DESIGN UNITS INCH	THIRD ANGLE PROJECTION
	▽=0	4 PLACES ± .005	mm INCH	DRAWN BY MOS	DATE 1993/03/11	TITLE
	▽=0	3 PLACES ± .010		CHECKED BY BIXLER	DATE 1993/03/11	GUIDE SLEEVE LFH CONNECTOR SYSTEM
		2 PLACES ± .010		APPROVED BY BIXLER	DATE 1993/03/11	MATERIAL NO. SEE TABLE
	1 PLACE ± .010	ANGULAR ± 1/2°			DOCUMENT NO. SDA-71629-****	SHEET NO. 1 OF 1
		DRAFT WHERE APPLICABLE MUST REMAIN WITHIN DIMENSIONS	SIZE B	THIS DRAWING CONTAINS INFORMATION THAT IS PROPRIETARY TO MOLEX INCORPORATED AND SHOULD NOT BE USED WITHOUT WRITTEN PERMISSION		