

## Excellent Integrated System Limited

Stocking Distributor

Click to view price, real time Inventory, Delivery & Lifecycle Information:

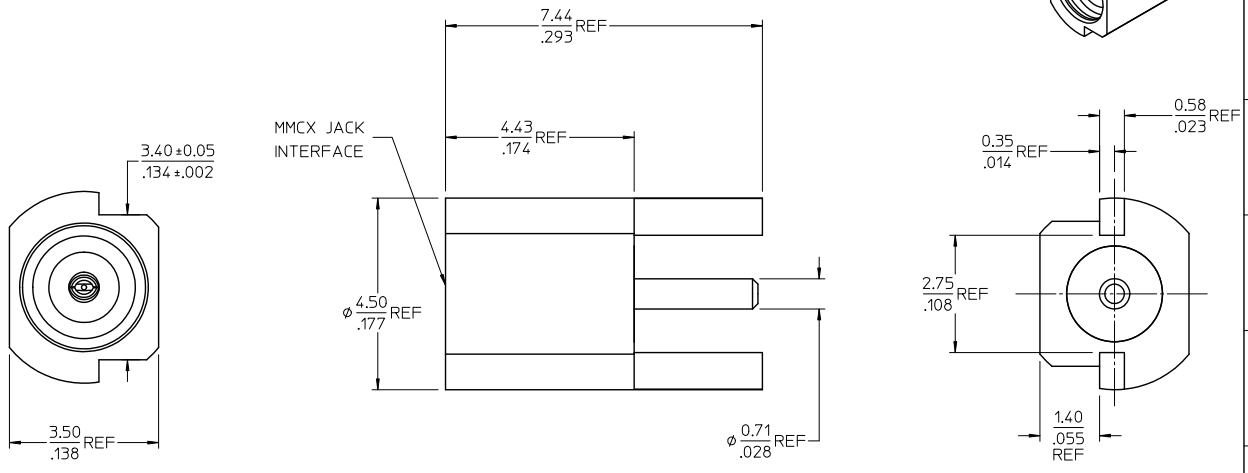
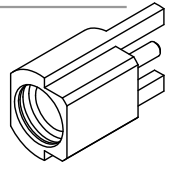
[Molex Connector Corporation](#)  
[0734150962](#)

For any questions, you can email us directly:

[sales@integrated-circuit.com](mailto:sales@integrated-circuit.com)

MATERIALS AND FINISHES:

- BODY BRASS  
PLATED GOLD
- CONTACT BERYLLIUM COPPER  
PLATED GOLD
- INSULATOR TEFLON

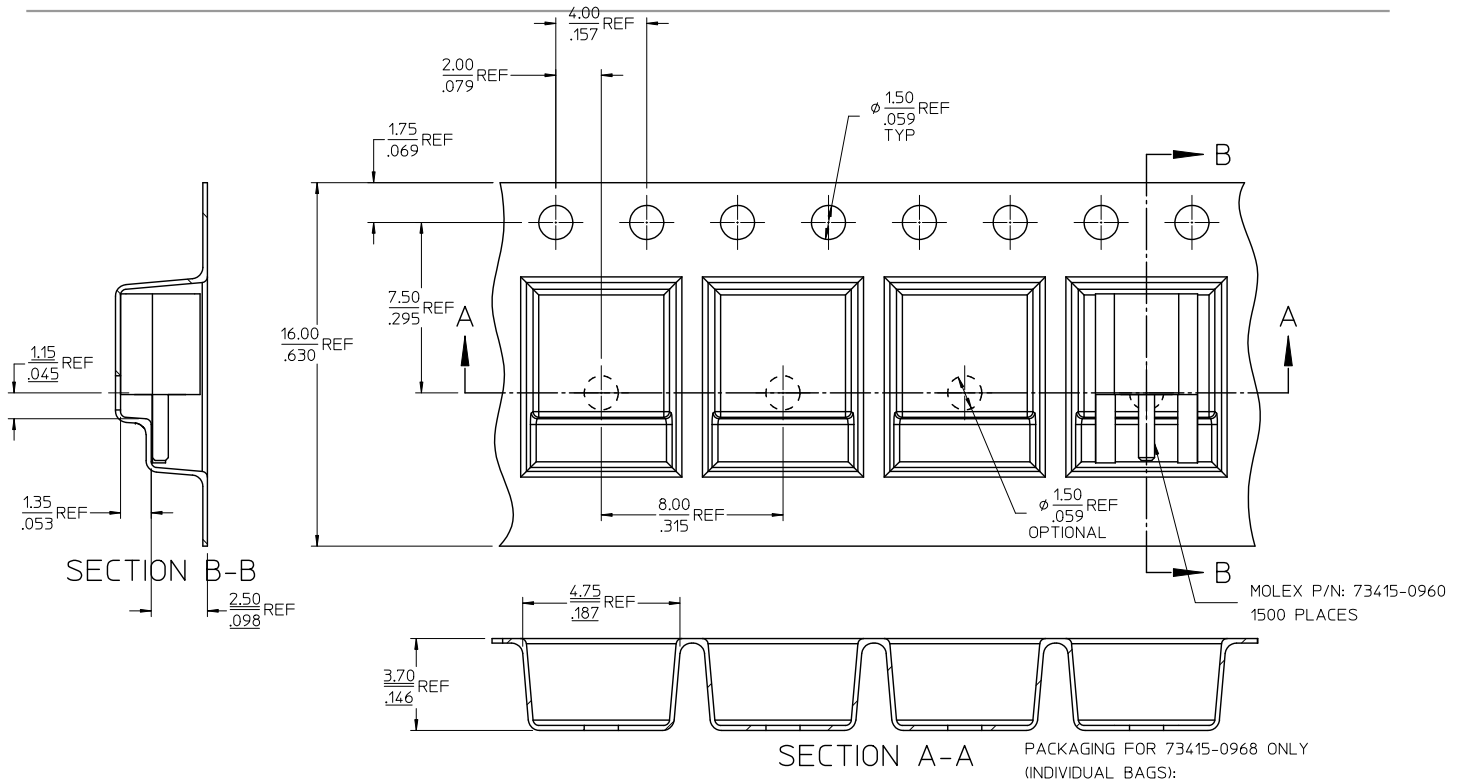


FOR PCB LAYOUT SEE SHEET 4 REEL SIZE FOR TAPE AND REEL: 1500 PIECES

73415-0969	PER COMMERCIAL REQUIREMENTS	ONE PIECE PER BAG OF 73415-0961
73415-0968	PER COMMERCIAL REQUIREMENTS	INDIVIDUAL BAGS -- SEE SHEET 2
73415-0967	PER MILITARY REQUIREMENTS	LEADS ORIENTED OPPOSITE FEED HOLES WITHOUT LABEL
73415-0966	PER COMMERCIAL REQUIREMENTS	LEADS ORIENTED TOWARDS FEED HOLES WITHOUT LABEL
73415-0965	PER COMMERCIAL REQUIREMENTS	LEADS ORIENTED OPPOSITE FEED HOLES
73415-0964	PER MILITARY REQUIREMENTS	LEADS ORIENTED TOWARDS FEED HOLES
73415-0963	PER COMMERCIAL REQUIREMENTS	LEADS ORIENTED TOWARDS FEED HOLES
73415-0962	PER MILITARY REQUIREMENTS	LEADS ORIENTED OPPOSITE FEED HOLES
CECC-22-340	INTERFACE	73415-0961
PS-89675-1920	ELECTRO/MECH PERFORMANCE	73415-0960
SPECIFICATION	DESCRIPTION	PART NUMBER
		GOLD PLATING
		PACKAGING

CHG: ADD -0969 PACKING FOR -0960/0961 WAS SINGLE BAGS REC NO: URF2012-0471 2012/02/10 DRAWN: JWIENER CHKD: SSS APPR: JWIENER 2012/02/10 F5 REV	QUALITY SYMBOLS ▽=0 ▽=0	GENERAL TOLERANCES (UNLESS SPECIFIED)		DIMENSION STYLE		SCALE	DESIGN UNITS	THIRD ANGLE PROJECTION
		mm	INCH	MM/IN	METRIC			
		4 PLACES ±	±	DATE	DATE			
		3 PLACES ±	±	DATE	DATE			
ANGULAR ± 2 °		APPROVED BY		DATE	TITLE			
DRAFT WHERE APPLICABLE MUST REMAIN WITHIN DIMENSIONS		JWIENER		2010/02/24	MMCX JACK PCB EDGE MOUNT 50 OHM MMCX-J/PCB			
SIZE		MATERIAL NO.		DOCUMENT NO.	SHEET NO.			
C				SD-73415-096	1 OF 4			
THIS DRAWING CONTAINS INFORMATION THAT IS PROPRIETARY TO MOLEX INCORPORATED AND SHOULD NOT BE USED WITHOUT WRITTEN PERMISSION								

13 12 11 10 9 8 7 6 5 4 3 2 1

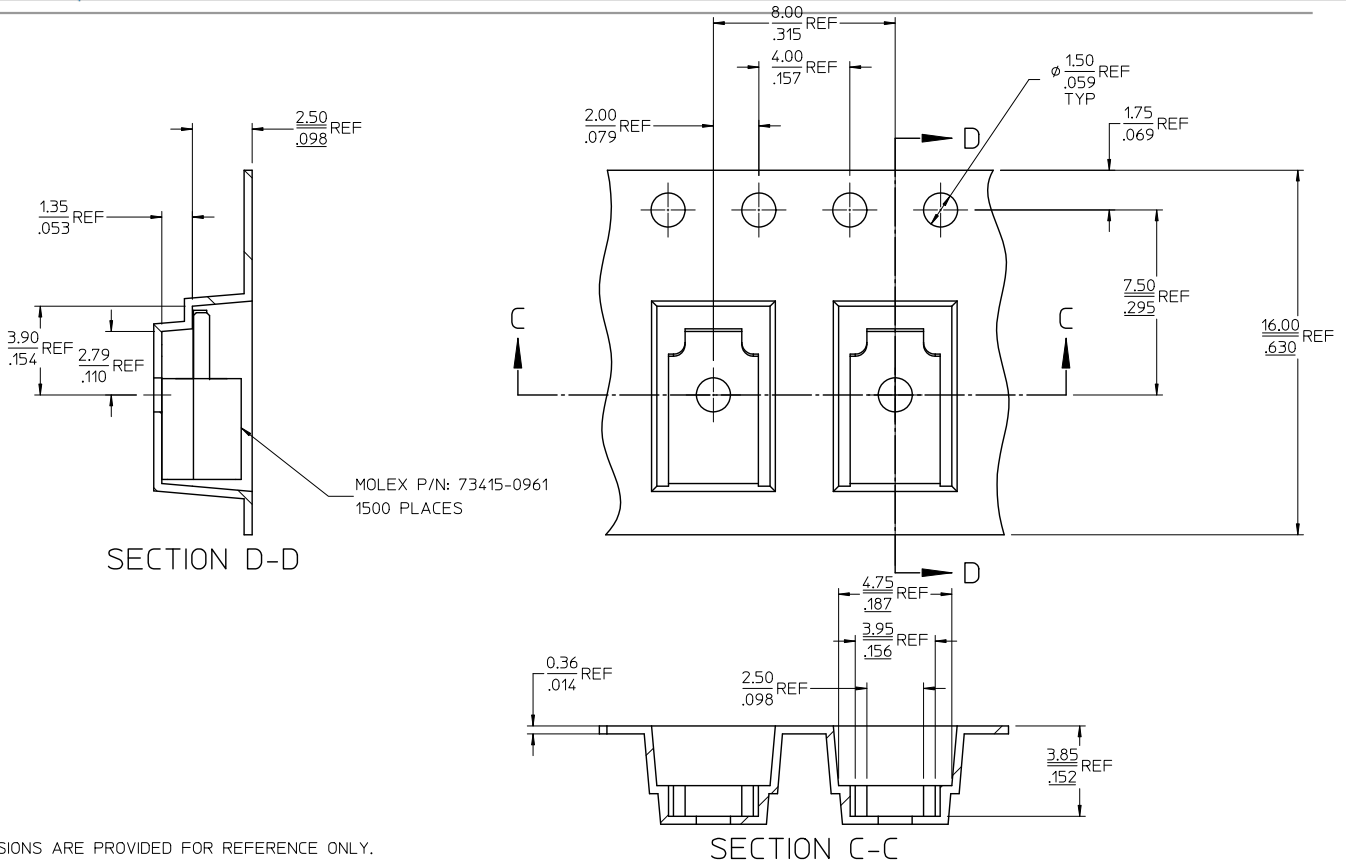


NOTE:  
1. DIMENSIONS ARE PROVIDED FOR REFERENCE ONLY.  
PART # 73415-0962/73415-065/73415-0967

1. PASTE COLOR LABEL OFFERED BY CUSTOMER ON EVERY POLYBAG SHOWING QTY, CUSTOMER P/N:- K00G0027  
2. PASTE COLOR LABEL ON MASTER CARTON SHOWING P/N & QTY.

CHG: SEE SHEET 1 EC NO: URF2012-0471 DRAWN: JWENER 2012/02/10 CHKD:SSS 2012/02/10 APPR: JWENER 2012/02/10	QUALITY SYMBOLS ▽=0 ▽=0	GENERAL TOLERANCES (UNLESS SPECIFIED)		DIMENSION STYLE		SCALE	DESIGN UNITS	THIRD ANGLE PROJECTION	
		mm	INCH	MM/IN			METRIC		
		4 PLACES ±	±	DRAWN BY	DATE	TITLE			
		3 PLACES ±	±	EDC	1999/02/15	MMCX JACK PCB EDGE MOUNT			
		2 PLACES ±	±	CHECKED BY	DATE	50 OHM			
		1 PLACE ±	±	DHG	1999/02/15	MMCX-J/PCB			
		ANGULAR ± 2°		APPROVED BY	DATE	MOLEX INCORPORATED			
		DRAFT WHERE APPLICABLE MUST REMAIN WITHIN DIMENSIONS		JWENER	2010/02/24	MOLEX INCORPORATED			
		SIZE		MATERIAL NO.		DOCUMENT NO.	SHEET NO.		
		C		SEE SHEET 1		SD-73415-096	2 OF 4		
THIS DRAWING CONTAINS INFORMATION THAT IS PROPRIETARY TO MOLEX INCORPORATED AND SHOULD NOT BE USED WITHOUT WRITTEN PERMISSION									

1b\_frame\_C.P.AM.T Rev. D 2004/06/28 12 11 10 9 8 7 6 5 4 3 2 1

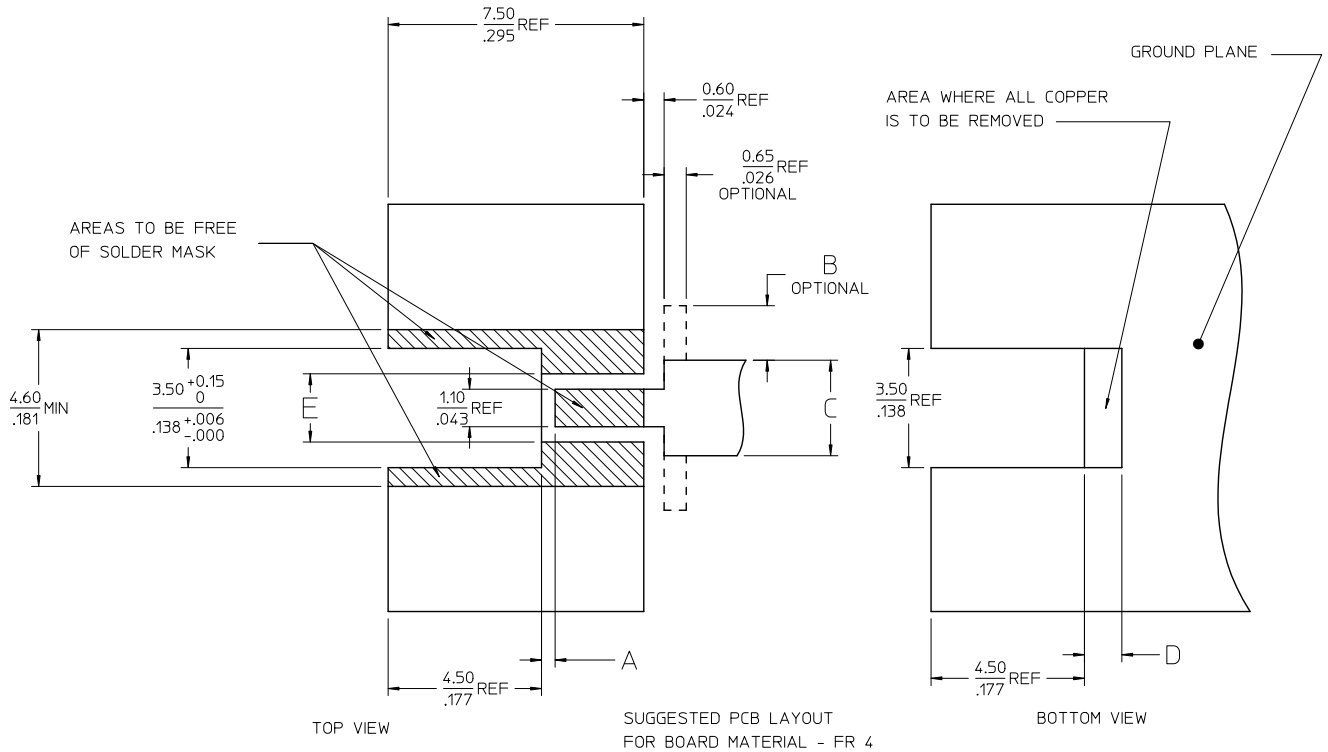


NOTES:

1. DIMENSIONS ARE PROVIDED FOR REFERENCE ONLY.

PART # 73415-0963/73415-0964/73415-0966

CHG: SEE SHEET 1 EC NO: UNF2012-0471 DRAWN: JWENER 2012/02/10 CHKD:SSS 2012/02/10 APPR: JWENER 2012/02/10 F5	QUALITY SYMBOLS ▽=0 ▽=0	GENERAL TOLERANCES (UNLESS SPECIFIED)		DIMENSION STYLE MM/IN		SCALE	DESIGN UNITS	THIRD ANGLE PROJECTION
		mm	INCH	DRAWN BY	DATE	METRIC	M	THIRD ANGLE PROJECTION
		4 PLACES ±	±	EDC	1999/02/15			
		3 PLACES ±	±	CHECKED BY	DATE	TITLE MMCX JACK PCB EDGE MOUNT 50 OHM MMCX-J/PCB		
2 PLACES ±	±	DHG	1999/02/15	MATERIAL NO. SEE SHEET 1		MOLEX INCORPORATED		
1 PLACE ±	±	APPROVED BY	DATE	DOCUMENT NO. SD-73415-096		SHEET NO. 3 OF 4		
ANGULAR ± 2°		DRAFT WHERE APPLICABLE MUST REMAIN WITHIN DIMENSIONS		SIZE C		THIS DRAWING CONTAINS INFORMATION THAT IS PROPRIETARY TO MOLEX INCORPORATED AND SHOULD NOT BE USED WITHOUT WRITTEN PERMISSION		



0.80 MM / .031 INCHES	.039 REF	1.00 REF	-----	-----	.055 REF	1.40 REF	.043 REF	1.10 REF	.071 REF	1.80 REF
1.00 MM / .039 INCHES	.035 REF	0.90 REF	.012 REF	0.30 REF	.071 REF	1.80 REF	.047 REF	1.20 REF	.065 REF	1.64 REF
1.60 MM / .063 INCHES	.016 REF	0.40 REF	.063 REF	1.60 REF	.110 REF	2.80 REF	.091 REF	2.30 REF	.059 REF	1.50 REF
PCB THICKNESS	IN	MM	IN	MM	IN	MM	IN	MM	IN	MM
	A		B		C		D		E	

CHG: SEE SHEET 1 EC NO: UNF2012-0471 DRAWN: JWIENER CHKD: SSS APPR: JWIENER F5	QUALITY SYMBOLS ▽=0 ▽=0	GENERAL TOLERANCES (UNLESS SPECIFIED)		DIMENSION STYLE		SCALE	DESIGN UNITS	THIRD ANGLE PROJECTION
		mm	INCH	MM/IN				
		4 PLACES ±	±	DATE	TITLE			
		3 PLACES ±	±	DATE	MMCX JACK PCB EDGE MOUNT			
2 PLACES ±	±	DATE	50 OHM					
1 PLACE ±	±	DATE	MMCX-J/PCB					
ANGULAR ± 2°		APPROVED BY		DATE		MOLEX INCORPORATED		
DRAFT WHERE APPLICABLE MUST REMAIN WITHIN DIMENSIONS		MATERIAL NO.		DOCUMENT NO.		SHEET NO.		
		SEE SHEET 1		SD-73415-096		4 OF 4		
THIS DRAWING CONTAINS INFORMATION THAT IS PROPRIETARY TO MOLEX INCORPORATED AND SHOULD NOT BE USED WITHOUT WRITTEN PERMISSION								