

## Excellent Integrated System Limited

Stocking Distributor

Click to view price, real time Inventory, Delivery & Lifecycle Information:

[Molex Connector Corporation](#)  
[0734151561](#)

For any questions, you can email us directly:

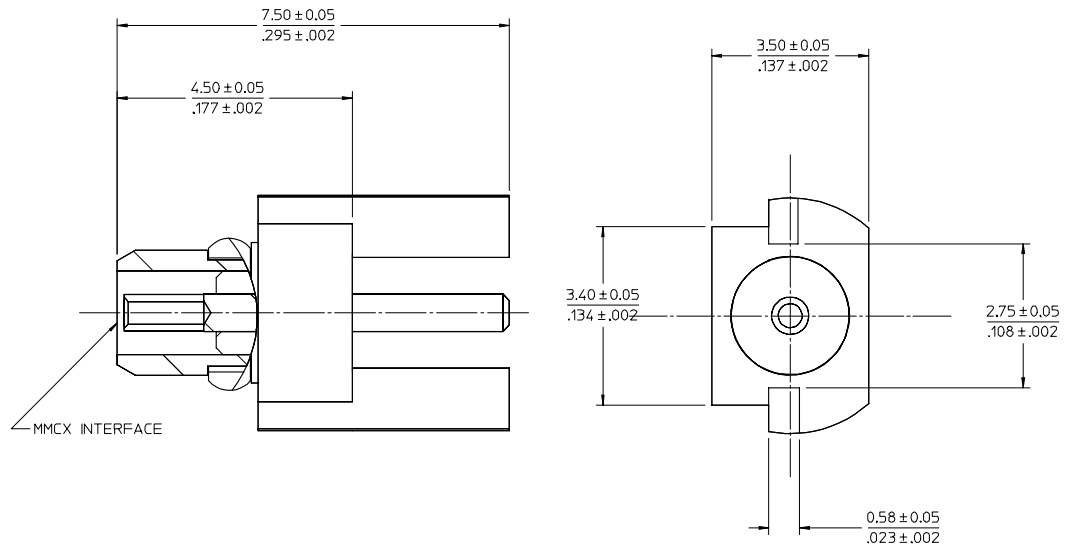
[sales@integrated-circuit.com](mailto:sales@integrated-circuit.com)

MATERIALS AND FINISHES

BODY, BRASS  
PLATED GOLD

CENTER CONTACT, BERYLLIUM COPPER  
PLATED GOLD

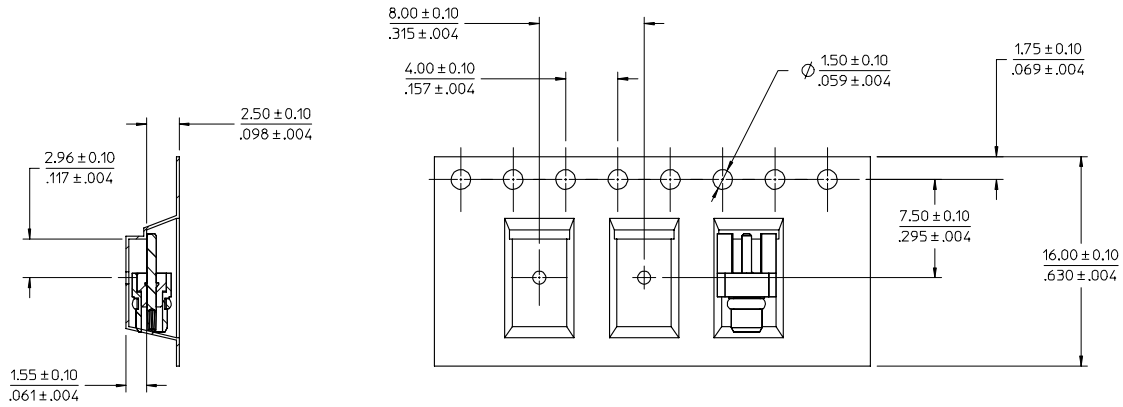
INSULATOR, TEFLON



- 73415-1563 COMMERCIAL REQUIREMENTS PACKAGING WITH BAGS AND PROVIDE CUSTOMER P/N ON CARTON AND INNER PACKAGING
- 73415-1562 COMMERCIAL REQUIREMENTS PACKAGING WITH TAPE&REEL
- 73415-1561 COMMERCIAL REQUIREMENTS PACKAGING WITH BAGS
- 73415-1560 MILITARY REQUIREMENTS PACKAGEING WITH BAGS

PRODUCT SPECIFICATION PS-89675-1910  
ELECTRO/MECH PERFORMANCE

ADD PART NO 734151563 AND LAYOUT BY NO 044-2008-0186 DRAWN: JTSAO 2006/03/27 CHECKED: CHICKEN 2006/03/27 APPROVED: APPEHLUNG 2006/03/28 REV:	QUALITY SYMBOLS	GENERAL TOLERANCES (UNLESS SPECIFIED) <table border="1"> <tr> <td></td> <td>mm</td> <td>INCH</td> </tr> <tr> <td>4 PLACES</td> <td>±---</td> <td>±---</td> </tr> <tr> <td>3 PLACES</td> <td>±---</td> <td>±---</td> </tr> <tr> <td>2 PLACES</td> <td>±0.05</td> <td>±---</td> </tr> <tr> <td>1 PLACE</td> <td>±0.1</td> <td>±---</td> </tr> </table> ANGULAR ± 2° DRAFT WHERE APPLICABLE MUST REMAIN WITHIN DIMENSIONS		mm	INCH	4 PLACES	±---	±---	3 PLACES	±---	±---	2 PLACES	±0.05	±---	1 PLACE	±0.1	±---	DIMENSION STYLE MM/IN DRAWN BY: LYNN DATE: 2000/03/01 CHECKED BY: JOHNSON DATE: 2000/03/01 APPROVED BY: MISEN DATE: 2000/03/01	SCALE DESIGN UNITS METRIC THIRD ANGLE PROJECTION	TITLE MMCX PLUG REVERSE PLUG PCB TYPE MMCX-P/PCB MOLEX INCORPORATED	MATERIAL NO. SEE TABLE	DOCUMENT NO. SD-73415-156	SHEET NO. 1 OF 2
			mm	INCH																			
	4 PLACES		±---	±---																			
	3 PLACES		±---	±---																			
2 PLACES	±0.05	±---																					
1 PLACE	±0.1	±---																					
▼=0 ▽=0	THIS DRAWING CONTAINS INFORMATION THAT IS PROPRIETARY TO MOLEX INCORPORATED AND SHOULD NOT BE USED WITHOUT WRITTEN PERMISSION	MOLEX	MOLEX INCORPORATED	MOLEX INCORPORATED	MOLEX INCORPORATED	MOLEX INCORPORATED	MOLEX INCORPORATED	MOLEX INCORPORATED															



1. DIMENSIONS ARE PROVIDED FOR REFERENCE  
PART NO: 73415-1562

SEE SHEET 1 EC NO. IRF-2006-04-06 2006/03/24 DRAWN: JTSAO 2006/03/27 CHECKED: APPROVED: 2006/03/28	QUALITY SYMBOLS ▽=0 ▽=0	GENERAL TOLERANCES (UNLESS SPECIFIED)		DIMENSION STYLE MM/IN		SCALE 1:1	DESIGN UNITS METRIC	THIRD ANGLE PROJECTION
		4 PLACES ± --- ± --- 3 PLACES ± --- ± --- 2 PLACES ± 0.05 ± --- 1 PLACE ± 0.1 ± ---	mm INCH --- --- --- --- --- --- --- ---	DRAWN BY LYNN DATE 2000/03/01	CHECKED BY JOHNSON DATE 2000/03/01	APPROVED BY MISEN DATE 2000/03/01	MATERIAL NO. SEE SHEET 1	DOCUMENT NO. SD-73415-156
DRAFT WHERE APPLICABLE MUST REMAIN WITHIN DIMENSIONS		MOLEX MOLEX INCORPORATED						
SIZE 1 THIS DRAWING CONTAINS INFORMATION THAT IS PROPRIETARY TO MOLEX INCORPORATED AND SHOULD NOT BE USED WITHOUT WRITTEN PERMISSION								