

Excellent Integrated System Limited

Stocking Distributor

Click to view price, real time Inventory, Delivery & Lifecycle Information:

[Molex Connector Corporation](#)
[0734152131](#)

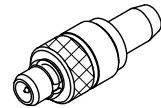
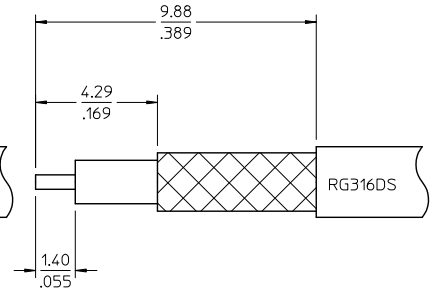
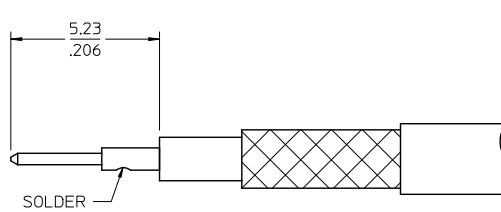
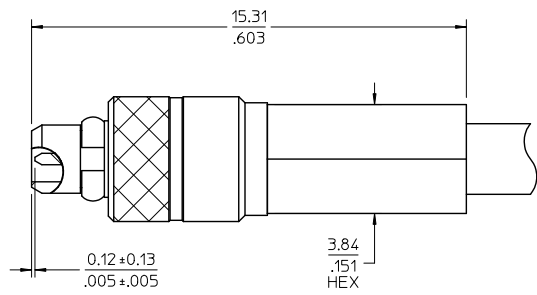
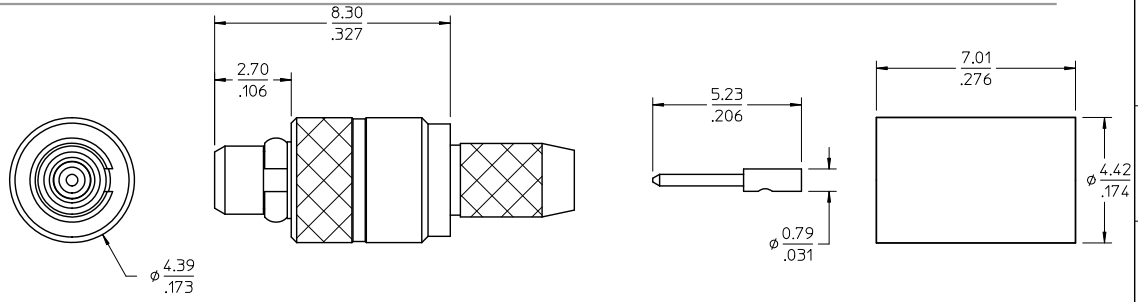
For any questions, you can email us directly:
sales@integrated-circuit.com

MATERIALS AND FINISHES

BODY, CONTACT, CRIMP TUBE: BRASS
PLATED GOLD

RING: BERYLLIUM COPPER
PLATED GOLD

INSULATOR: TEFLON



73415-2132	COMMERCIAL REQS	1 PIECE 73415-2131 IN SINGLE BAG WITH LABEL
73415-2131	COMMERCIAL REQS	STANDARD
73415-2130	PER MILITARY REQS	STANDARD
PART NO.	FINISH	PACKAGING

PS-89675-1920	PRODUCT SPECIFICATION
CECC-22-340	INTERFACE
SPECIFICATION	DESCRIPTION
DIMENSION STYLE MM/IN	SCALE METRIC
DESIGN UNITS METRIC	THIRD ANGLE PROJECTION
DRAWN BY: AROBERTSON DATE: 2011/04/04	
CHECKED BY: SSS DATE: 2011/04/04	
APPROVED BY: JWIENER DATE: 2011/04/15	
MATERIAL NO.	DOCUMENT NO.
SEE TABLE	SD-73415-213
SHEET NO. 1 OF 1	

CHG: REDREW IN SD.
ADDED -2132 FOR
SINGLE BAG OPTION
ADDED CABLE ASSY
INSTRUCTIONS.

EC NO: URF2011-0576
DRAWN: AROBERTSON 2011/04/04
CHKD: SSS 2011/04/04
APPR: JWIENER 2011/04/15

QUALITY SYMBOLS
▽=0
▽=0

DESCRIPTION
A2

GENERAL TOLERANCES (UNLESS SPECIFIED)	
mm	INCH
4 PLACES ± .005	± .0004
3 PLACES ± .005	± .0004
2 PLACES ± .005	± .0004
1 PLACE ± .005	± .0004
ANGULAR ± 2 °	

DRAFT WHERE APPLICABLE
MUST REMAIN
WITHIN DIMENSIONS