

Excellent Integrated System Limited

Stocking Distributor

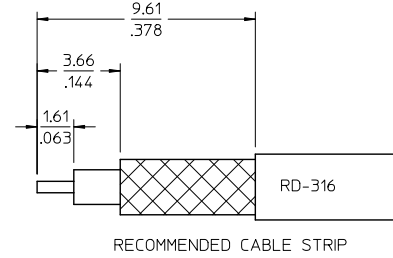
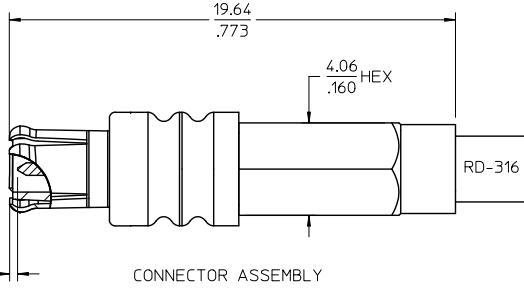
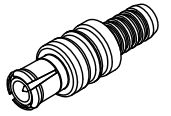
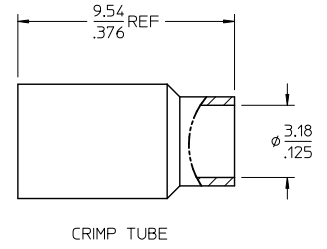
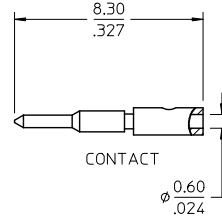
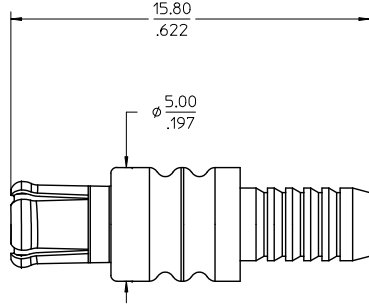
Click to view price, real time Inventory, Delivery & Lifecycle Information:

[Molex Connector Corporation](#)
[0734152240](#)

For any questions, you can email us directly:
sales@integrated-circuit.com

MATERIALS AND FINISHES

- BODY: ZINC ALLOY
PLATED SEE TABLE
- OUTER CONTACT: BERYLLIUM COPPER
PLATED SEE TABLE
- CENTER CONTACT: BRASS
PLATED GOLD
- CRIMP TUBE: BRASS
PLATED NICKEL
- INSULATOR: TEFLON



4	73415-2243	GENERAL, BODY (NICKEL), OC (NICKEL)
3	73415-2242	GENERAL, BODY (NICKEL), OC (GOLD)
2	73415-2241	SMALL TRAY BODY (GOLD), OC (GOLD)
1	73415-2240	GENERAL, BODY (GOLD), OC (GOLD)
	PART NO.	PACKAGING / PLATING

CECC-22-220	INTERFACE MCX
PS-89675-1830	ELEC/MECH PERFORMANCE
SPECIFICATION	DESCRIPTION

CHG. UPDATE STRIPS EC NO: URF2012-0589 DRAWN: JWIENER 2012/04/09 CHECKED: SSS 2012/04/09 APPR: JWIENER 2012/04/09	QUALITY SYMBOLS ▽=0 ▽=0	GENERAL TOLERANCES (UNLESS SPECIFIED)		DIMENSION STYLE	SCALE	DESIGN UNITS	THIRD ANGLE PROJECTION	
				MM/IN		METRIC		
		4 PLACES ± --- ± ---		DATE	TITLE			
		3 PLACES ± --- ± ---		DATE	MCX PLUG STR RD316			
2 PLACES ± --- ± ---		DATE	50 OHM					
1 PLACE ± --- ± ---		DATE	MCX-PC					
ANGULAR ± 2 °		APPROVED BY		DATE		MOLEX INCORPORATED		
DRAFT WHERE APPLICABLE MUST REMAIN WITHIN DIMENSIONS		MATERIAL NO.		DOCUMENT NO.		SHEET NO.		
		SEE TABLE		SD-73415-224		1 OF 1		
THIS DRAWING CONTAINS INFORMATION THAT IS PROPRIETARY TO MOLEX INCORPORATED AND SHOULD NOT BE USED WITHOUT WRITTEN PERMISSION								