

Excellent Integrated System Limited

Stocking Distributor

Click to view price, real time Inventory, Delivery & Lifecycle Information:

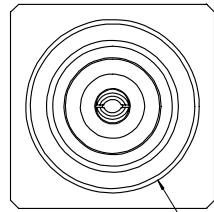
[Molex Connector Corporation](#)
[0734154500](#)

For any questions, you can email us directly:

sales@integrated-circuit.com

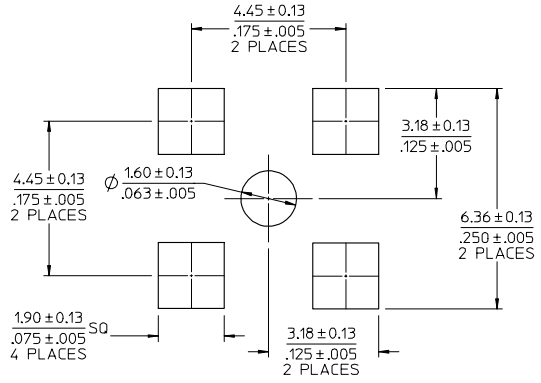
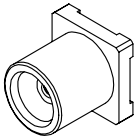
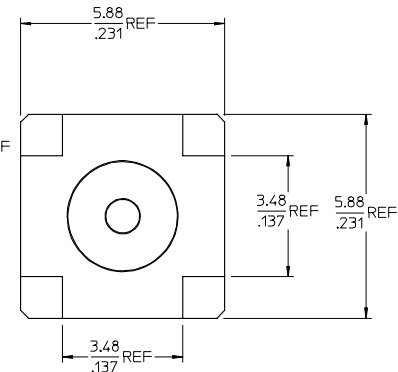
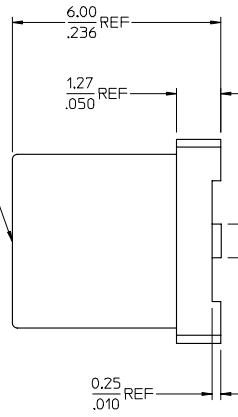
MATERIALS AND FINISHES

- J BODY BRASS
PLATED GOLD
- I CENTER CONTACT PHOSPHOR BRONZE
PLATED GOLD
- H INSULATOR TEFLON
- G TAPE MOUNTING: SEE SHEET 2
- F P/N: 73415-4500:
PACKAGED WITH KAPTON TAPE
- E P/N: 73415-4502:
PACKAGED WITHOUT KAPTON TAPE



MCX JACK
INTERFACE

Ø 5.00
.197



RECOMMENDED MOUNTING PATTERN

PS-89675-1910	ELECTRO/MECH PERFORM.
SPECIFICATION	DESCRIPTION

CHG: MATERIAL WAS
 BEFOLLOUING COPPER
 ON CENTER CONTACT

EIC NO: URFZ2006-0267 2005/12/15
 DRW: ARBERTSON 2005/12/15
 CHKD: 2005/12/15
 APPR: WIENER 2005/12/15

QUALITY SYMBOLS
 ▽=0
 ∇=0

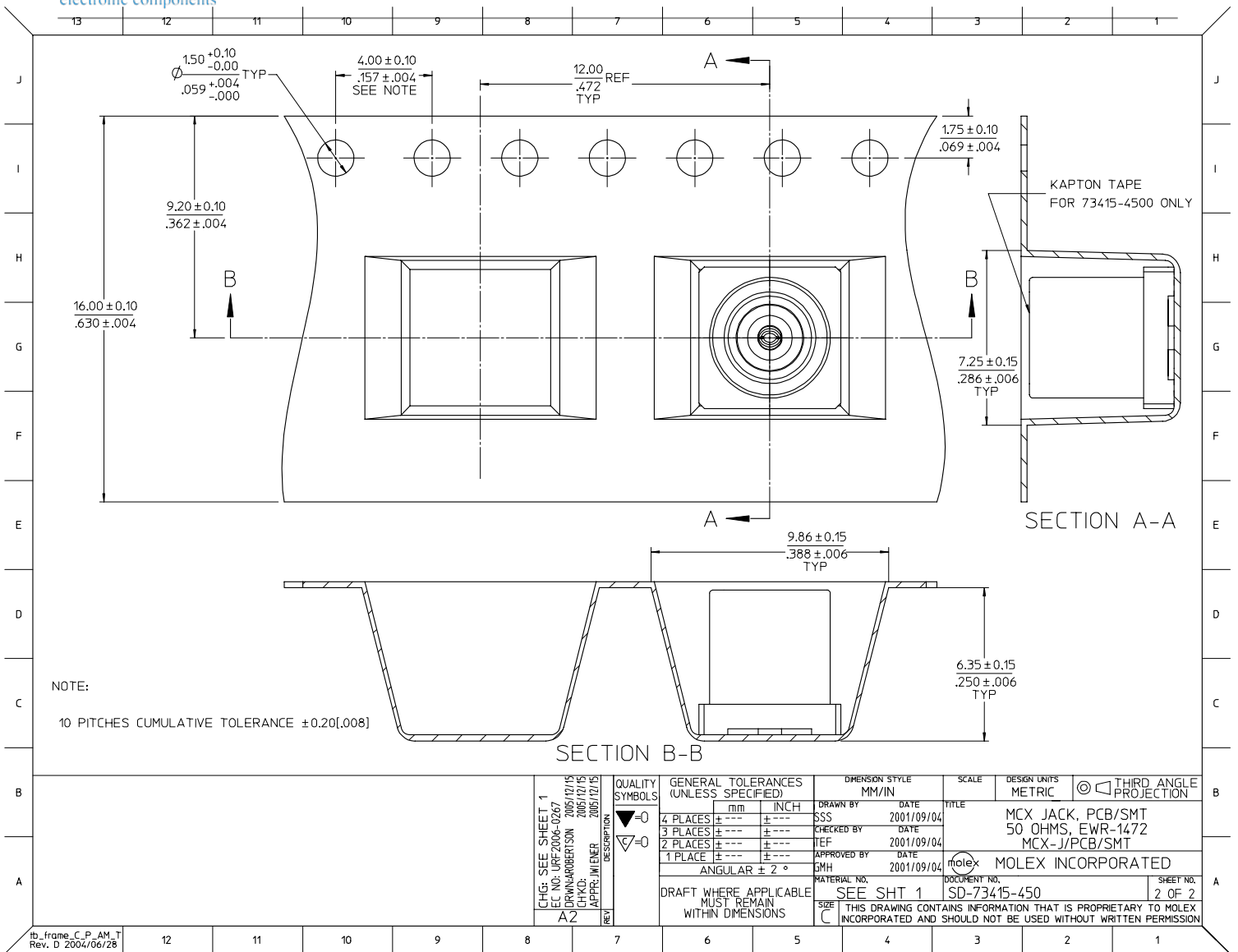
GENERAL TOLERANCES (UNLESS SPECIFIED)	
mm	INCH
4 PLACES ± .005	± .0002
3 PLACES ± .005	± .0002
2 PLACES ± .005	± .0002
1 PLACE ± .005	± .0002
ANGULAR ± 2 °	

MM/IN	SCALE	DESIGN UNITS	THIRD ANGLE PROJECTION
MM/IN	SCALE	METRIC	THIRD ANGLE PROJECTION

DRAWN BY	DATE	TITLE
SSS	2001/09/04	MCX JACK, PCB/SMT
CHECKED BY	DATE	50 OHMS, EWR-1472
TEF	2001/09/04	MCX-J/PCB/SMT
APPROVED BY	DATE	
GMH	2001/09/04	
MATERIAL NO.	DOCUMENT NO.	SHEET NO.
SEE NOTE	SD-73415-450	1 OF 2

DRAFT WHERE APPLICABLE MUST REMAIN WITHIN DIMENSIONS

THIS DRAWING CONTAINS INFORMATION THAT IS PROPRIETARY TO MOLEX INCORPORATED AND SHOULD NOT BE USED WITHOUT WRITTEN PERMISSION



NOTE:
10 PITCHES CUMULATIVE TOLERANCE ± 0.20(.008)

CHG: SEE SHEET 1 EC NO: URF2006-0267 DRW: ARBERTSON 2005/12/15 CHKD: 2005/12/15 APPR: WIENER 2005/12/15 REV: A2	QUALITY SYMBOLS ▽=0 ▽=0	GENERAL TOLERANCES (UNLESS SPECIFIED)		DIMENSION STYLE MM/IN	SCALE	DESIGN UNITS METRIC	THIRD ANGLE PROJECTION
		4 PLACES ± --- ± ---	DRAWN BY SSS	DATE 2001/09/04	TITLE MCX JACK, PCB/SMT 50 OHMS, EWR-1472 MCX-J/PCB/SMT		
		3 PLACES ± --- ± ---	CHECKED BY TEF	DATE 2001/09/04	MOLEX INCORPORATED		
		2 PLACES ± --- ± ---	APPROVED BY GMH	DATE 2001/09/04	MATERIAL NO. SEE SHT 1	DOCUMENT NO. SD-73415-450	SHEET NO. 2 OF 2
1 PLACE ± --- ± ---		ANGULAR ± 2 °		DRAFT WHERE APPLICABLE MUST REMAIN WITHIN DIMENSIONS			
THIS DRAWING CONTAINS INFORMATION THAT IS PROPRIETARY TO MOLEX INCORPORATED AND SHOULD NOT BE USED WITHOUT WRITTEN PERMISSION							