

Excellent Integrated System Limited

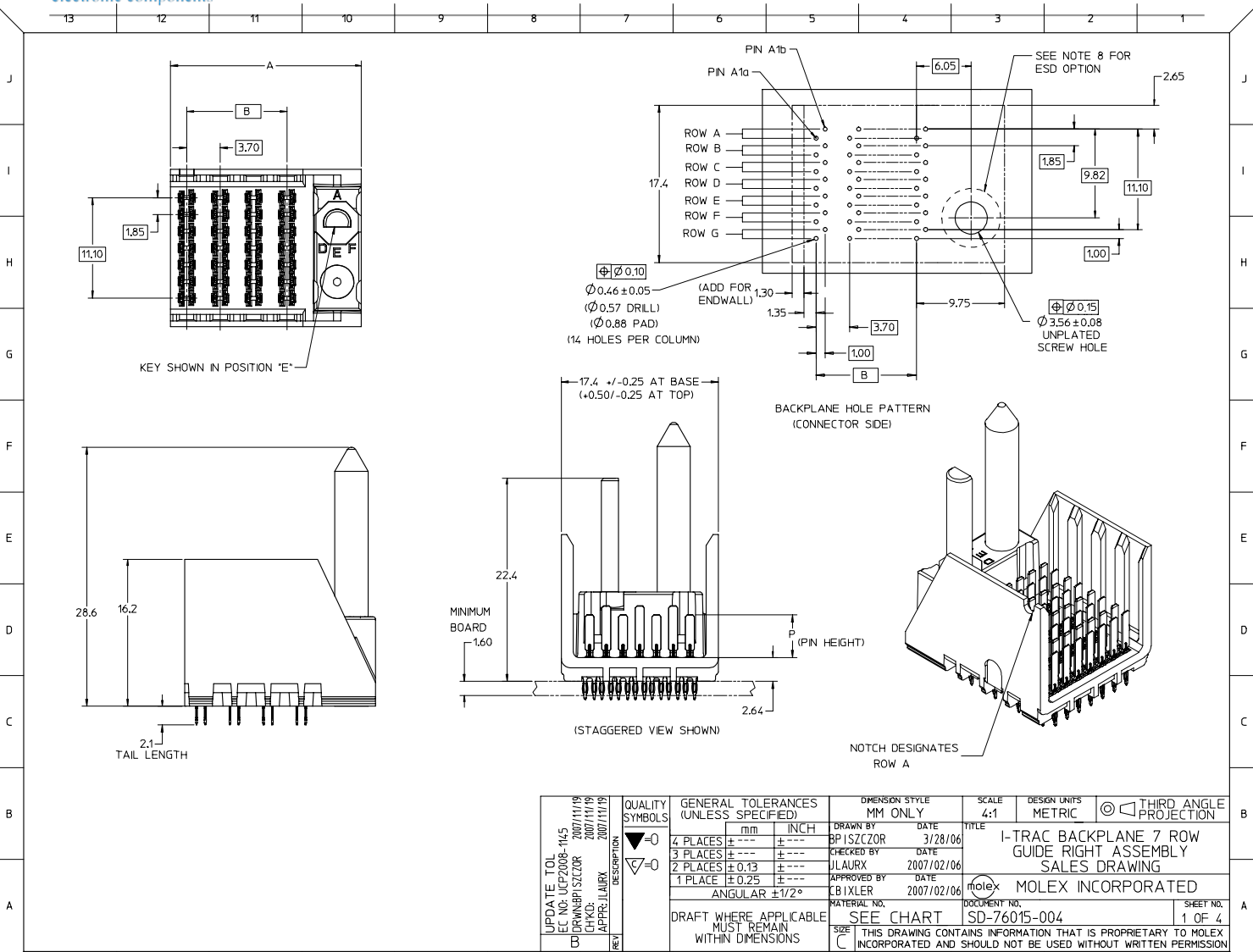
Stocking Distributor

Click to view price, real time Inventory, Delivery & Lifecycle Information:

[Molex Connector Corporation](#)
[0760290012](#)

For any questions, you can email us directly:

sales@integrated-circuit.com



UPDATE TOL ELC NO: UCF2008-1145 CHKD: BPI/SZCZOR 2007/11/19 APPR: JLAURX 2007/11/19 DESCRIPTION: I-TRAC 7 ROW CUSTOM BP ASSY	QUALITY SYMBOLS	GENERAL TOLERANCES (UNLESS SPECIFIED)	DIMENSION STYLE	SCALE	DESIGN UNITS	THIRD ANGLE PROJECTION															
	$\nabla=0$ $\sphericalangle=0$	<table border="1"> <thead> <tr> <th></th> <th>mm</th> <th>INCH</th> </tr> </thead> <tbody> <tr> <td>4 PLACES</td> <td>±---</td> <td>±---</td> </tr> <tr> <td>3 PLACES</td> <td>±---</td> <td>±---</td> </tr> <tr> <td>2 PLACES</td> <td>±0.13</td> <td>±---</td> </tr> <tr> <td>1 PLACE</td> <td>±0.25</td> <td>±---</td> </tr> </tbody> </table>		mm	INCH	4 PLACES	±---	±---	3 PLACES	±---	±---	2 PLACES	±0.13	±---	1 PLACE	±0.25	±---	MM ONLY	4:1	METRIC	
		mm	INCH																		
	4 PLACES	±---	±---																		
3 PLACES	±---	±---																			
2 PLACES	±0.13	±---																			
1 PLACE	±0.25	±---																			
DRAFT WHERE APPLICABLE MUST REMAIN WITHIN DIMENSIONS	<table border="1"> <thead> <tr> <th>DRAWN BY</th> <th>DATE</th> <th>TITLE</th> </tr> </thead> <tbody> <tr> <td>BPI/SZCZOR</td> <td>3/28/06</td> <td>I-TRAC BACKPLANE 7 ROW GUIDE RIGHT ASSEMBLY SALES DRAWING</td> </tr> <tr> <td>JLAURX</td> <td>2007/02/06</td> <td></td> </tr> <tr> <td>CBIKLER</td> <td>2007/02/06</td> <td></td> </tr> </tbody> </table>	DRAWN BY	DATE	TITLE	BPI/SZCZOR	3/28/06	I-TRAC BACKPLANE 7 ROW GUIDE RIGHT ASSEMBLY SALES DRAWING	JLAURX	2007/02/06		CBIKLER	2007/02/06		<table border="1"> <thead> <tr> <th>MATERIAL NO.</th> <th>DOCUMENT NO.</th> <th>SHEET NO.</th> </tr> </thead> <tbody> <tr> <td>SEE CHART</td> <td>SD-76015-004</td> <td>1 OF 4</td> </tr> </tbody> </table>	MATERIAL NO.	DOCUMENT NO.	SHEET NO.	SEE CHART	SD-76015-004	1 OF 4	
DRAWN BY	DATE	TITLE																			
BPI/SZCZOR	3/28/06	I-TRAC BACKPLANE 7 ROW GUIDE RIGHT ASSEMBLY SALES DRAWING																			
JLAURX	2007/02/06																				
CBIKLER	2007/02/06																				
MATERIAL NO.	DOCUMENT NO.	SHEET NO.																			
SEE CHART	SD-76015-004	1 OF 4																			
	THIS DRAWING CONTAINS INFORMATION THAT IS PROPRIETARY TO MOLEX INCORPORATED AND SHOULD NOT BE USED WITHOUT WRITTEN PERMISSION																				

76015-****

MODULE TYPE -- TAIL PLATING TYPE
 GUIDE RIGHT -- TIN/LEAD = 4
 GUIDE RIGHT -- TIN ONLY = 5
 GUIDE RIGHT W/END -- TIN/LEAD = 8
 GUIDE RIGHT W/END -- TIN ONLY = 9

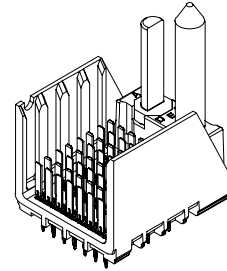
KEY ORIENTATION
 0 = NO KEY
 1 = A
 2 = B
 3 = C
 4 = D
 5 = E
 6 = F
 7 = G
 8 = H

PIV LENGTH (P)
 2 = 3.90
 3 = 4.70
 4 = 5.70
 5 = 4.70 & 5.70
 STAGGERED

OF COLUMNS
 4 = 4 COL
 6 = 6 COL
 1 = 10 COL

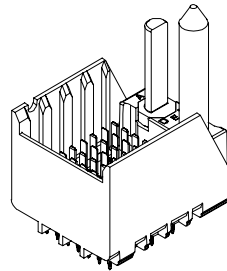
MATERIAL NUMBER	# OF COLUMNS	DM 'A'	DM 'B'
76015-4**	4	21.1	11.10
76015-6**	6	28.5	18.50
76015-1**	10	43.3	33.30

GUIDE LEFT STYLE



MATERIAL NUMBER	# OF COLUMNS	DM 'A'	DM 'B'
76015-4**	4	22.4	11.10
76015-6**	6	29.8	18.50
76015-1**	10	44.6	33.30

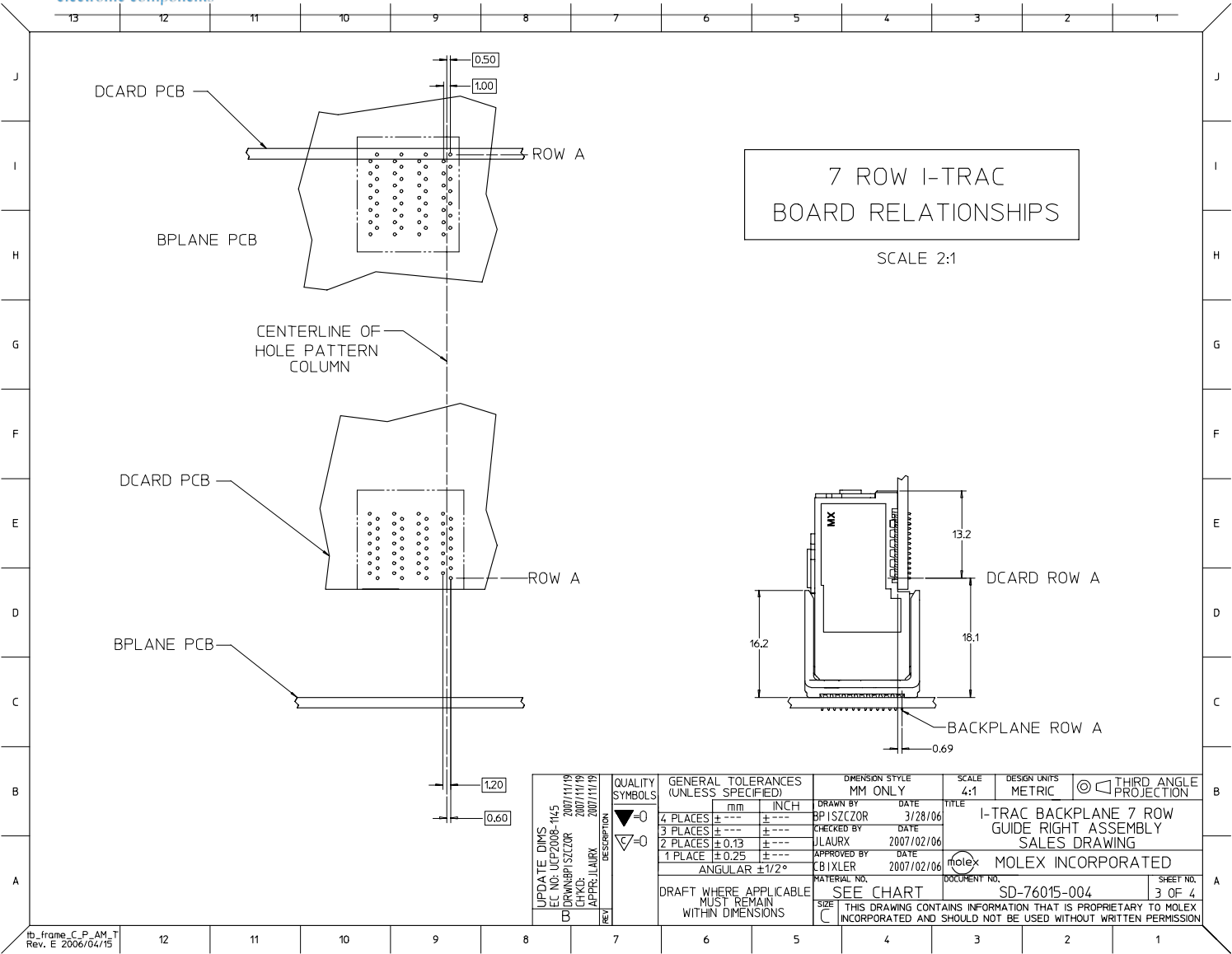
GUIDE LEFT W/END STYLE



NOTES:

- MATERIALS: HOUSING - LIQUID CRYSTAL POLYMER (LCP) GLASS-FILLED, UL94V-0
 TERMINALS - HIGH PERFORMANCE COPPER ALLOY
- FINISH: 30µm MIN. GOLD IN CONTACT AREA.
 SELECTIVE TIN/LEAD OR SELECTIVE TIN ON PCB TAILS, NICKEL OVERALL.
- REFER TO MOLEX PRODUCT SPECIFICATION PS-75710-999 FOR PERFORMANCE SPECIFICATIONS.
- FOR MIXED CONTACT MATING LENGTHS, CONSULT MOLEX FOR AVAILABILITY.
- THIS PART CONFORMS TO CLASS B REQUIREMENTS OF COSMETIC SPEC PS-45499-002.
- PACKAGE PER: PK-70873-125.
- GUIDED PARTS TO BE SHIPPED WITH 2-56 UNC B SCREW P/N 73774-1000.
- FOR GROUNDED GUIDE PINS USE DIA 3.56 +/-0.08 (PTH), DIA 3.66 (DRILL), AND DIA 6.5 (PAD).
- REFER TO PCB ROUTING GUIDE FOR ANTI-PAD AND ROUTING RECOMMENDATIONS.

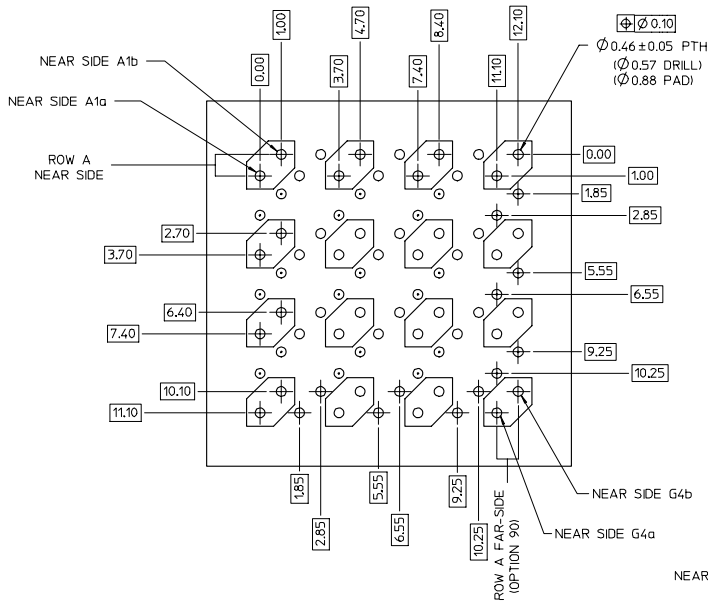
INITIAL RELEASE EIC NO: UCF2006-1145 DRAWN BY: BPI SZCZOR CHKD: JLAURX APPR: JLAURX 2007/11/19 2007/11/19 2007/11/19	QUALITY SYMBOLS ▽=0 ▽=0	GENERAL TOLERANCES (UNLESS SPECIFIED)		DIMENSION STYLE MM ONLY	SCALE 4:1	DESIGN UNITS METRIC	THIRD ANGLE PROJECTION	
		4 PLACES ±.00 ±.00 3 PLACES ±.00 ±.00 2 PLACES ±0.13 ±.00 1 PLACE ±0.25 ±.00	mm INCH	DRAWN BY BPI SZCZOR	DATE 3/28/06	TITLE I-TRAC BACKPLANE 7 ROW GUIDE RIGHT ASSEMBLY SALES DRAWING		
DRAFT WHERE APPLICABLE MUST REMAIN WITHIN DIMENSIONS		APPROVED BY JLAURX		DATE 2007/02/06	MOLEX INCORPORATED			SHEET NO. 2 OF 4
MATERIAL NO. SEE CHART		DOCUMENT NO. SD-76015-004		THIS DRAWING CONTAINS INFORMATION THAT IS PROPRIETARY TO MOLEX INCORPORATED AND SHOULD NOT BE USED WITHOUT WRITTEN PERMISSION				



**7 ROW I-TRAC
BOARD RELATIONSHIPS**

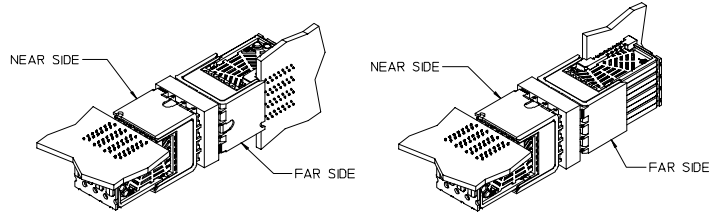
SCALE 2:1

UPDATE DIMS ELC NO: UCF2008-145 CHKD: BPI/SZCZOR 2007/11/19 APPR: JL AURX 2007/11/19 DESCRIPTION I-TRAC 7 ROW CUSTOM BP ASSY	QUALITY SYMBOLS	GENERAL TOLERANCES (UNLESS SPECIFIED)	DIMENSION STYLE	SCALE	DESIGN UNITS	THIRD ANGLE PROJECTION															
	$\nabla=0$ $\sphericalangle=0$	<table border="1"> <thead> <tr> <th></th> <th>mm</th> <th>INCH</th> </tr> </thead> <tbody> <tr> <td>4 PLACES</td> <td>±0.15</td> <td>±0.005</td> </tr> <tr> <td>3 PLACES</td> <td>±0.20</td> <td>±0.008</td> </tr> <tr> <td>2 PLACES</td> <td>±0.25</td> <td>±0.010</td> </tr> <tr> <td>1 PLACE</td> <td>±0.30</td> <td>±0.012</td> </tr> </tbody> </table>		mm	INCH	4 PLACES	±0.15	±0.005	3 PLACES	±0.20	±0.008	2 PLACES	±0.25	±0.010	1 PLACE	±0.30	±0.012	MM ONLY	4:1	METRIC	
		mm	INCH																		
	4 PLACES	±0.15	±0.005																		
3 PLACES	±0.20	±0.008																			
2 PLACES	±0.25	±0.010																			
1 PLACE	±0.30	±0.012																			
DRAWN BY: BPI/SZCZOR DATE: 3/28/06 CHECKED BY: JL AURX DATE: 2007/02/06 APPROVED BY: JL AURX DATE: 2007/02/06	MATERIAL NO. SEE CHART	DOCUMENT NO. SD-76015-004	SHEET NO. 3 OF 4																		
DRAFT WHERE APPLICABLE MUST REMAIN WITHIN DIMENSIONS	THIS DRAWING CONTAINS INFORMATION THAT IS PROPRIETARY TO MOLEX INCORPORATED AND SHOULD NOT BE USED WITHOUT WRITTEN PERMISSION																				



ORTHO PIN MAPPING			
OPTION 90 (NEAR SIDE - FAR SIDE)			
A1b-G4b	A2b-E4b	A3b-C4b	A4b-A4b
A1a-G4a	A2a-E4a	A3a-C4a	A4a-A4a
C1b-G3b	C2b-E3b	C3b-C3b	C4b-A3b
C1a-G3a	C2a-E3a	C3a-C3a	C4a-A3a
E1b-G2b	E2b-E2b	E3b-C2b	E4b-A2b
E1a-G2a	E2a-E2a	E3a-C2a	E4a-A2a
G1b-G1b	G2b-E1b	G3b-C1b	G4b-A1b
G1a-G1a	G2a-E1a	G3a-C1a	G4a-A1a

ORTHO PIN MAPPING			
OPTION 270 (NEAR SIDE - FAR SIDE)			
A1b-A1a	A2b-C1a	A3b-E1a	A4b-G1a
A1a-A1b	A2a-C1b	A3a-E1b	A4a-G1b
C1b-A2a	C2b-C2a	C3b-E2a	C4b-G2a
C1a-A2b	C2a-C2b	C3a-E2b	C4a-G2b
E1b-A3a	E2b-C3a	E3b-E3a	E4b-G3a
E1a-A3b	E2a-C3b	E3a-E3b	E4a-G3b
G1b-A4a	G2b-C4a	G3b-E4a	G4b-G4a
G1a-A4b	G2a-C4b	G3a-E4b	G4a-G4b



OPTION 90

OPTION 270

NOTES:



- NEAR SIDE GROUNDS
- FAR SIDE GROUNDS

INITIAL RELEASE EIC NO: UCP2006-1145 DRAWN BY: BPI/SZCZOR 2007/11/19 CHKD: JLAURX 2007/11/19 APPR: JLAURX 2007/11/19 REV:	QUALITY SYMBOLS	GENERAL TOLERANCES (UNLESS SPECIFIED)	DIMENSION STYLE	SCALE	DESIGN UNITS	THIRD ANGLE PROJECTION															
	$\nabla=0$ $\nabla=0$	<table border="1"> <thead> <tr> <th></th> <th>mm</th> <th>INCH</th> </tr> </thead> <tbody> <tr> <td>4 PLACES</td> <td>±---</td> <td>±---</td> </tr> <tr> <td>3 PLACES</td> <td>±---</td> <td>±---</td> </tr> <tr> <td>2 PLACES</td> <td>±0.13</td> <td>±---</td> </tr> <tr> <td>1 PLACE</td> <td>±0.25</td> <td>±---</td> </tr> </tbody> </table>		mm	INCH	4 PLACES	±---	±---	3 PLACES	±---	±---	2 PLACES	±0.13	±---	1 PLACE	±0.25	±---	MM ONLY	4:1	METRIC	
		mm	INCH																		
	4 PLACES	±---	±---																		
3 PLACES	±---	±---																			
2 PLACES	±0.13	±---																			
1 PLACE	±0.25	±---																			
DRAFT WHERE APPLICABLE MUST REMAIN WITHIN DIMENSIONS	<table border="1"> <thead> <tr> <th>DESCRIPTION</th> <th>DATE</th> </tr> </thead> <tbody> <tr> <td>DRAWN BY: BPI/SZCZOR</td> <td>2007/11/19</td> </tr> <tr> <td>CHECKED BY: JLAURX</td> <td>2007/02/06</td> </tr> <tr> <td>APPROVED BY: CBIXLER</td> <td>2007/02/06</td> </tr> </tbody> </table>	DESCRIPTION	DATE	DRAWN BY: BPI/SZCZOR	2007/11/19	CHECKED BY: JLAURX	2007/02/06	APPROVED BY: CBIXLER	2007/02/06	DRAWN BY: BPI/SZCZOR DATE: 3/28/06 CHECKED BY: JLAURX DATE: 2007/02/06 APPROVED BY: CBIXLER DATE: 2007/02/06	TITLE	I-TRAC BACKPLANE 7 ROW GUIDE RIGHT ASSEMBLY SALES DRAWING	SHEET NO. 4 OF 4								
DESCRIPTION	DATE																				
DRAWN BY: BPI/SZCZOR	2007/11/19																				
CHECKED BY: JLAURX	2007/02/06																				
APPROVED BY: CBIXLER	2007/02/06																				
		MATERIAL NO. SEE CHART	MOLEX INCORPORATED	DOCUMENT NO. SD-76015-004																	