



Distributor of Molex Connector Corporation: Excellent Integrated System Limited
Datasheet of 0873681140 - Connector Receptacle 40 Position 0.079" (2.00mm) Gold Surface
Mount, Right Angle

Contact us: sales@integrated-circuit.com Website: www.integrated-circuit.com

Excellent Integrated System Limited

Stocking Distributor

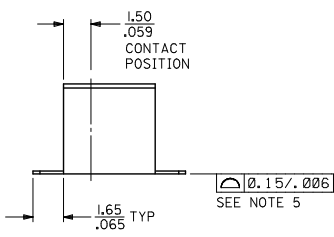
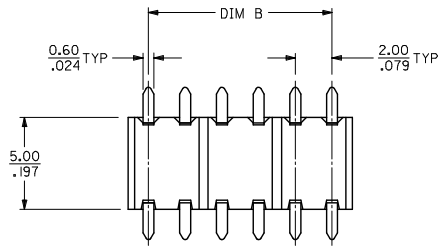
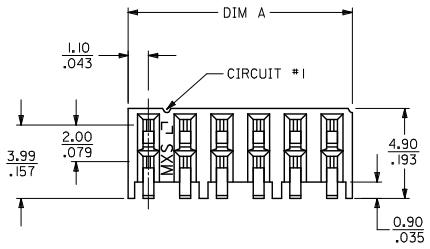
Click to view price, real time Inventory, Delivery & Lifecycle Information:

[Molex Connector Corporation](#)
[0873681140](#)

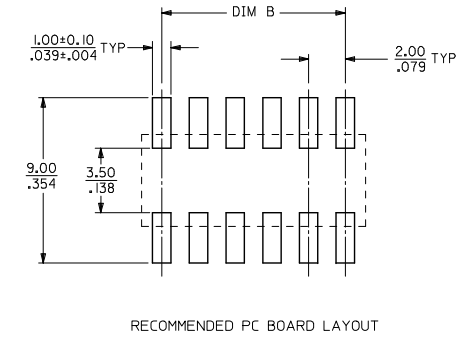
For any questions, you can email us directly:
sales@integrated-circuit.com

Contact us: sales@integrated-circuit.com Website: www.integrated-circuit.com

PART NUMBER IN TAPE/REEL	PART NUMBER IN TAPE/REEL	PKT. SIZE	DIM A	DIM B	W	EMBOSSED TYPE
0.76um/30u" GOLD	0.38um/15u" GOLD					
-	87368-1110	10	10.20/0.402	8.00/0.315	24.00/0.945	A
-	87368-1112	12	12.20/0.480	10.00/0.394	24.00/0.945	A
87368-0320	87368-1120	20	20.20/0.795	18.00/0.709	32.00/1.260	B
-	87368-1140	40	40.20/1.583	38.00/1.496	56.00/2.205	C
-	87368-1150	50	50.20/1.976	48.00/1.890	72.00/2.835	B



- NOTE:
- MATERIAL: HOUSING - NYLON, GLASS FILLED, UL94V-0
COLOR: BLACK
TERMINAL - PHOSPHOR BRONZE
 - FINISHES: TERMINAL - SELECTIVE GOLD IN THE CONTACT AREA:
THICKNESS = SEE TABLE
2.54um/100um MIN. SELECTIVE TIN
IN THE PC SOLDER TAIL AREA
BOTH OVER 1.27um/50um MIN. NICKEL OVERALL
 - PRODUCT SPECIFICATION: PS-87264
 - CIRCUIT SIZE 12 IS SHOWN FOR ILLUSTRATION ONLY, SEE CHART FOR AVAILABLE CIRCUIT SIZES.
 - COPLANARITY OF SOLDER TAIL IS TO BE MEASURED BY RESTING THE PART ON A FLAT GAUGE SURFACE.
 - PART MATEABLE TO ALL MILLI-GRID HEADERS WITH MATING PIN LENGTH BETWEEN 2.50mm AND 4.20mm.
 - PART IS PACK IN TAPE AND REEL.
 - PARTS SHALL BE PACKED IN MOISTURE BARRIER BAG.

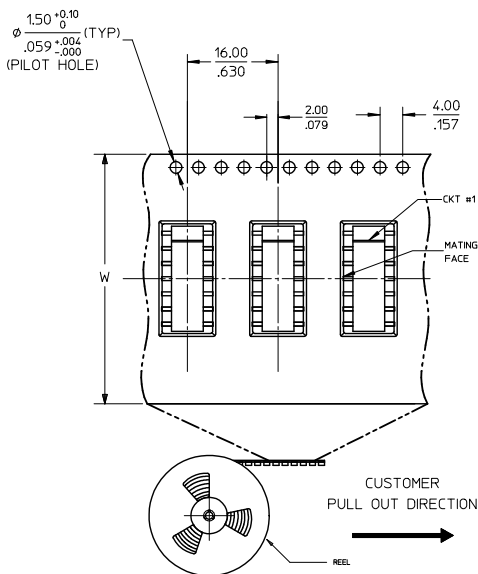


RECOMMENDED PC BOARD LAYOUT

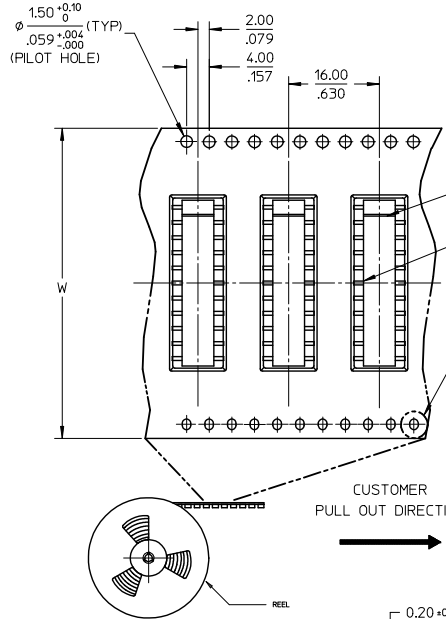
CORRECT PILOT HOLES LOCATION EC NO. S2010-0008 DRAWN BY DRWAN-SKANG CHECKED BY CHYKATSEE APPROVED BY APPR:MLONG 2009/07/14 2009/07/14 2009/07/17	QUALITY SYMBOLS	GENERAL TOLERANCES (UNLESS SPECIFIED)	DIMENSION STYLE	SCALE	DESIGN UNITS	THIRD ANGLE PROJECTION	
	▽=0	mm INCH	MM/IN	NTS	METRIC		
	▽=0	4 PLACES ± --- ± ---	DRAWN BY DATE			TITLE	
		3 PLACES ± --- ± .008	JSGOH 1999/02/12			MGRID SIDE ENTRY RECEPTACLE SMT	
	2 PLACES ± 0.20 ± ---	CHECKED BY DATE					
	1 PLACE ± --- ± ---	LCHANG 1999/06/10					
	ANGULAR ± 3°	APPROVED BY DATE					
		JLIM 1999/06/17					
	DRAFT WHERE APPLICABLE MUST REMAIN WITHIN DIMENSIONS	MATERIAL NO.					
		SEE TABLE					
		SIZE A3					
		THIS DRAWING CONTAINS INFORMATION THAT IS PROPRIETARY TO MOLEX INCORPORATED AND SHOULD NOT BE USED WITHOUT WRITTEN PERMISSION					

Contact us: sales@integrated-circuit.com Website: www.integrated-circuit.com

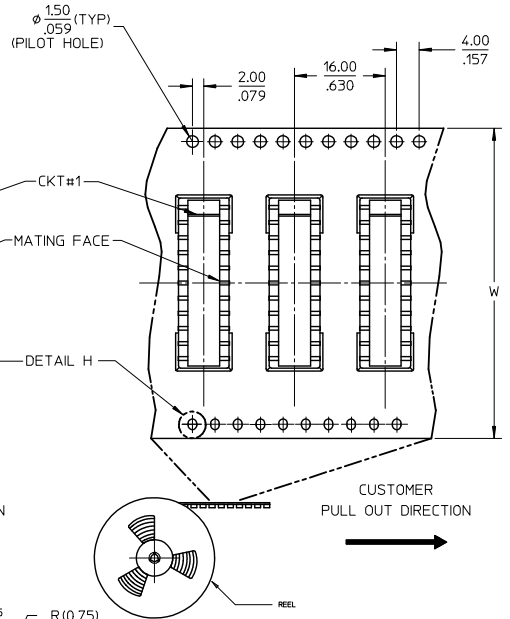
EMBOSSED TYPE A



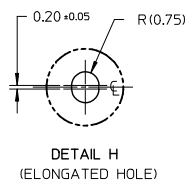
EMBOSSED TYPE B



EMBOSSED TYPE C



- NOTES:**
- LEADER AND TRAILER TAPE
 - PEELING OFF FORCE OF THE TOP TAPE: 20-80gf. (PEELING DIRECTION AS SHOWN IN FOLLOWING FIGURE)
 - PACKAGING STANDARD IS AS PER EIA-481.
 - TAPE & REEL QUANTITY = 750PCS/REEL



CORRECT PILOT HOLES LOCATION EC. NO. S2010-0008 DRAWN:SKANG 2009/07/14 CHKD:ATSEE 2009/07/14 APPR:MLONG 2009/07/17	QUALITY SYMBOLS ▽=0 ▽=0	GENERAL TOLERANCES (UNLESS SPECIFIED)		DIMENSION STYLE MM/IN		SCALE NTS	DESIGN UNITS METRIC	THIRD ANGLE PROJECTION		
		4 PLACES ± --- ± ---	mm	INCH	DRAWN BY JSGOH	DATE 1999/02/12	TITLE MGRID SIDE ENTRY RECEPTACLE SMT			
		3 PLACES ± --- ± .008			CHECKED BY LCHANG	DATE 1999/06/10	MATERIAL NO. SEE TABLE			
		2 PLACES ± 0.20 ± ---			APPROVED BY JLIM	DATE 1999/06/17	DOCUMENT NO. SD-87368-001		SHEET NO. 2 OF 2	
		1 PLACE ± --- ± ---	ANGULAR ± 3°		DRAFT WHERE APPLICABLE MUST REMAIN WITHIN DIMENSIONS					
				SIZE A3		THIS DRAWING CONTAINS INFORMATION THAT IS PROPRIETARY TO MOLEX INCORPORATED AND SHOULD NOT BE USED WITHOUT WRITTEN PERMISSION				