



Distributor of Molex Connector Corporation: Excellent Integrated System Limited
Datasheet of 0873688010 - Connector Receptacle 20 Position 0.079" (2.00mm) Gold Surface Mount

Contact us: sales@integrated-circuit.com Website: www.integrated-circuit.com

Excellent Integrated System Limited

Stocking Distributor

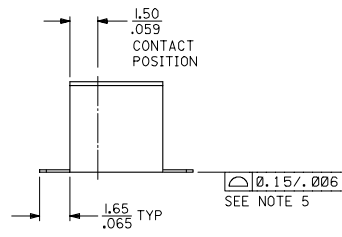
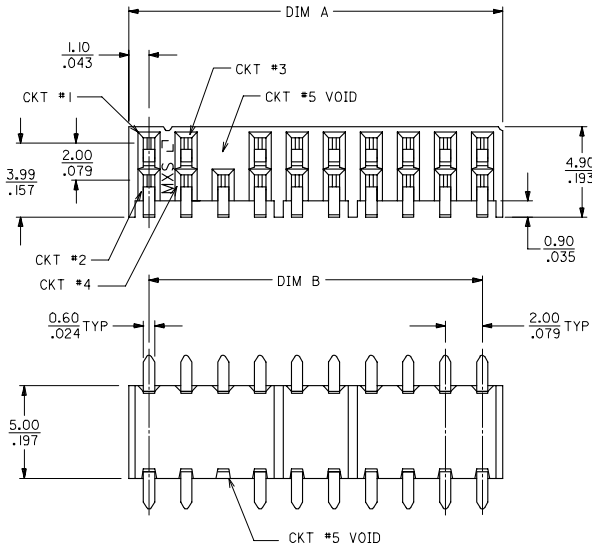
Click to view price, real time Inventory, Delivery & Lifecycle Information:

[Molex Connector Corporation](#)
[0873688010](#)

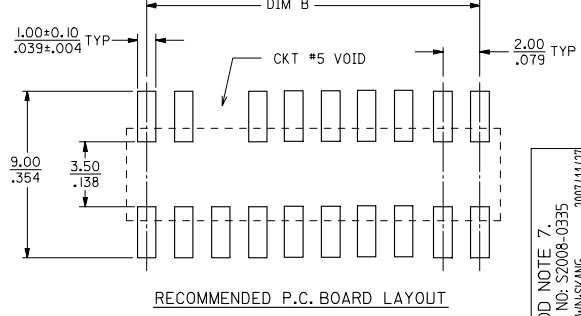
For any questions, you can email us directly:
sales@integrated-circuit.com

Contact us: sales@integrated-circuit.com Website: www.integrated-circuit.com

PART NUMBER IN TAPE/REEL	CKT. SIZE	VOID CKT.	DIM A	DIM B
87368-8010	20	5	20.20/0.795	18.00/0.709



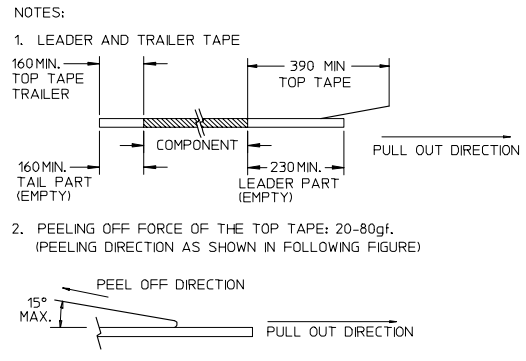
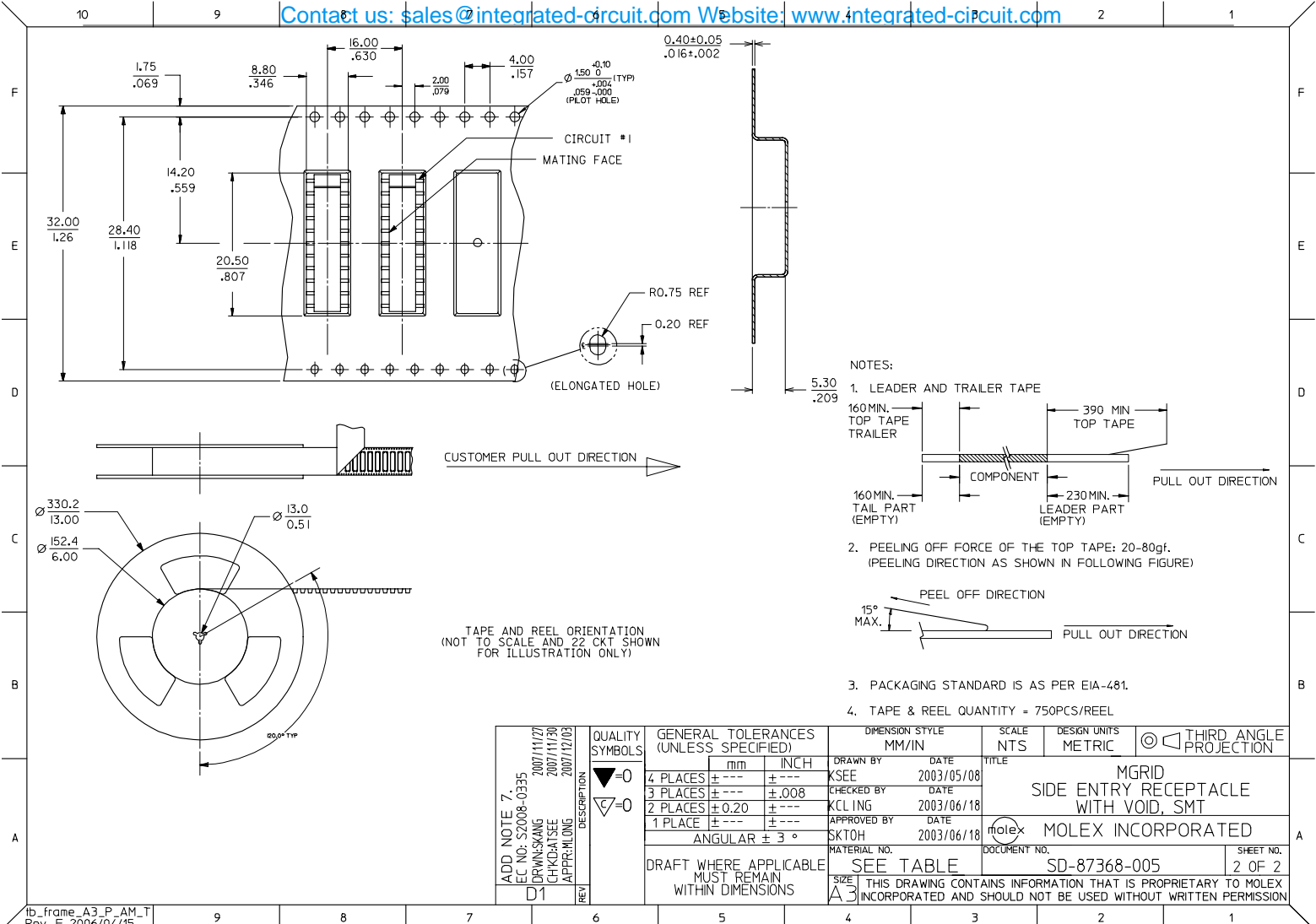
- NOTE:**
- MATERIAL : HOUSING - NYLON, GLASS FILLED, UL94 V-0
COLOR : BLACK
TERMINAL - PHOSPHOR BRONZE
 - FINISHES : TERMINAL - SELECTIVE GOLD IN THE CONTACT AREA
2.54um/100uin MIN. SELECTIVE TIN IN THE PC TAIL AREA
BOTH OVER 1.27um/50uin MIN. NICKEL OVERALL
 - PRODUCT SPECIFICATION : PS-87264
 - COPLANARITY OF SOLDER TAIL IS TO BE MEASURED BY RESTING THE PART ON A FLAT GAUGE SURFACE.
 - PART MATEABLE TO ALL MILLI-GRID HEADERS WITH MATING PIN LENGTH BETWEEN 2.50mm AND 4.20mm
 - PART IS PACK IN TAPE/REEL.
 - PARTS SHALL BE PACKED IN MOISTURE BARRIER BAG.



RECOMMENDED P.C. BOARD LAYOUT

ADD NOTE 7 EC NO: S2008-0335 DRAWN BY: DRINKSANG 2007/11/27 CHKD BY: CHKDAISEE 2007/11/30 APPR: HLONG 2007/12/03	QUALITY SYMBOLS	GENERAL TOLERANCES (UNLESS SPECIFIED)	DIMENSION STYLE	SCALE	DESIGN UNITS	THIRD ANGLE PROJECTION															
	$\nabla=0$ $\nabla=0$	<table border="1"> <tr> <th></th> <th>mm</th> <th>INCH</th> </tr> <tr> <td>4 PLACES</td> <td>±---</td> <td>±---</td> </tr> <tr> <td>3 PLACES</td> <td>±---</td> <td>±.008</td> </tr> <tr> <td>2 PLACES</td> <td>±0.20</td> <td>±---</td> </tr> <tr> <td>1 PLACE</td> <td>±---</td> <td>±---</td> </tr> </table>		mm	INCH	4 PLACES	±---	±---	3 PLACES	±---	±.008	2 PLACES	±0.20	±---	1 PLACE	±---	±---	MM/IN	NTS	METRIC	
		mm	INCH																		
	4 PLACES	±---	±---																		
3 PLACES	±---	±.008																			
2 PLACES	±0.20	±---																			
1 PLACE	±---	±---																			
	ANGULAR ± 3 °	DRAWN BY: KSEE DATE: 2003/05/08 CHECKED BY: KCL ING DATE: 2003/06/18 APPROVED BY: SKTOH DATE: 2003/06/18	TITLE																		
	DRAFT WHERE APPLICABLE MUST REMAIN WITHIN DIMENSIONS	SEE TABLE	MATERIAL NO.	DOCUMENT NO.	SHEET NO.																
			MOLEX INCORPORATED	SD-87368-005	1 OF 2																

Contact us: sales@integrated-circuit.com Website: www.integrated-circuit.com



TAPE AND REEL ORIENTATION (NOT TO SCALE AND 22 CKT SHOWN FOR ILLUSTRATION ONLY)

ADD NOTE 7 EC NO: S2008-0335 DRAWN BY: DRWNSJMC CHECKED BY: CHKDNTSEE APPROVED BY: APPRHLONG 2007/11/27 2007/11/20 2007/12/03 D1	QUALITY SYMBOLS	GENERAL TOLERANCES (UNLESS SPECIFIED)	DIMENSION STYLE	SCALE	DESIGN UNITS	THIRD ANGLE PROJECTION															
	$\nabla=0$ $\nabla=0$	<table border="1"> <tr> <th></th> <th>mm</th> <th>INCH</th> </tr> <tr> <td>4 PLACES</td> <td>±---</td> <td>±---</td> </tr> <tr> <td>3 PLACES</td> <td>±---</td> <td>±.008</td> </tr> <tr> <td>2 PLACES</td> <td>±0.20</td> <td>±---</td> </tr> <tr> <td>1 PLACE</td> <td>±---</td> <td>±---</td> </tr> </table>		mm	INCH	4 PLACES	±---	±---	3 PLACES	±---	±.008	2 PLACES	±0.20	±---	1 PLACE	±---	±---	MM/IN	NTS	METRIC	
		mm	INCH																		
	4 PLACES	±---	±---																		
3 PLACES	±---	±.008																			
2 PLACES	±0.20	±---																			
1 PLACE	±---	±---																			
ANGULAR ± 3 °	DRAWN BY: KSEE	DATE: 2003/05/08	TITLE: MGRID	SIDE ENTRY RECEPTACLE WITH VOID, SMT																	
DRAFT WHERE APPLICABLE MUST REMAIN WITHIN DIMENSIONS	CHECKED BY: KCLING	DATE: 2003/06/18	APPROVED BY: SKTOH	DATE: 2003/06/18	MATERIAL NO. SEE TABLE	DOCUMENT NO. SD-87368-005															
						SHEET NO. 2 OF 2															