

Excellent Integrated System Limited

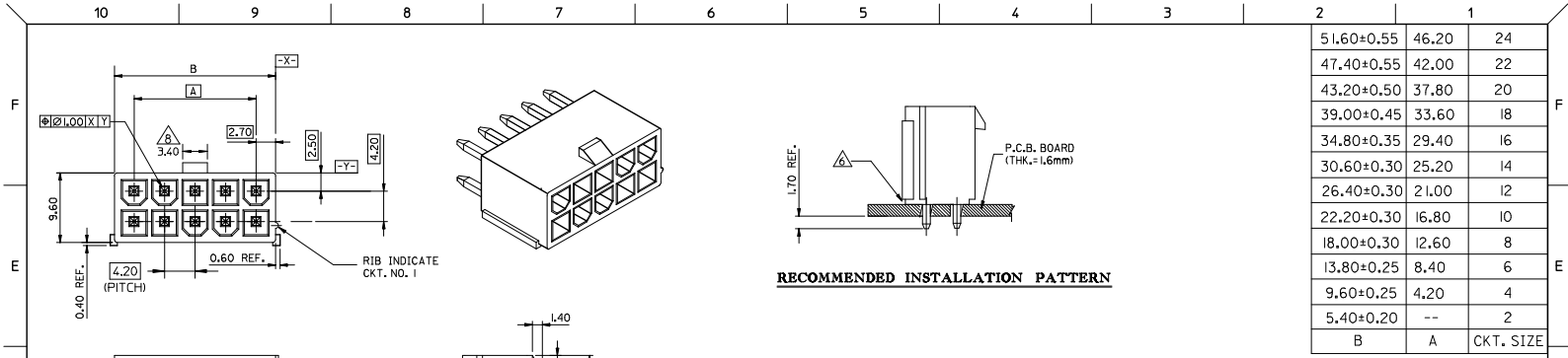
Stocking Distributor

Click to view price, real time Inventory, Delivery & Lifecycle Information:

[Molex Connector Corporation](#)
[0874271642](#)

For any questions, you can email us directly:

sales@integrated-circuit.com



	51.60±0.55	46.20	24
	47.40±0.55	42.00	22
	43.20±0.50	37.80	20
	39.00±0.45	33.60	18
	34.80±0.35	29.40	16
	30.60±0.30	25.20	14
	26.40±0.30	21.00	12
	22.20±0.30	16.80	10
	18.00±0.30	12.60	8
	13.80±0.25	8.40	6
	9.60±0.25	4.20	4
	5.40±0.20	--	2
	B	A	CKT. SIZE

RECOMMENDED INSTALLATION PATTERN

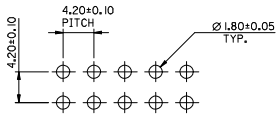
NOTES

- MATERIALS:
- HEADER: NYLON 46, UL94V-0, COLOR SEE LEGEND.
- PIN: BRASS
- FINISH- PLATING OF PIN:
 - 2 = .00254 MIN. MATTE TIN OVER .00127 MIN. NICKEL
 - 3 = 0.00076 MIN. SELECT GOLD AND 0.00254 MIN. SELECT MATTE TIN OVER 0.00127 MIN. NICKEL OVERALL
- PRODUCT SPECIFICATION: PS-87427-0001.
PACKAGING SPECIFICATION:
BULK PACK PER PK-87427-004.
TAPE & REEL PACK PER PK-36633-008 OR PK-87427-009
- MATES WITH: MINI-FIT JR. RECEPTACLE SERIES 5557.
- HOUSING STANDOFF (0.70mm REF.)
- THESE PARTS CONFORM TO CLASS 'B' REQUIREMENTS OF COSMETIC SPECIFICATION PS-45499-002.
- THIS DIMENSION IS 4.2 ON 2 CKT PARTS.
- DISCOLORATION IN THE BANDOLIER CARRIER AREA OF THE PIN IS INHERENT TO THE PLATING PROCESS AND IS DUE TO THE MASKING EFFECT OF THE CARRIER. THIS DISCOLORATION IS IN A NON-FUNCTIONAL AREA OF THE PIN AND WILL NOT AFFECT THE PERFORMANCE OF THE HEADER ASSEMBLY.
- PARTS ARE NOT DESIGNED FOR CURRENT SHARING.
- CONNECTORS ARE NOT TO BE MATED AND UNMATED WHILE CIRCUITS ARE LIVE.

LEGEND

- 36633-**** SEE SHEET 2 FOR CKT SIZE, PKG. PLATING, & HSG COLOR OPTIONS.
- 87427-**** CKT. SIZE
- PLATING OPTIONS
 - 2 = NOTE
 - 8 = NOTE
- COLOR & PACKAGING
 - 3 = BEIGE, TAPE & REEL PACKED
 - 4 = BEIGE, BULK PACKED
 - 9 = BLACK, BULK PACKED

RECOMMENDED P.C.B. LAYOUT



OBS P/N 'S EC. NO.: LCP2013-1112 DRAWN BY: DRWINBEE CHKD.: BELL APPR.: SMITH	QUALITY SYMBOLS ▽=0 ▽=0 ▽=0	GENERAL TOLERANCES (UNLESS SPECIFIED)		DIMENSION STYLE MM ONLY		SCALE 4:1	DESIGN UNITS METRIC	THIRD ANGLE PROJECTION	
		mm	INCH	DRAWN BY SAM.C	DATE 960401	TITLE 4.2MM W-T-B VERT. HEADER W/O FLANGES MINI-FIT JR			
REV	DESCRIPTION	4 PLACES ±---	±---	CHECKED BY	DATE				
		3 PLACES ±---	±---	APPROVED BY	DATE				
		2 PLACES ±0.20	±---	FSMITH	2010/10/04	MATERIAL NO. SEE CHART	DOCUMENT NO. SD-87427-***4*	SHEET NO. 1 OF 2	
		1 PLACE ±---	±---	THIS DRAWING CONTAINS INFORMATION THAT IS PROPRIETARY TO MOLEX INCORPORATED AND SHOULD NOT BE USED WITHOUT WRITTEN PERMISSION					
		0 PLACE ±---	±---						

	10	9	8	7	6	5	4	3	2	1																																																																																																																																	
F	 CKT.SIZE 14		 CKT.SIZE 12																																																																																																																																								
E	 CKT.SIZE 16		 CKT.SIZE 10																																																																																																																																								
D	 CKT.SIZE 18		 CKT.SIZE 8																																																																																																																																								
C	 CKT.SIZE 20		 CKT.SIZE 6																																																																																																																																								
B	 CKT.SIZE 22		 CKT.SIZE 4																																																																																																																																								
A	 CKT.SIZE 24		 CKT.SIZE 2																																																																																																																																								
					<p>“#” CONSULT FACTORY FOR AVAILABILITY</p> <table border="1"> <thead> <tr> <th colspan="2">BULK PACKED</th> <th colspan="2">BULK PACKED</th> <th colspan="2">TAPE & REEL PACKED</th> <th colspan="2">BULK PACKED</th> </tr> <tr> <th colspan="2">PLATING=TINΔ</th> <th colspan="2">PLATING=GOLDΔ</th> <th colspan="2">PLATING=TINΔ</th> <th colspan="2">PLATING=TINΔ</th> </tr> <tr> <th colspan="2">COLOR=BLACK</th> <th colspan="2">COLOR=BEIGE</th> <th colspan="2">COLOR=BEIGE</th> <th colspan="2">COLOR=BEIGE</th> </tr> </thead> <tbody> <tr> <td>#</td> <td>87427-2492</td> <td>24</td> <td>87427-2448</td> <td>24</td> <td>#</td> <td>87427-2432</td> <td>24</td> </tr> <tr> <td>#</td> <td>87427-2292</td> <td>22</td> <td>87427-2248</td> <td>22</td> <td>#</td> <td>87427-2232</td> <td>22</td> </tr> <tr> <td>#</td> <td>87427-2092</td> <td>20</td> <td>87427-2048</td> <td>20</td> <td>#</td> <td>87427-2032</td> <td>20</td> </tr> <tr> <td>#</td> <td>87427-1892</td> <td>18</td> <td>87427-1848</td> <td>18</td> <td>#</td> <td>87427-1832</td> <td>18</td> </tr> <tr> <td>#</td> <td>87427-1692</td> <td>16</td> <td>87427-1648</td> <td>16</td> <td>#</td> <td>87427-1632</td> <td>16</td> </tr> <tr> <td>#</td> <td>87427-1492</td> <td>14</td> <td>87427-1448</td> <td>14</td> <td>#</td> <td>87427-1432</td> <td>14</td> </tr> <tr> <td>#</td> <td>87427-1292</td> <td>12</td> <td>87427-1248</td> <td>12</td> <td>#</td> <td>87427-1232</td> <td>12</td> </tr> <tr> <td>#</td> <td>87427-1092</td> <td>10</td> <td>87427-1048</td> <td>10</td> <td>#</td> <td>87427-1032</td> <td>10</td> </tr> <tr> <td>#</td> <td>87427-0892</td> <td>8</td> <td>87427-0848</td> <td>8</td> <td>#</td> <td>87427-0832</td> <td>8</td> </tr> <tr> <td>#</td> <td>87427-0692</td> <td>6</td> <td>87427-0648</td> <td>6</td> <td>#</td> <td>36633-0010</td> <td>6</td> </tr> <tr> <td>#</td> <td>87427-0492</td> <td>4</td> <td>87427-0448</td> <td>4</td> <td>#</td> <td>36633-0009</td> <td>4</td> </tr> <tr> <td>#</td> <td>87427-0292</td> <td>2</td> <td>87427-0248</td> <td>2</td> <td>#</td> <td>36633-0008</td> <td>2</td> </tr> <tr> <td></td> <td>ENG. NO.</td> <td>CKT. SIZE</td> <td>ENG. NO.</td> <td>CKT. SIZE</td> <td>ENG. NO.</td> <td>CKT. SIZE</td> <td>ENG. NO.</td> <td>CKT. SIZE</td> </tr> </tbody> </table>		BULK PACKED		BULK PACKED		TAPE & REEL PACKED		BULK PACKED		PLATING=TIN Δ		PLATING=GOLD Δ		PLATING=TIN Δ		PLATING=TIN Δ		COLOR=BLACK		COLOR=BEIGE		COLOR=BEIGE		COLOR=BEIGE		#	87427-2492	24	87427-2448	24	#	87427-2432	24	#	87427-2292	22	87427-2248	22	#	87427-2232	22	#	87427-2092	20	87427-2048	20	#	87427-2032	20	#	87427-1892	18	87427-1848	18	#	87427-1832	18	#	87427-1692	16	87427-1648	16	#	87427-1632	16	#	87427-1492	14	87427-1448	14	#	87427-1432	14	#	87427-1292	12	87427-1248	12	#	87427-1232	12	#	87427-1092	10	87427-1048	10	#	87427-1032	10	#	87427-0892	8	87427-0848	8	#	87427-0832	8	#	87427-0692	6	87427-0648	6	#	36633-0010	6	#	87427-0492	4	87427-0448	4	#	36633-0009	4	#	87427-0292	2	87427-0248	2	#	36633-0008	2		ENG. NO.	CKT. SIZE	ENG. NO.	CKT. SIZE	ENG. NO.	CKT. SIZE	ENG. NO.	CKT. SIZE				
BULK PACKED		BULK PACKED		TAPE & REEL PACKED		BULK PACKED																																																																																																																																					
PLATING=TIN Δ		PLATING=GOLD Δ		PLATING=TIN Δ		PLATING=TIN Δ																																																																																																																																					
COLOR=BLACK		COLOR=BEIGE		COLOR=BEIGE		COLOR=BEIGE																																																																																																																																					
#	87427-2492	24	87427-2448	24	#	87427-2432	24																																																																																																																																				
#	87427-2292	22	87427-2248	22	#	87427-2232	22																																																																																																																																				
#	87427-2092	20	87427-2048	20	#	87427-2032	20																																																																																																																																				
#	87427-1892	18	87427-1848	18	#	87427-1832	18																																																																																																																																				
#	87427-1692	16	87427-1648	16	#	87427-1632	16																																																																																																																																				
#	87427-1492	14	87427-1448	14	#	87427-1432	14																																																																																																																																				
#	87427-1292	12	87427-1248	12	#	87427-1232	12																																																																																																																																				
#	87427-1092	10	87427-1048	10	#	87427-1032	10																																																																																																																																				
#	87427-0892	8	87427-0848	8	#	87427-0832	8																																																																																																																																				
#	87427-0692	6	87427-0648	6	#	36633-0010	6																																																																																																																																				
#	87427-0492	4	87427-0448	4	#	36633-0009	4																																																																																																																																				
#	87427-0292	2	87427-0248	2	#	36633-0008	2																																																																																																																																				
	ENG. NO.	CKT. SIZE	ENG. NO.	CKT. SIZE	ENG. NO.	CKT. SIZE	ENG. NO.	CKT. SIZE																																																																																																																																			
	<p>SEE SHEET 1</p> <p>EC NO: UCP2013-112 2012/09/18</p> <p>DRW:BBEE 2012/09/20</p> <p>CHKD:J.BELL 2012/09/20</p> <p>APPR:FSMITH 2012/09/25</p>		<p>QUALITY SYMBOLS</p> <p>$\nabla=0$</p> <p>$\nabla=0$</p> <p>$\nabla=0$</p>		<p>GENERAL TOLERANCES (UNLESS SPECIFIED)</p> <table border="1"> <thead> <tr> <th></th> <th>mm</th> <th>INCH</th> </tr> </thead> <tbody> <tr> <td>4 PLACES</td> <td>\pm ---</td> <td>\pm ---</td> </tr> <tr> <td>3 PLACES</td> <td>\pm ---</td> <td>\pm ---</td> </tr> <tr> <td>2 PLACES</td> <td>\pm 0.20</td> <td>\pm ---</td> </tr> <tr> <td>1 PLACE</td> <td>\pm ---</td> <td>\pm ---</td> </tr> <tr> <td>0 PLACE</td> <td>\pm ---</td> <td>\pm ---</td> </tr> </tbody> </table> <p>ANGULAR \pm ---</p> <p>DRAFT WHERE APPLICABLE MUST REMAIN WITHIN DIMENSIONS</p>			mm	INCH	4 PLACES	\pm ---	\pm ---	3 PLACES	\pm ---	\pm ---	2 PLACES	\pm 0.20	\pm ---	1 PLACE	\pm ---	\pm ---	0 PLACE	\pm ---	\pm ---	<p>DIMENSION STYLE</p> <p>MM ONLY</p> <p>DRAWN BY DATE</p> <p>SAM.C 960401</p> <p>CHECKED BY DATE</p> <p>APPROVED BY DATE</p> <p>FSMITH 2010/10/04</p> <p>MATERIAL NO.</p> <p>SEE CHART</p> <p>SIZE B THIS DRAWING CONTAINS INFORMATION THAT IS PROPRIETARY TO MOLEX INCORPORATED AND SHOULD NOT BE USED WITHOUT WRITTEN PERMISSION</p>		<p>SCALE</p> <p>2:1</p> <p>DESIGN UNITS</p> <p>METRIC</p> <p>THIRD ANGLE PROJECTION</p> <p>TITLE</p> <p>4.2MM W-T-B</p> <p>VERT. HEADER W/O FLANGES</p> <p>MINI-FIT JR</p> <p>molex</p> <p>DOCUMENT NO.</p> <p>SD-87427-***</p> <p>SHEET NO.</p> <p>2 OF 2</p>																																																																																																																
	mm	INCH																																																																																																																																									
4 PLACES	\pm ---	\pm ---																																																																																																																																									
3 PLACES	\pm ---	\pm ---																																																																																																																																									
2 PLACES	\pm 0.20	\pm ---																																																																																																																																									
1 PLACE	\pm ---	\pm ---																																																																																																																																									
0 PLACE	\pm ---	\pm ---																																																																																																																																									
	<p>ib_frame_B_P_AM_T</p> <p>Rev. G 2012/01/11</p>																																																																																																																																										