

## Excellent Integrated System Limited

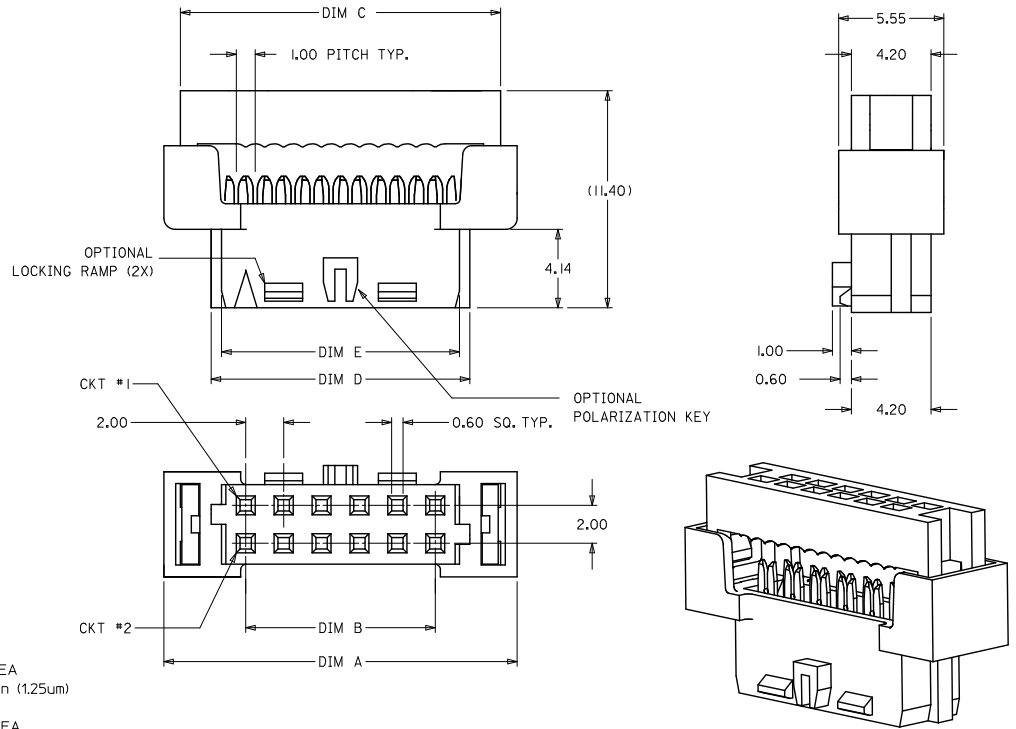
Stocking Distributor

Click to view price, real time Inventory, Delivery & Lifecycle Information:

[Molex Connector Corporation](#)  
[0875681264](#)

For any questions, you can email us directly:

[sales@integrated-circuit.com](mailto:sales@integrated-circuit.com)

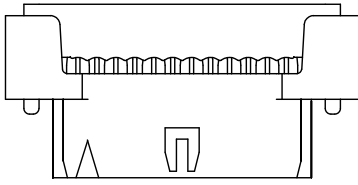


- MATERIALS:**  
HOUSING - PBT, GLASS FILLED UL94V-0 BLACK  
TERMINAL - COPPER ALLOY
- FINISHES**  
PLATING 3 - 15uin (0.38um) SELECTIVE GOLD IN CONTACT AREA AND 75uin (1.88um) TIN IN IDT AREA OVER 50uin (1.25um) NICKEL OVERALL.  
PLATING 4 - 30uin (0.76um) SELECTIVE GOLD IN CONTACT AREA AND 75uin (1.88um) TIN IN IDT AREA OVER 50uin (1.25um) NICKEL OVERALL.  
PLATING 5 - 2uin (0.05um) SELECTIVE GOLD IN CONTACT AREA AND 75uin (1.88um) TIN IN IDT AREA OVER 50uin (1.25um) NICKEL OVERALL.

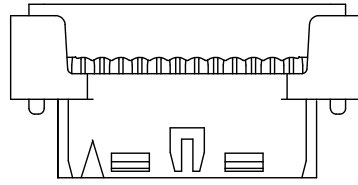
- PRODUCT SPEC PS-87568-004 APPLIES
- FOR ILLUSTRATION PURPOSES, I2 CKT IS SHOWN
- PART MATES WITH ALL MILLIGRID HEADERS WITH MATING LENGTH BETWEEN 2.50mm AND 4.20mm
- PART IS DESIGNED FOR 1.00mm PITCH FLAT CABLE, 7 STRANDS, AWG #28, UL2651 AND UL2678
- ALL OTHER CIRCUIT SIZES, CONTACT FACTORY.
- STRAIN RELIEF TO BE PURCHASED SEPERATELY, REFER TO SD-87569-008

<b>ADD AU FLASH OPTION</b> EC NO. S2011-1004 DRAWN BY: 2011/05/13 CHYKATSEE 2011/06/14 APPR: MLONG 2011/06/14 REV DESCRIPTION	QUALITY SYMBOLS	GENERAL TOLERANCES (UNLESS SPECIFIED)	DIMENSION STYLE	SCALE	DESIGN UNITS	THIRD ANGLE PROJECTION															
	$\nabla=0$ $\nabla=0$ $\nabla=0$	<table border="1"> <thead> <tr> <th></th> <th>mm</th> <th>INCH</th> </tr> </thead> <tbody> <tr> <td>4 PLACES</td> <td>±---</td> <td>±---</td> </tr> <tr> <td>3 PLACES</td> <td>±---</td> <td>±---</td> </tr> <tr> <td>2 PLACES</td> <td>±0.15</td> <td>±---</td> </tr> <tr> <td>1 PLACE</td> <td>±---</td> <td>±---</td> </tr> </tbody> </table>		mm	INCH	4 PLACES	±---	±---	3 PLACES	±---	±---	2 PLACES	±0.15	±---	1 PLACE	±---	±---	MM ONLY	NTS	METRIC	<input checked="" type="checkbox"/> THIRD ANGLE PROJECTION
		mm	INCH																		
	4 PLACES	±---	±---																		
3 PLACES	±---	±---																			
2 PLACES	±0.15	±---																			
1 PLACE	±---	±---																			
	DRAFT WHERE APPLICABLE MUST REMAIN WITHIN DIMENSIONS	DRAWN BY: AGARWAL CHECKED BY: SQUEK APPROVED BY: MLONG DATE: 1997/08/05 DATE: 1997/09/03 DATE: 2009/11/13	TITLE	MGRID 2MM DUAL ROW IDT RECEPTACLE																	
H2		SEE TABLE	MATERIAL NO.	DOCUMENT NO.	MOLEX INCORPORATED SD-87568-003																
		SIZE: A3	THIS DRAWING CONTAINS INFORMATION THAT IS PROPRIETARY TO MOLEX INCORPORATED AND SHOULD NOT BE USED WITHOUT WRITTEN PERMISSION																		

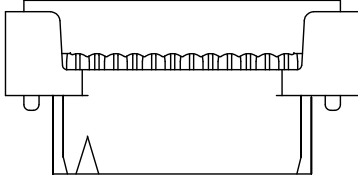
ENGINEERING NUMBER	CKT. SIZE	A	B	C	D	E
87568-10**	10	16.65	8.00	14.90	11.65	10.55
87568-12**	12	18.65	10.00	16.90	13.65	12.55
87568-14**	14	20.65	12.00	18.90	15.65	14.55
87568-16**	16	22.65	14.00	20.90	17.65	16.55
87568-20**	20	26.65	18.00	24.90	21.65	20.55
87568-22**	22	28.65	20.00	26.90	23.65	22.55
87568-24**	24	30.65	22.00	28.90	25.65	24.55
87568-26**	26	32.65	24.00	30.90	27.65	26.55
87568-30**	30	36.65	28.00	34.90	31.65	30.55
87568-32**	32	38.65	30.00	36.90	33.65	32.55
87568-34**	34	40.65	32.00	38.90	35.65	34.55
87568-36**	36	42.65	34.00	40.90	37.65	36.55
87568-40**	40	46.65	38.00	44.90	41.65	40.55
87568-44**	44	50.65	42.00	48.90	45.65	44.55
87568-50**	50	56.65	48.00	54.90	51.65	50.55



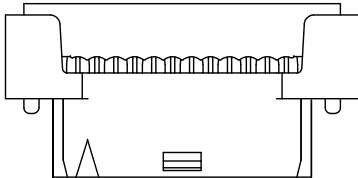
87568-\*\*\*4\*  
POLARIZATION ONLY  
(APPLICABLE FOR 14 TO 50 CKT)



87568-\*\*\*9\*  
POLARIZATION AND RAMP LOCKING  
(APPLICABLE FOR 14 TO 50 CKT)



87568-\*\*\*6\*  
NO POLARIZATION/RAMP FEATURE  
(APPLICABLE FOR 10 TO 50 CKT)



87568-\*\*\*7\*  
SINGLE RAMP LOCKING ONLY  
(APPLICABLE FOR 10 TO 12 CKT)

87568 - \* \* \* \* \*  
CKT. SIZE      PLATING OPTION (SEE NOTE 2)  
POLARIZATION KEY & LOCKING RAMP OPTION

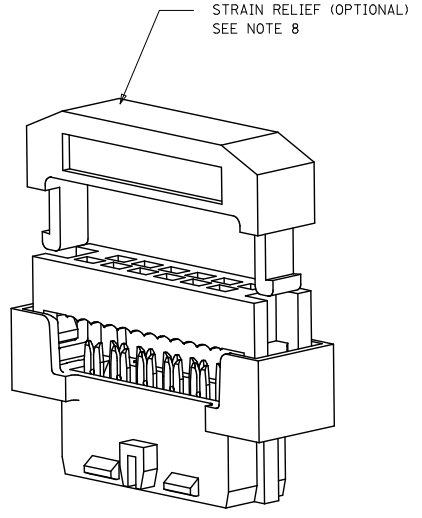
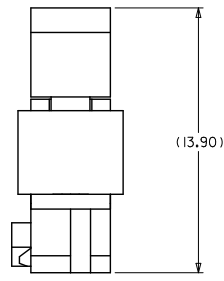
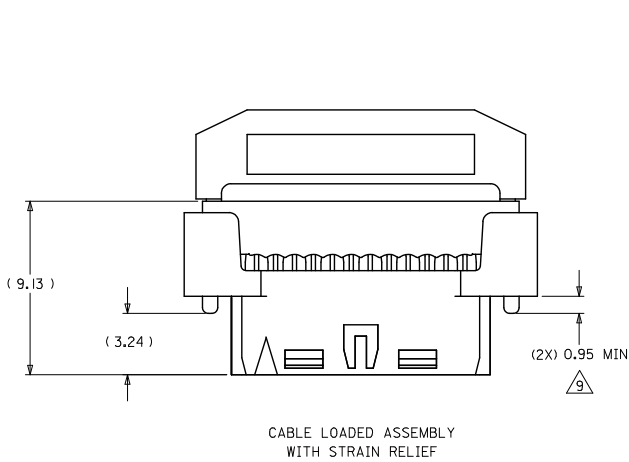
- 4 - WITH POLARIZATION ONLY FOR 14 - 50 CKT
- 6 - WITHOUT POLARIZATION AND RAMP LOCKING
- 7 - WITH SINGLE RAMP LOCKING ONLY FOR 10 & 12 CKT
- 9 - WITH POLARIZATION AND RAMP LOCKING FOR 14 - 50 CKT

10-12 CIRCUIT SIZE HAS ONLY ONE RAMP FOR LOCKING (OPTIONAL)

14-50 CIRCUIT SIZE HAS BOTH POLARIZATION AND RAMP LOCKING (OPTIONAL)

<b>ADD AU FLASH OPTION</b> EC NO: S2011-1004 DRAWN BY: 2011/05/31 CHK/DAT/SEE: 2011/06/14 APPR: MLONG 2011/06/14	QUALITY SYMBOLS	GENERAL TOLERANCES (UNLESS SPECIFIED)	DIMENSION STYLE	SCALE	DESIGN UNITS	THIRD ANGLE PROJECTION
	$\sqrt{\text{V}}=0$ $\sqrt{\text{V}}=0$ $\sqrt{\text{V}}=0$	mm    INCH 4 PLACES ± --- ± --- 3 PLACES ± --- ± --- 2 PLACES ± 0.15 ± --- 1 PLACE ± --- ± --- ANGULAR ± 3°	MM ONLY	NTS	METRIC	MGRID 2MM DUAL ROW IDT RECEPTACLE
	DRAWN BY: AGARWAL    DATE: 1997/08/05 CHECKED BY: SQUEK    DATE: 1997/09/03 APPROVED BY: MLONG    DATE: 2009/11/13	MATERIAL NO.    SEE TABLE DOCUMENT NO.    SD-87568-003	MOLEX INCORPORATED	SHEET NO. 2 OF 3		
	DRAFT WHERE APPLICABLE MUST REMAIN WITHIN DIMENSIONS				THIS DRAWING CONTAINS INFORMATION THAT IS PROPRIETARY TO MOLEX INCORPORATED AND SHOULD NOT BE USED WITHOUT WRITTEN PERMISSION	

10 9 8 7 6 5 4 3 2 1



3D VIEW  
(12 CKT SHOWN FOR ILLUSTRATION ONLY)

NOTES

△ THIS DIMENSION IS TO ENSURE GOOD CABLE TERMINATION.

ADD AU FLASH OPTION EC No: S2011-1004 DRAWN BY: DRWNSKANG CHKD BY: CHKBDATSEE APPR: MLONG	2011/05/31	QUALITY SYMBOLS √=0 ∇=0 ∇=0	GENERAL TOLERANCES (UNLESS SPECIFIED)		DIMENSION STYLE MM ONLY		SCALE NTS	DESIGN UNITS METRIC	THIRD ANGLE PROJECTION		
	2011/06/14			mm	INCH	DRAWN BY AGARWAL	DATE 1997/08/05	TITLE MGRID 2MM DUAL ROW IDT RECEPTACLE	MOLEX INCORPORATED DOCUMENT NO. SD-87568-003 SHEET NO. 3 OF 3		
	2011/06/14			4 PLACES ± --- ± ---	3 PLACES ± --- ± ---	CHECKED BY SQUEK	DATE 1997/09/03				
	REV		DESCRIPTION		2 PLACES ± 0.15 ± ---	1 PLACE ± --- ± ---	APPROVED BY MLONG	DATE 2009/11/13	DRAFT WHERE APPLICABLE MUST REMAIN WITHIN DIMENSIONS SEE TABLE THIS DRAWING CONTAINS INFORMATION THAT IS PROPRIETARY TO MOLEX INCORPORATED AND SHOULD NOT BE USED WITHOUT WRITTEN PERMISSION		

9 8 7 6 5 4 3 2 1