

## Excellent Integrated System Limited

Stocking Distributor

Click to view price, real time Inventory, Delivery & Lifecycle Information:

[Molex Connector Corporation](#)

[0950435896](#)

For any questions, you can email us directly:

[sales@integrated-circuit.com](mailto:sales@integrated-circuit.com)

10 9 8 7 6 5 4 3 2 1

**NOTES :**

**1- MATERIAL :**

**PLUG HOUSING :**

CLEAR POLYCARBONATE

**TERMINALS :**

PHOSPHOR BRONZE PLATED WITH  
(0.00127 MM)/.000050 INCH MIN. GOLD IN  
CONTACT AREA, (0.00127 MM)/.000050 INCH  
MIN. PURE TIN IN PIERCE AREA BOTH OVER  
(0.00127 MM)/.000050 INCH MIN. NICKEL

**SHIELD :**

COPPER ALLOY PLATED WITH (0.00254 MM)/  
.000100 INCH MIN. BRIGHT TIN OVER  
(0.00127 MM)/.000050 INCH MIN. NICKEL

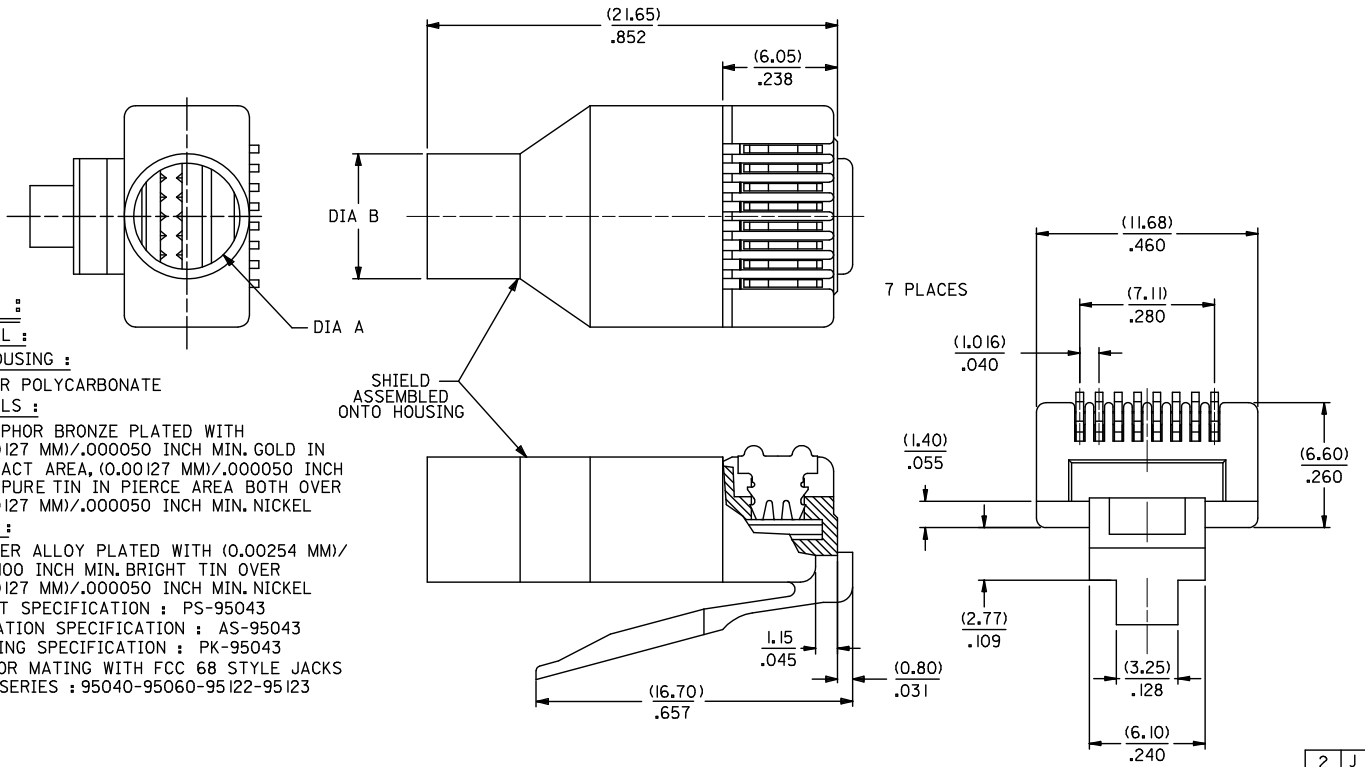
2- PRODUCT SPECIFICATION : PS-95043

3- APPLICATION SPECIFICATION : AS-95043

4- PACKAGING SPECIFICATION : PK-95043

5- PLUG FOR MATING WITH FCC 68 STYLE JACKS

MOLEX SERIES : 95040-95060-95122-95123



2	J
1	K

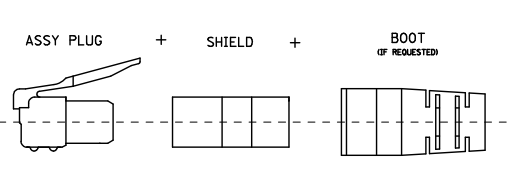
SEE SHEET 2 EC NO: E2009-0512 DRAWING/CARTON 2009/04/17 CHKD: 2009/04/17 APPR: WALLACE 2009/04/17	QUALITY SYMBOLS ▽=0 ▽=0	GENERAL TOLERANCES (UNLESS SPECIFIED) 4 PLACES ± --- ± --- 3 PLACES ± --- ± .010 2 PLACES ± 0.25 ± .014 1 PLACE ± 0.35 ± --- ANGULAR ± 2 °	DIMENSION STYLE MM/IN DRAWN BY DATE CB CHECKED BY DATE TB APPROVED BY DATE FB	SCALE 1:1 DESIGN UNITS METRIC THIRD ANGLE PROJECTION	TITLE SHIELDED MODULAR PLUG 8 POSITION FOR ROUND CABLE MOLEX INCORPORATED	MATERIAL NO. SEE SHEET 2 DOCUMENT NO. SDA-95043 SHEET NO. 1 OF 2
	DRAFT WHERE APPLICABLE MUST REMAIN WITHIN DIMENSIONS					
	THIS DRAWING CONTAINS INFORMATION THAT IS PROPRIETARY TO MOLEX INCORPORATED AND SHOULD NOT BE USED WITHOUT WRITTEN PERMISSION					
	SEE SHEET 2					

9 8 7 6 5 4 3 2 1

10 9 8 7 6 5 4 3 2 1

ASSEMBLY PART NUMBER	TOOLED	CABLE DIAMETER	BOOT		DIM A	DIM B	'MG' MARK	PARTS/UNIT	PACKAGING VERSION	
			COLOR	RAL NBR						
95043-1881	YES	(5.10-5.60)/.200-.220	NO	N/A	N/A	(5.60)/.220	(6.60)/.260	NO	1	A
95043-2881	YES	↑	NO	N/A	N/A	↑	↑	YES	1	A
95043-2891	YES	↑	YES	BLACK	9005	↑	↑	YES	1	A
95043-2892	YES	↑	YES	GREY	7012	↑	↑	YES	1	A
95043-2893	YES	↑	YES	GREEN	6016	↑	↑	YES	1	A
95043-2894	YES	↑	YES	RED	3000	↑	↑	YES	1	A
95043-2895	YES	↑	YES	YELLOW	1021	↑	↑	YES	1	A
95043-2896	YES	↑	YES	BLUE	5015	↑	↑	YES	1	A
95043-3891	YES	↓	YES	BLACK	9005	↓	↓	YES	1000	A
95043-6891	YES	(5.10-5.60)/.200-.220	YES	BLACK	9005	(5.60)/.220	(6.60)/.260	YES	5	B
95043-4881	YES	(5.60-6.20)/.220-.244	NO	N/A	N/A	(6.20)/.244	(7.20)/.283	NO	1	A
95043-5881	YES	↑	NO	N/A	N/A	↑	↑	YES	1	A
95043-5891	YES	↑	YES	BLACK	9005	↑	↑	YES	1	A
95043-5892	YES	↑	YES	GREY	7012	↑	↑	YES	1	A
95043-5893	YES	↑	YES	GREEN	6016	↑	↑	YES	1	A
95043-5894	YES	↑	YES	RED	3000	↑	↑	YES	1	A
95043-5895	YES	↑	YES	YELLOW	1021	↑	↑	YES	1	A
95043-5896	YES	↓	YES	BLUE	5015	↓	↓	YES	1	A
95043-5897	YES	(5.60-6.20)/.220-.244	YES	BLACK	9005	(6.20)/.244	(7.20)/.283	YES	1	C

### SHIELDED PLUG COMPOSITION



ADDED OPTION EC NO: E2009-0512 DRAWING CARTON CHKD: WALLACE APPR: WALLACE REV J	QUALITY SYMBOLS ▽=0 ▽=0	GENERAL TOLERANCES (UNLESS SPECIFIED)		DIMENSION STYLE MM/IN		SCALE 1:1	DESIGN UNITS METRIC	THIRD ANGLE PROJECTION
		4 PLACES ± --- ± --- 3 PLACES ± --- ± .010 2 PLACES ± 0.25 ± .014 1 PLACE ± 0.35 ± --- ANGULAR ± 2 °	DRAWN BY CB CHECKED BY TB APPROVED BY FB	TITLE SHIELDED MODULAR PLUG 8 POSITION FOR ROUND CABLE			MATERIAL NO. SEE CHART	DOCUMENT NO. SDA-95043
DRAFT WHERE APPLICABLE MUST REMAIN WITHIN DIMENSIONS				THIS DRAWING CONTAINS INFORMATION THAT IS PROPRIETARY TO MOLEX INCORPORATED AND SHOULD NOT BE USED WITHOUT WRITTEN PERMISSION				

9 8 7 6 5 4 3 2 1