

## Excellent Integrated System Limited

Stocking Distributor

Click to view price, real time Inventory, Delivery & Lifecycle Information:

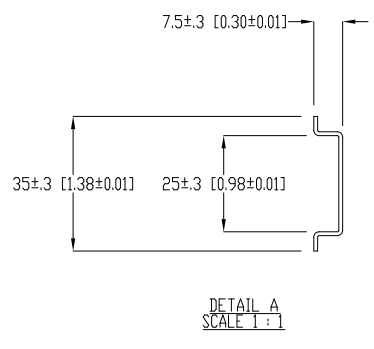
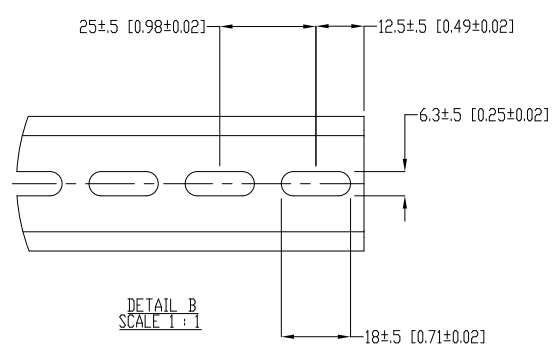
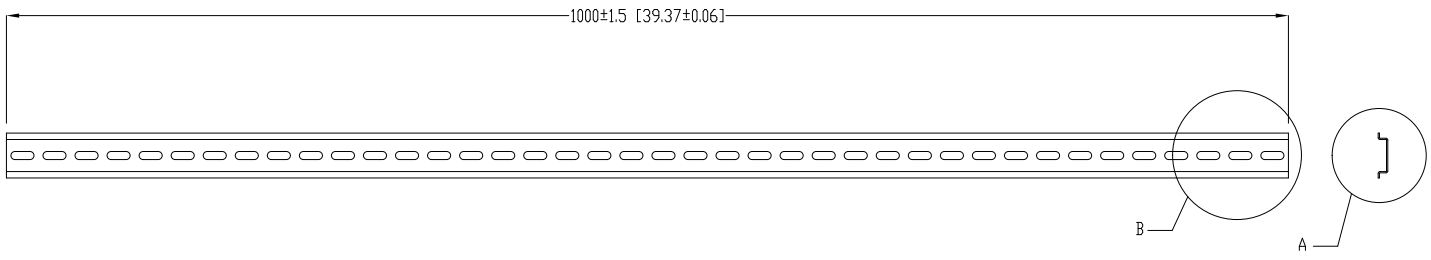
[BUD Industries, Inc.](#)

[DNR-4790](#)

For any questions, you can email us directly:

[sales@integrated-circuit.com](mailto:sales@integrated-circuit.com)

<b>PART NAME</b>	35mm DIN MOUNTING RAIL	<b>PART No.</b>	DNR-4790	<b>REV. DATE</b>	2/28/12
------------------	------------------------	-----------------	----------	------------------	---------



DIMENSIONS ARE MILLIMETER [INCH]  
 MATERIAL - 1.0 [0.039] THK. STEEL  
 FINISH - ZINC PLATED